

SUNON

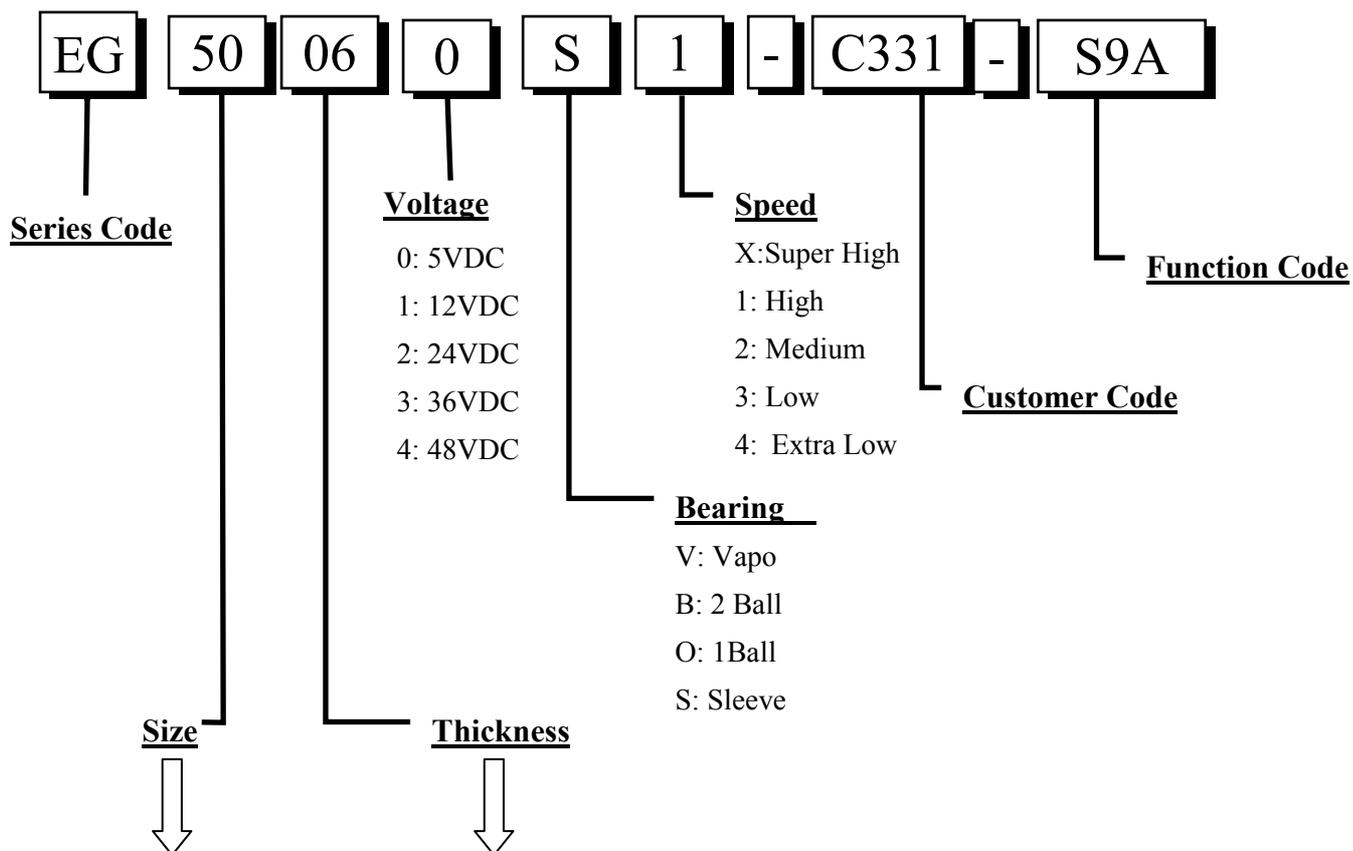
SPECIFICATION FOR APPROVAL

CUSTOMER :
DESCRIPTION : DC BRUSHLESS BLOWER
DIMENSIONS : 96.63X75.66X9.15 mm
M O D E L : EG50060S1-C331-S9A
SUNON SPEC. NO. : D05072130F-00
CUSTOMER :
APPROVAL NO. :
APPROVED BY :
CUSTOMER :
(AUTHORIZED)

DRAWN	Nancy 01/15	CHECKED	Dolphin	APPROVED	Dolphin	SPEC.NO	D05072130F-00
						ISSUE DATE	01. 15. 2020
						EDITION	0
						REVISION DATE	
						E.SPEC	E11900556
建準電機工業股份有限公司 SUNONWEALTH ELECTRIC MACHINE INDUSTRY CO., LTD. NO. 30, LN. 296, XINYA RD., QIANZHEN DIST., TEL:886-7-8135888 KAOHSIUNG CITY 80673, TAIWAN (R.O.C) FAX:886-7-8230505/8230606/8231010 URL:http://www.SUNON.com E-mail: SUNON@email.SUNON.com.tw							



I. MODEL NUMBERING SYSTEM



編碼	尺寸(mm)	編碼	尺寸(mm)	編碼	尺寸(mm)	編碼	尺寸(mm)
01~09	01~09	A0~A9	100~109	K0~K9	200~209	V0~V9	300~309
10~19	10~19	B0~B9	110~119	L0~L9	210~219	W0~W9	310~319
20~29	20~29	C0~C9	120~129	M0~M9	220~229	X0~X9	320~329
30~39	30~39	D0~D9	130~139	N0~N9	230~239	Y0~Y9	330~339
40~49	40~49	E0~E9	140~149	P0~P9	240~249	Z0~Z9	340~349
50~59	50~59	F0~F9	150~159	Q0~Q9	250~259		
60~69	60~69	G0~G9	160~169	R0~R9	260~269		
70~79	70~79	H0~H9	170~179	S0~S9	270~279		
80~89	80~89	I0~I9	180~189	T0~T9	280~289		
90~99	90~99	J0~J9	190~199	U0~U9	290~299		



II. SPECIFICATION

1. MECHANICAL CHARACTERISTIC

MOTOR DESIGN	3 phases, 4-poles Brushless DC motor
BEARING SYSTEM	Lubricated Sleeve Bearing System
DIMENSIONS	See Page 6
MATERIALS OF HOUSING	SECC+Thermoplastic PBT of UL 94V-0
MATERIALS OF COVER	SUS430-1D(霧面)
MATERIALS OF FAN BLADE	Thermoplastic LCP of UL 94V-0
DIRECTION OF ROTATION	Counter-clockwise viewed from front of fan blade
MOUNTING HOLES	Diameter 3.5 mm in 1 hole; 1.6 mm in 1 hole; 2.4 mm in 1 hole
WEIGHT	44 g

2. ELECTRIC CHARACTERISTIC

RATED VOLTAGE	5 VDC	2.2 VDC
RATED CURRENT	380 mA / MAX. 418 mA	150 mA / MAX.165 mA
RATED POWER CONSUMPTION	1.90 WATTS / MAX. 2.09 WATTS	0.33 WATTS / MAX. 0.37 WATTS
OPERATING VOLTAGE RANGE	2.2~5 VDC	
STARTING VOLTAGE	2.2 VDC (25 deg. C POWER ON/OFF)	
OPERATING TEMPERATURE RANGE	-10 to + 70 deg. C	
STORAGE TEMPERATURE RANGE	-40 to + 70 deg. C	



3. PERFORMANCE CHARACTERISTIC

RATED VOLTAGE	5 VDC	2.2 VDC
RATED SPEED	4800 RPM ±7% at rated voltage	2600 RPM ±10% at rated voltage
AIR FLOW	5.7 CFM / MIN. 5.0 CFM	3.0 CFM / MIN. 2.6 CFM
STATIC PRESSURE	0.63 Inch-H₂O / MIN. 0.50 Inch-H₂O	0.16 Inch-H₂O / MIN. 0.11 Inch-H₂O
ACOUSTIC NOISE	44.4 dB(A) / MAX. 48.5 dB(A) @0.5M 38.4 dB(A) / MAX. 42.4 dB(A) @1M	24.3 dB(A) / MAX. 28.2 dB(A) @0.5M 18.3 dB(A) / MAX. 22.1 dB(A) @1M
AIR FLOW V.S. PRESSURE	See Page 5	
INSULATION CLASS	UL Class A	
INSULATION RESISTANCE PLASTIC HOUSING	10M ohm at 500 VDC between internal stator and lead wire (+)	
DIELECTRIC STRENGTH	Applied AC 500 V for one minute or AC 600 V for 2 Seconds between housing and lead wire (+)	
LIFE EXPECTANCY	35,000 Hours at 40 deg. C, 65% humidity, 90% CL.	
PROTECTION	<input checked="" type="checkbox"/> Automatic Restart Note: The motor will shut down when rotor was locked, then auto restart within 10 seconds.	
	<input type="checkbox"/> Polarity Protection	

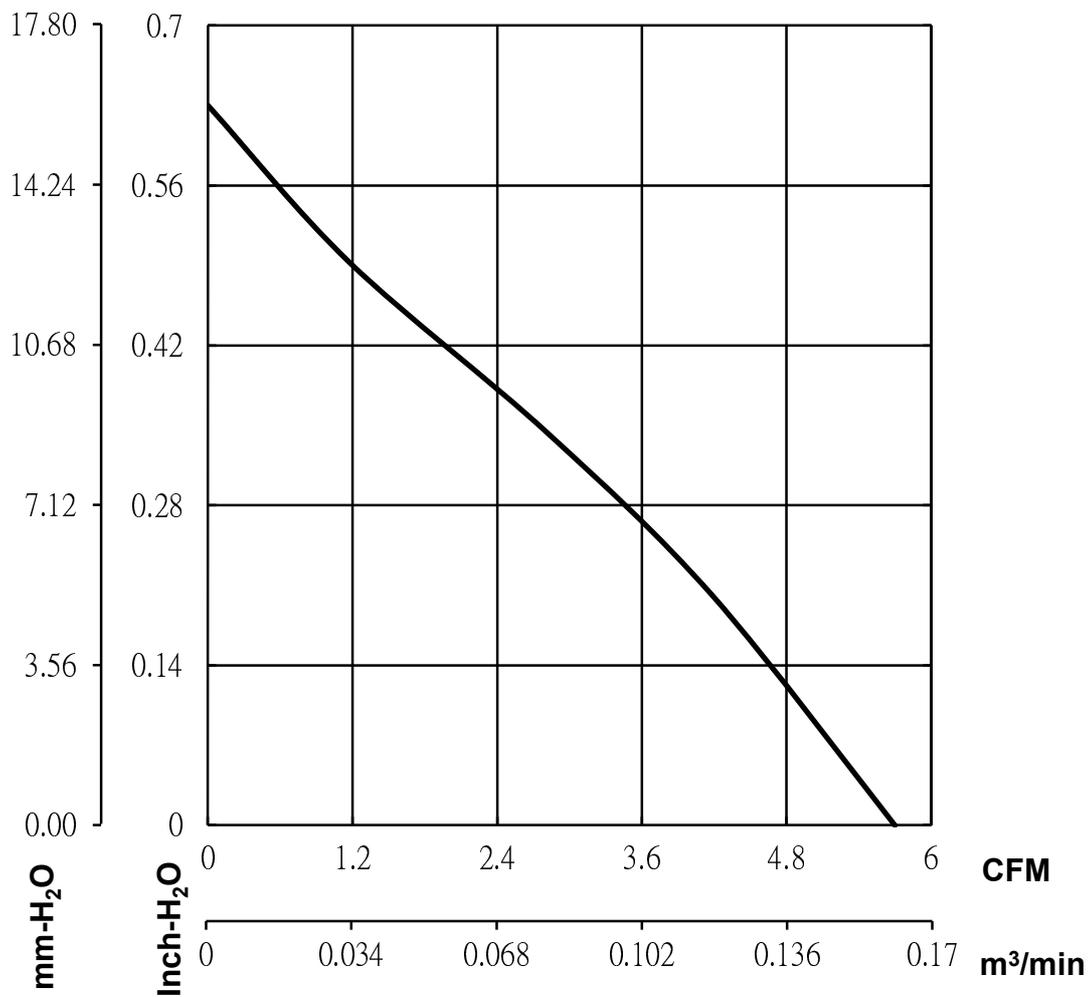
4. SAFETY

SAFETY	UL	CUR	TUV	CE	CSA
NO.	E77551	E77551	✓	✓	✓

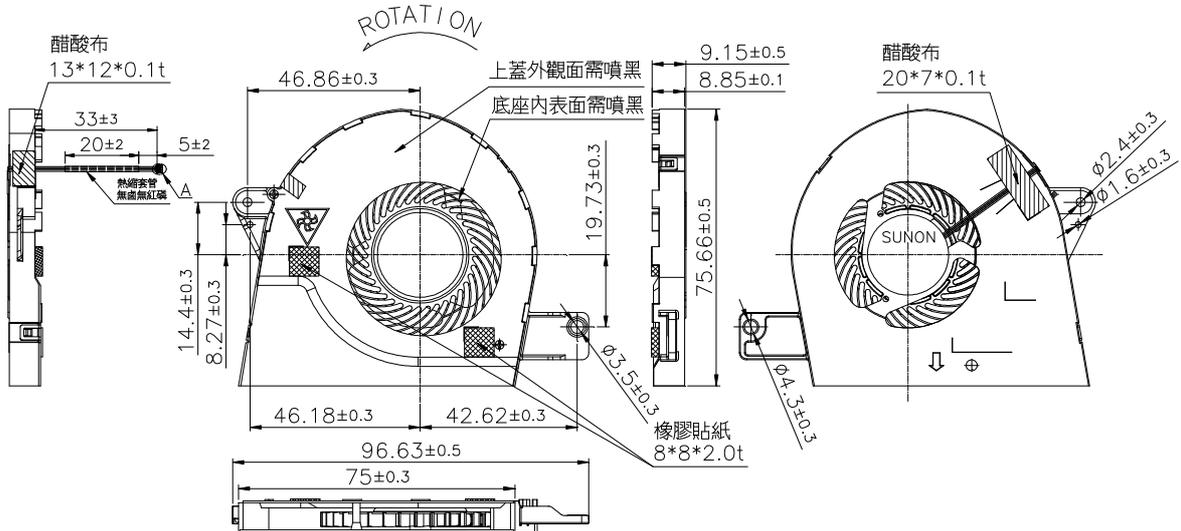


MODEL : EG50060S1-C331-S9A

AIR FLOW & STATIC PRESSURE CURVE



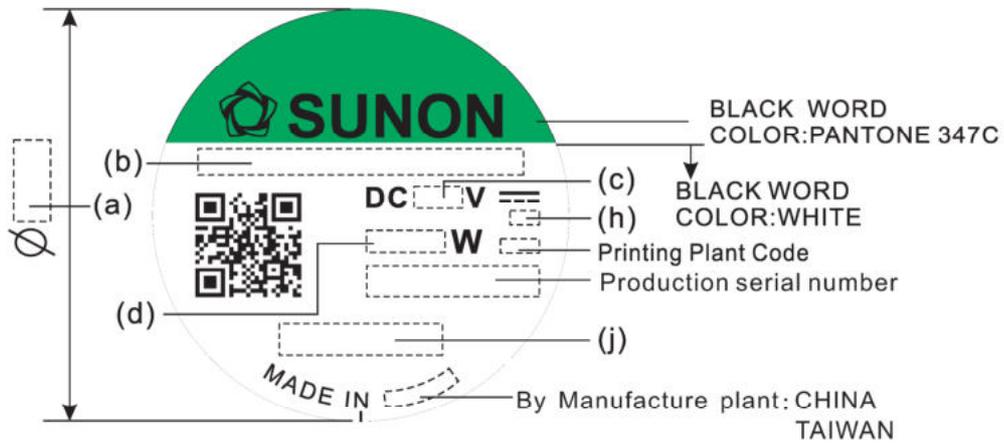
DIMENSIONS



DETAIL A

UNIT: mm

LABEL



(a)Dimension	(b)Model Name	(c)Voltage	(d)Power Consumption	(h)Protection
22	EG50060S1-C331-S9A	5	1.90	EP

(j)Safety
TCV/UL + CUR/CSA

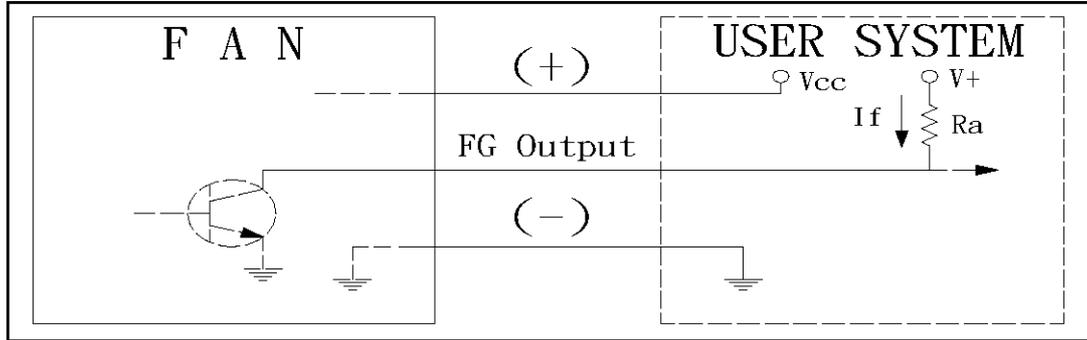
1.English font type: Swis721 Series & Switzerland Narrow, Chinese font type: 建準電機中切簡體.

2.Safety(TUV/UL+CUR/CSA)

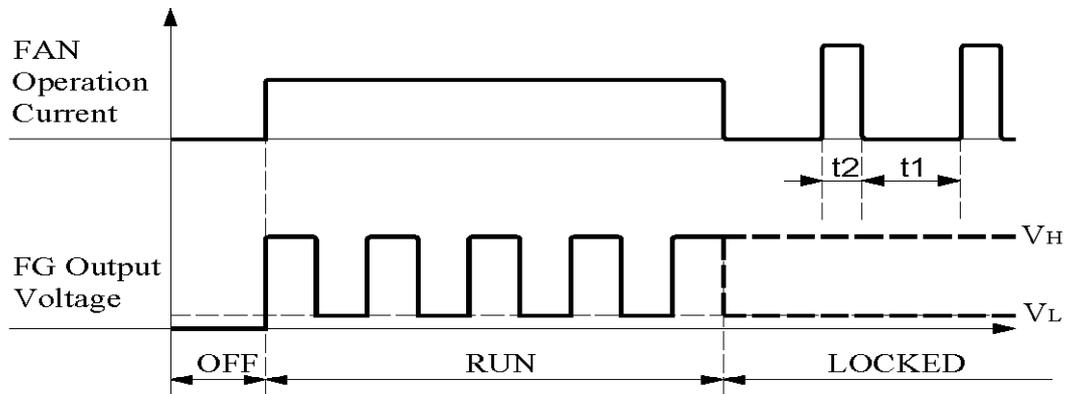


FAN 3rd WIRE SIGNAL

F Type (Frequency Generator)

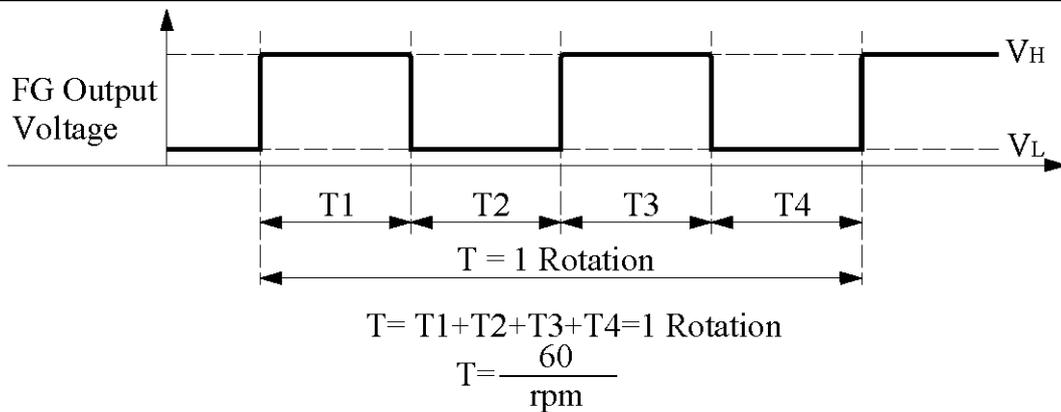


$$*Ra \geq V^+ / If(\max)$$

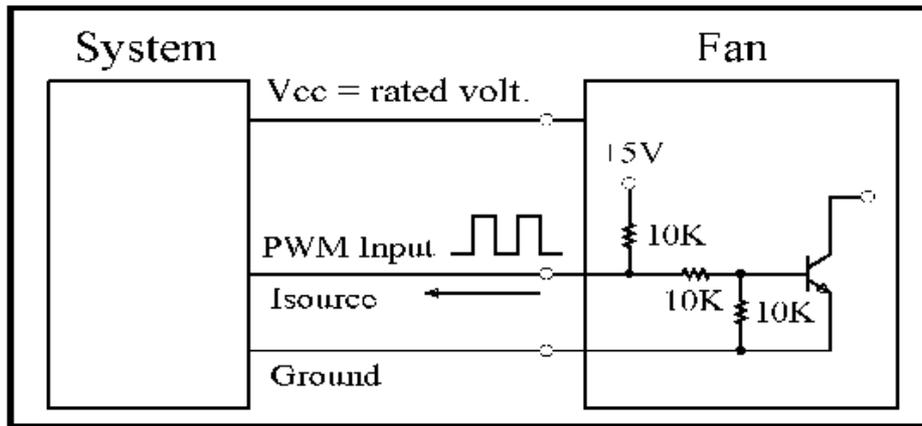


★Electrical Characteristics : (at Ta = 25°C) Vcc = 5V±10%

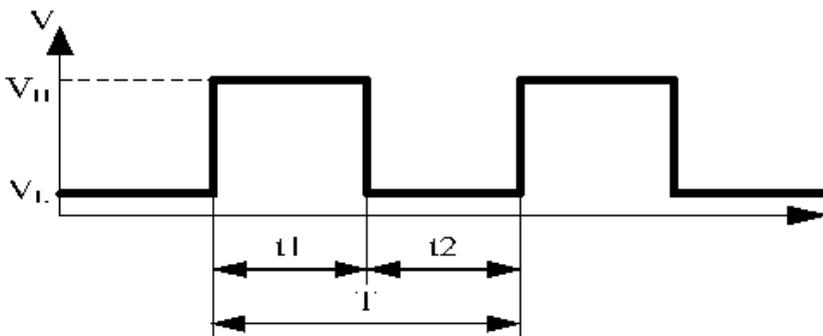
Parameter	Ratings			Unit
	min	typ.	max	
FG Supply Voltage(V+)	2.5	V+	Vcc	Voltage
FG Output Current (If)	--	--	10	mA
FG Output (VL)	--	--	0.3	Voltage
FG Output (VH)	--	V+	--	Voltage
Ratio(=t1/t2)	--	2.5	--	



PWM INPUT SIGNAL



★PWM INPUT WAVEFORM



1. Period :
$$T = \frac{1}{f_{pwm}} = t_1 + t_2(\text{sec})$$

2. Duty Cycle (D.C.) :
$$\frac{t_1}{t_1 + t_2} * 100 = \frac{t_1}{T} * 100(\%)$$

3. PWM Duty Cycle VS Speed (at $T_a = 25^\circ\text{C}$, $V_{cc} = V$, $f_{pwm} = 25\text{KHz}$)

PWM Duty Cycle (%)	FAN speed (R.P.M.) (REF.)
30	2100±10%
100	4800±7%

★Electrical Characteristics : (at $T_a = 25^\circ\text{C}$, $V_{cc} = V$.)

Parameter	Min	Typical	Max	Unit
f pwm	-	25K	-	Hz
V_H	2.3	-	5.5	V
V_L	0	-	0.8	V
Isource	0	-	5	mA
D.C.	30	-	100	%

* The speed is default to be maximum if PWM input pin is unconnected.

* Min. start up duty cycle is 30%. Please don't apply 1 ~ 29% duty cycle to prevent unstable fan speed.

【FOR REFERENCE】

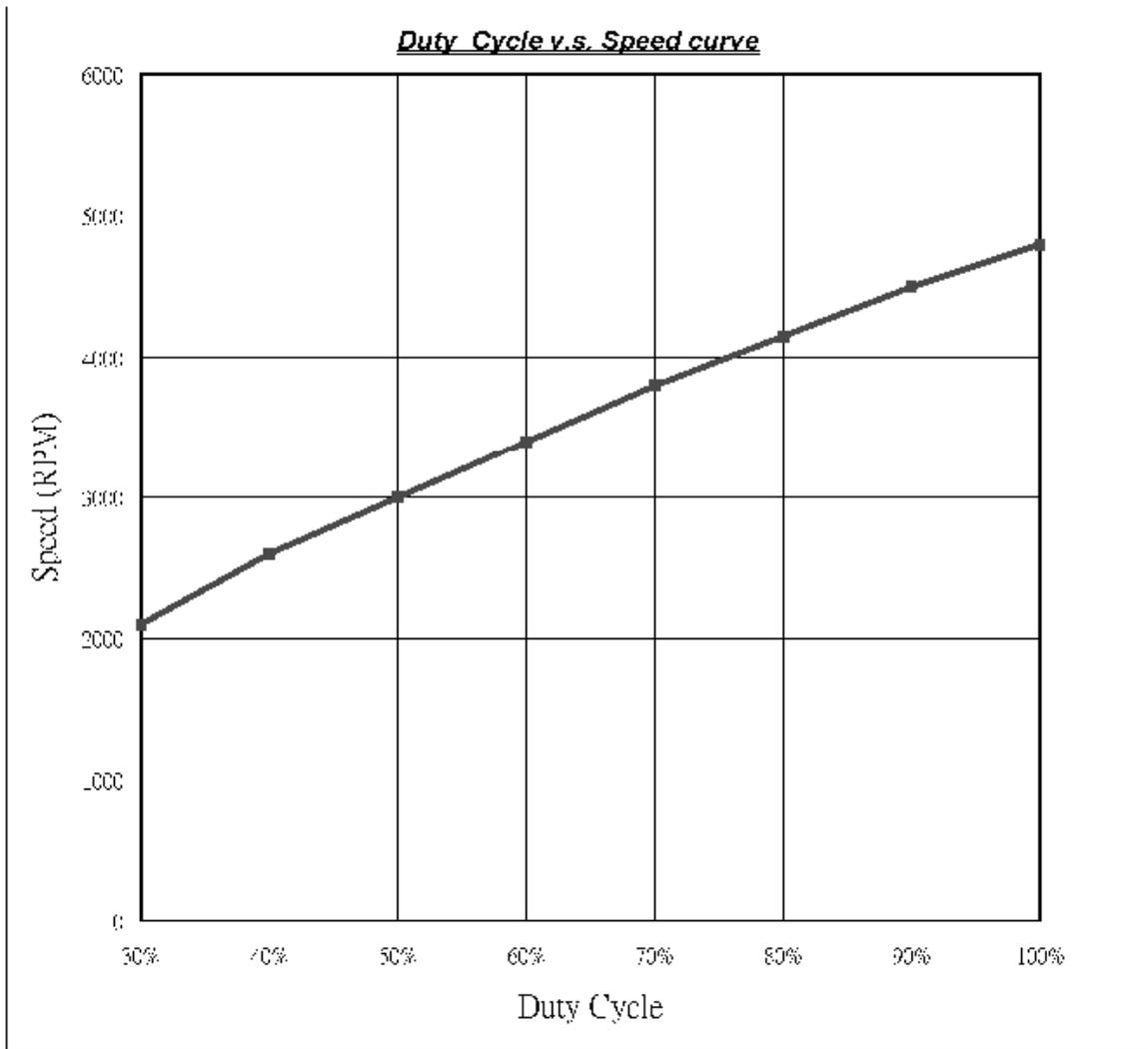
DUTY CYCLE & SPEED CURVE

MODEL: EG50060S1-C330-S9A

■ Duty Cycle v.s. Speed curve @ Vcc= rated volt.

PWM控制頻率: 25K Hz

Duty Cycle	30%	40%	50%	60%	70%	80%	90%	100%
Typ.	2100	2600	3000	3400	3800	4150	4500	4800



III. OTHER SPECIFIED TESTING

The following is a general description of certain tests that are performed on representative SUNON fans. Nothing in this document is intended to suggest that these tests are performed on every model of SUNON fan. Moreover, the descriptions that follow each test are meant only to provide a general explanation of each test. If you would like a more detailed explanation as to any test identified in this Section, SUNON can provide such an explanation upon request.

1. DROP PROOF TEST

Fans are packaged in a standard size shipping box and are dropped to the ground from certain heights and angles depending on the weight of the particular box.

2. HUMIDITY PROOF TEST

The fan is operated for 96 continuous hours in an environment with humidity of 90% to 95% RH at $60^{\circ}\text{C} \pm 2^{\circ}\text{C}$.

3. VIBRATION PROOF TEST

Vibration with an amplitude 2mm and a frequency of 5-55-5hz is applied in all 3 directions (X,Y,Z), in cycles of 1 hour each, for a total vibration time of 3hours.

4. THERMAL CYCLING TEST

The fan is operated in a testing chamber for 50 cycles. In each cycle, the temperature is gradually increased from -10°C to 70°C for 90 minutes, and subsequently operated at 70°C for 120 minutes. The temperature is then gradually decreased from 70°C to -10°C for 90 minutes, and subsequently operated at -10°C for 120 minutes.

5. SHOCK PROOF TEST

100G of force is applied in the 3 directions (X,Y, and Z) for 2 milliseconds each.

6. LIFE EXPECTANCY

The “Life Expectancy” of SUNON fans is determined in SUNON’s reliability test laboratory by using temperature chambers. The “Life Expectancy” of this fan has not been evaluated for use in combination with any end application. Therefore, the Life Expectancy Test Reports (L10 and MTTF Report) that relate to this fan are only for reference.

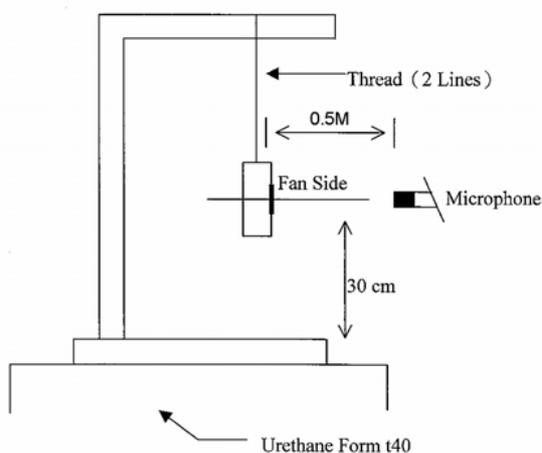


IV. CHARACTERISTIC DEFINITION

The following is a general description of certain tests that are performed on representative SUNON fans in order to determine the specifications of the fan. Nothing in this document is intended to suggest that these tests are performed on every model of SUNON fan. Moreover, the descriptions that follow each test are meant only to provide a general explanation of each test. If you would like a more detailed explanation as to any test identified in this Section, SUNON can provide such an explanation upon request.

1. ACOUSTICAL NOISE

Measured in a semi-anechoic chamber with background noise level below 15dB(A).



0.5 METER FROM MICROPHONE TO FAN INTAKE

The fan is running in free air under shaft horizontal condition with the microphone at distance of 0.5 meter from the fan intake.

2. INPUT POWER

Measured after continuous 10 minute operation at rated voltage in clean air (STATIC PRESSURE=0), and at ambient temperature of 25 degrees C under shaft horizontal condition.

3. RATED CURRENT

Measured after continuous 10 minute operation at rated voltage in clean air (STATIC PRESSURE=0), and at ambient temperature of 25 degrees C under shaft horizontal condition.

4. RATED SPEED

Measured after continuous 10 minute operation at rated voltage in clean air (STATIC PRESSURE=0), and at ambient temperature of 25 degrees C under shaft horizontal condition.

5. STARTING VOLTAGE

Measured the voltage which enables to start the fan in the clean air (static pressure = 0) by switching on at the voltage under shaft horizontal condition. It is not at continuously increasing voltage adjustment.

6. LOCKED ROTOR CURRENT

Measured immediately after the fan blade is locked.

7. AIR FLOW AND STATIC PRESSURE

The performance specification of air flow and static pressure shown in this specification for approval is measured using the exhaust method. A double chamber is used in accordance with AMCA 210 standard or DIN 24163 specification . The values are recorded when the fan speed has stabilized at rated voltage.

8. INSULATION RESISTANCE

1. PLASTIC HOUSING:

- (1) Measured between internal stator and lead wire(+).
- (2) Measured between housing and lead wire(+).

2. ALUMINIUM HOUSING:

Measured between internal stator and lead wire(+).

9. DIELECTRIC STRENGTH

Measure between housing and lead wire(+).



V. TESTING PROCEDURES

The following is a general description of the life testing procedures performed on certain representative SUNON fans. Nothing in this document is intended to suggest that these life tests are performed on every model of SUNON fan. Moreover, the descriptions that follow are meant only to provide a general explanation of SUNON's life testing procedure. If you would like a more detailed explanation as to SUNON's life testing procedure, SUNON can provide such an explanation upon request.

1. Life Expectancy Testing Procedure

STEP 1 : Twenty to fifty samples are randomly chosen from the production line.

STEP 2 : Each sample is numbered and the performance characteristics of each sample is measured. Characteristics that are measured include: speed (RPM); starting voltage; rated voltage; electric current (AMP); power consumption (WATTS); noise level (dB(A)); insulation resistance; and vibration.

STEP 3 : Each sample is placed in a temperature/humidity chamber, which is set at a certain temperature. Each fan is connected to a power supply and mounted with the fan shaft in a horizontal position.

STEP 4 : The fans are monitored by daily to determine whether any of the samples have failed.

STEP 5 : The testing will be conducted continuously for at least ninety (90) days, unless otherwise requested by a customer.

REMARKS :

1. All samples are measured before, during and after testing.
2. All samples are measured when the shaft is in a horizontal position at rated voltage in clear air.
3. To obtain a confidence level 90% for results of the testing, we check CHIP-SQUARE table in order to calculate MTBF.

2. THE CRITERION OF FAILURE:

If any of the following conditions are present, the fan shall be rejected as non-compliant.

1. When speed degrades more than 15 percent of initial speed.
2. When strange sounds or detectable vibrations are detected.
3. When dielectric strength fails to meet the specific specification.
4. When samples stop running.
5. When electric current or power consumption exceeds more than 15 percent of initial data.



VI.NOTE

I .SAFETY

1. DO NOT use or operate this fan in excess of the limitations set forth in this specification. SUNON is not be responsible for the non-performance of this fan and/or any damages resulting from its use, if it is not used or operated in accordance with the specifications.
2. SUNON recommends adding a protection circuit to the product or application in which this fan is installed, such as a thermo-fuse, or current-fuse or thermo-protector. The failure to use such a device may result in smoke, fire, electric shock by insulation degradation in cases of motor lead short circuit, overload, or over voltage, and/or other failure.
3. SUNON recommends installing a protection device to the product or application in which this fan is installed if there is a possibility of reverse-connection between VDC (+) and GND (-). The failure to install such a device may result in smoke, fire, and/or destruction, although these conditions may not manifest immediately.
4. This fan must be installed and used in compliance with all applicable safety standards and regulations.
5. Use proper care when handling and/or installing this fan. Improper handling or installation of this fan may cause damage that could result in unsafe conditions.
6. Use proper care during installation and/or wiring. Failure to use proper care may cause damage to certain components of the fan including, but not limited to, the coil and lead wires, which could result in smoke and/or fire.
7. DO NOT use power or ground PWM to control the fan speed. If the fan speed needs to be adjusted, please contact SUNON to customize the product design for your application.
8. For critical or extreme environments, including non stop operation, please contact SUNON and we will gladly provide assistance with your product selection to ensure an appropriate cooling product for your application.



II. SPECIFICATION MODIFICATION

1. SUNON offers engineering assistance on fan installation and cooling system design.
2. All changes, modifications and/or revisions to the specifications, if any, are incorporated in the attached specifications.
3. No changes, modifications and/or revisions to these specifications are effective absent agreement, by both SUNON and the customer, in writing.
4. This fan will be shipped in accordance with the attached specification unless SUNON and the customer have agreed otherwise, in writing, as specified in Paragraph 3, above.

III. OTHER

1. When building your device, please examine thoroughly any variation of EMC, temperature rise, life data, quality, etc. of this product by shock/drop/vibration testing, etc. If there are any problems or accidents in connection with this product, it should be mutually discussed and examined.
2. Use proper care when handling this fan. Components such as fan holders or bearings may be damaged, if touched with fingers or other objects. Additionally, static electricity (ESD) may damage the internal circuits of the fan.
3. DO NOT operate this fan in proximity to hazardous materials such as organic silicon, cyanogens, formalin, phenol, or corrosive gas environments including, but not limited to, H₂S, SO₂, NO₂, or Cl₂.
4. SUNON recommends that you protect this fan from exposure to outside elements such as dust, condensation, humidity or insects. Exposure of this fan to outside elements such as dust, condensation, humidity or insects may affect its performance and may cause safety hazards. SUNON does not warrant against damage to the product caused by outside elements.
Re: The term can be excluded, if the fan has been with IP design and meets customer's IP requirement.



5. This fan must be installed properly and securely. Improper mounting may cause harsh resonance, vibration, and noise.
6. Fan guards may prevent injury during handling or installation of the fan and are available for sale with this fan.
7. Unless otherwise noted, all testing of this fan is conducted at 25°C ambient temperature and sixty-five percent (65%) relative humidity.
8. DO NOT store this fan in an environment with high humidity. This fan must be stored in accordance with the attached specifications regarding storage temperature. If this fan is stored for more than 6 months, SUNON recommends functional testing before using.
9. SUNON reserves the right to use components from multiple sources at its discretion. The use of components from other sources will not affect the specifications as described herein.
10. The “Life Expectancy” of this fan has not been evaluated for use in combination with any end application. Therefore, the Life Expectancy Test Reports (L10 and MTTF Report) that relate to this fan are only for reference.

VII. WARRANTY

This fan is warranted against all defects which are proved to be fault in our workmanship and material for three years after selling to user not Compal or Dell. The sole responsibility under the warranty shall be limited to the repair of the fan or the replacement thereof, at SUNON’s sole discretion. SUNON will not be responsible for the failures of its fans due to improper handling, misuse or the failure to follow specifications or instructions for use. In the event of warranty claim, the customer shall immediately notify SUNON for verification. SUNON will not be responsible for any consequential damage to the customer’s equipment as a result of any fans proven to be defective.



Declaration of Restricted Materials

Control declaration of environment- related substances/ materials

1. In accordance with the Restriction of Hazardous Substances (RoHS) Directive 2011/65/EU and specific market requirements, SUNON Halogen-Free Product have complied with law and discipline not to employ the forbidden substances, and restrict the allowable concentration of some limited substances deliberately in our components.

No	Substance	Criteria	
1	CFCs & HCFCs (ozone depleting substances)	Forbidden	
2	Chlorinated Organic Solvent	Forbidden	
3	Lead and its compounds	Plastic (Frame, Impeller, wire harness, etc.)	<100ppm
		Solder	<1000ppm
		Steel alloy	<3500ppm
		Aluminium alloy	<4000ppm
		Copper alloy	<4wt%
4	Cadmium and its compounds	Solder	<20ppm
		Parts composed of metals containing zinc (e.g. brass, zinc for die casting)	<100ppm
		Plastic	<5ppm
5	PBBs and PBDEs	Forbidden	
6	PCB and PCT	Forbidden	
7	CP, Short-chain Chlorinated paraffins C10-13, Cl ≥48 wt%	Forbidden	
8	Mirex	Forbidden	
9	PCN	Forbidden	
10	Hexavalent Chromium compounds	<100ppm	
11	Mercury and its compounds	Forbidden	
12	Asbestos	Forbidden	
13	Organic Tin compounds	Forbidden	
14	Azo compounds	Forbidden	
15	TBBP-A in external case plastic parts of products (PCB is exempted)	<1000ppm	
16	Nickel in external case parts, which are likely to result in prolonged skin exposure	<1000ppm	
17	Hexabromocyclododecane (HBCDD)	<1000ppm	
18	Di-butyl Phthalate (DBP)	<1000ppm	
19	Benzyl butyl Phthalate (BBP)	<1000ppm	
20	Di-ethylhexyl Phthalate (DEHP)	<1000ppm	
21	Di-isobutyl Phthalate (DIBP)	<1000ppm	
22	Brominated/chlorinated flame retardants (other than PBBs or PBDEs), applicable item: frame, bobbin, impeller, lear wire, connector, mylar insulator.	Br<900ppm Cl<900ppm Br+Cl<1500ppm	
23	PAHs and its 16 compounds in unusual contact material	BaP < 20ppm Total <200ppm	
24	PCB and electroplating material, PFOS content complianced with 2006/122/EC	PFOS ≤1000ppm; coating material PFOS ≤ 1μg/m ²	

