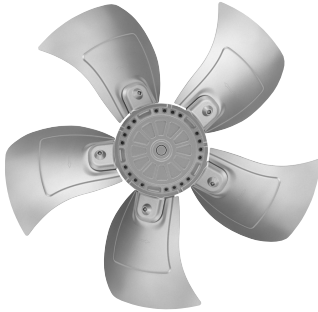


W4E500-DD03-02

AC axial fan with full square nozzle

sickled blades (S series)



ebm-papst Mulfingen GmbH & Co. KG

Bachmühle 2

74673 Mulfingen

Phone: +49 7938 81-0

Fax: +49 7938 81-110

www.fansco.com

sales@fansco.com

Nominal data

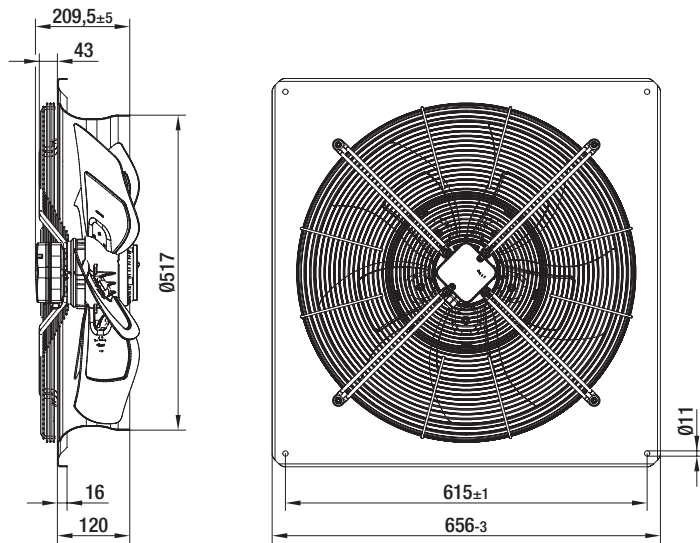
Type	W4E500-DD03-02	
Motor	M4E110-GF	
Phase		1~
Nominal voltage	[V]	230
Frequency	[Hz]	50
Type of data definition		ml
Valid for approval / standard		CE
Speed	[min ⁻¹]	1270
Power input	[W]	760
Current draw	[A]	3,33
Motor capacitor	[µF]	14
Capacitor voltage	[VDB]	400
Max. back pressure	[Pa]	130
Max. ambient temperature	[°C]	60
Air flow	[m ³ /h]	9680
Back pressure	[Pa]	0

ml = max. load · me = max. efficiency · rfa = running at free air · cs = customer specs · cu = customer unit
Subject to alterations

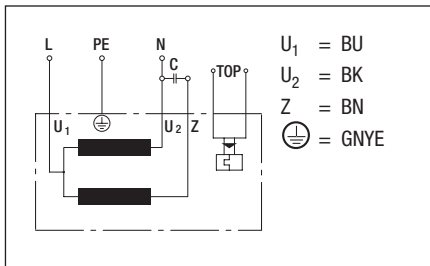
Technical features

General description	Blade angle 0°
Size	500 mm
Operation mode	Continuous operation (S1)
Direction of rotation	Clockwise, seen on rotor
Electrical leads	Via terminal box, integrated capacitor connected via terminal box
Direction of air flow	"A"
Insulation class	"F"
Cable exit	Axial
Bearing motor	Ball bearing
Mass	21 kg
Material of electronics housing	Rotor: Cast in aluminum
Material of impeller	Aluminum sheet
Motor protection	Thermal overload protector (TOP) brought out
Product conforming to standard	CE
Number of blades	5
Type of protection	IP 54
Protection class	I
Approval	GOST; VDE

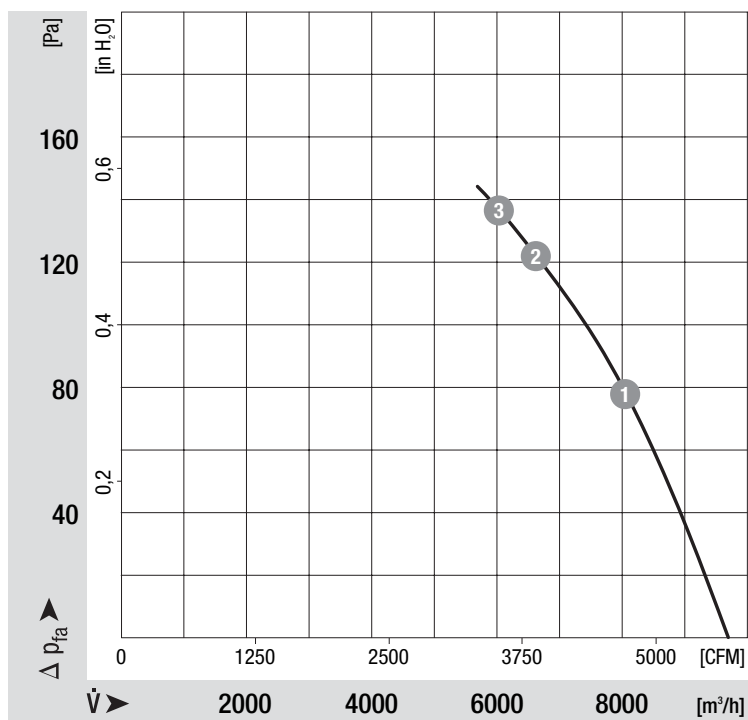
Product drawing



Connection screen



Charts: Air flow 50 Hz



Measured values

	n	P ₁	I
	[min ⁻¹]	[W]	[A]
1	1305	710	3.13
2	1285	750	3.28
3	1270	760	3.30