

W4E450-IG01-01

AC axial fan

sickled blades (S series)



ebm-papst Mulfingen GmbH & Co. KG

Bachmühle 2

74673 Mulfingen

Phone: +49 7938 81-0

Fax: +49 7938 81-110

www.fansco.com

sales@fansco.com

Nominal data

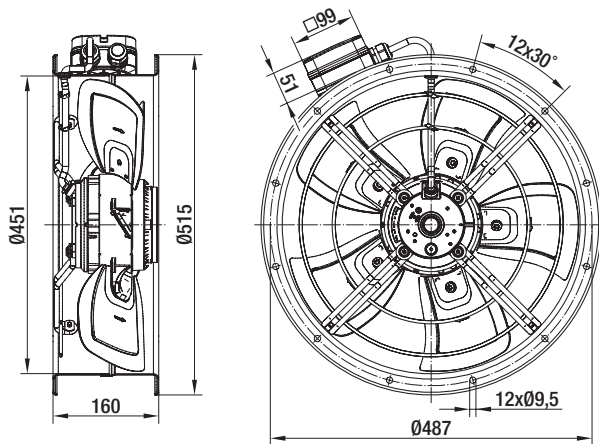
Type	W4E450-IG01-01		
Motor	M4E110-EF		
Phase		1~	1~
Nominal voltage	[V]	230	230
Frequency	[Hz]	50	60
Type of data definition		ml	ml
Valid for approval / standard		CE	CE
Speed	[min ⁻¹]	1330	1410
Power input	[W]	500	720
Current draw	[A]	2.2	3.15
Motor capacitor	[μF]	10	10
Capacitor voltage	[VDB]	400	400
Max. back pressure	[Pa]	100	110
Max. ambient temperature	[°C]	80	50

ml = max. load · me = max. efficiency · rfa = running at free air · cs = customer specs · cu = customer unit
Subject to alterations

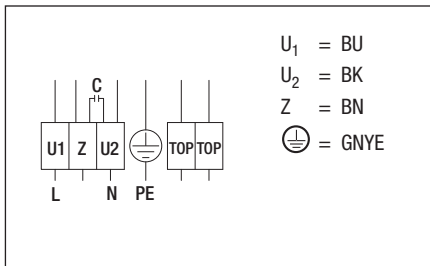
Technical features

Leakage current	<= 3,5 mA
Size	450 mm
Operation mode	Continuous operation (S1)
Direction of rotation	Counter-clockwise, seen on rotor
Electrical leads	Via terminal box, integrated capacitor connected via terminal box
Direction of air flow	"V"
Insulation class	"F"
Cable exit	Variable
Bearing motor	Ball bearing
Mass	14.5 kg
Material of electronics housing	Rotor: Cast in aluminum
Material of impeller	Aluminum sheet
Motor protection	Thermal overload protector (TOP) brought out
Product conforming to standard	CE
Number of blades	5
Type of protection	IP 54
Protection class	I

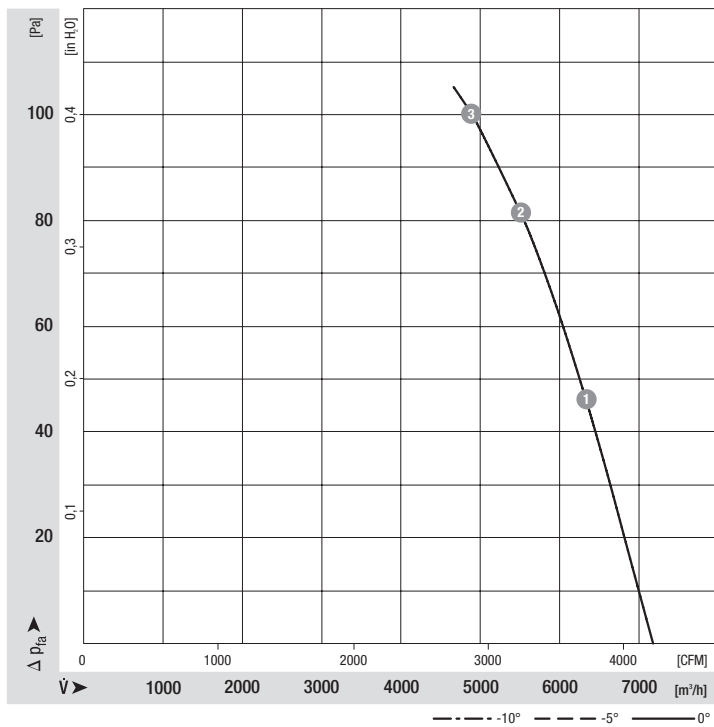
Product drawing



Connection screen



Charts: Air flow



Measured values

	n	P₁	I	LpA_{ss}	LwA_{ss}
	[min ⁻¹]	[W]	[A]	[dB(A)]	[dB(A)]
1	1360	460	2.00		76
2	1340	480	2.10		77
3	1330	500	2.20	78	