

W3G250-CD54-01

## EC axial fan

sickled blades (S series)

with full round nozzle



**ebm-papst Mulfingen GmbH & Co. KG**

Bachmühle 2

74673 Mulfingen

Phone: +49 7938 81-0

Fax: +49 7938 81-110

[www.fansco.com](http://www.fansco.com)

[sales@fansco.com](mailto:sales@fansco.com)

### Nominal data

Type	W3G250-CD54-01	
Motor	M3G074-CF	
Nominal voltage	[VAC]	230
Nominal voltage range	[VAC]	200 .. 277
Frequency	[Hz]	50/60
Speed	[min <sup>-1</sup> ]	3050
Power input	[W]	170
Current draw	[A]	1.25
Max. ambient temperature	[°C]	60

ml = max. load · me = max. efficiency · rfa = running at free air · cs = customer specs · cu = customer unit  
Subject to alterations

# EC axial fan

sickled blades (S series)

with full round nozzle

## Technical features

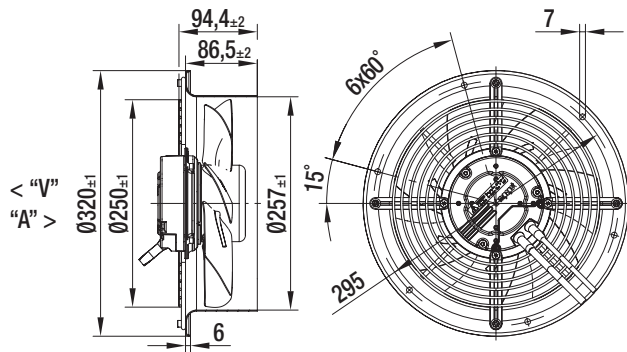
<b>General description</b>	Integrated electronics
<b>Size</b>	250 mm
<b>Operation mode</b>	Continuous operation (S1)
<b>Direction of rotation</b>	"A"
<b>Mounting position</b>	Shaft horizontal or rotor on bottom; rotor on top on request
<b>Insulation class</b>	"B"
<b>Cable exit</b>	Variable
<b>Bearing motor</b>	Ball bearing
<b>Mass</b>	2.4 kg
<b>Material of electronics housing</b>	Coated in black
<b>Housing material</b>	Die-cast aluminum
<b>Material of impeller</b>	Sheet steel, coated in black
<b>Motor protection</b>	Thermal overload protector (TOP) wired internally
<b>Product conforming to standard</b>	CE
<b>Number of blades</b>	9
<b>Type of protection</b>	IP 44
<b>Protection class</b>	I
<b>Technical features</b>	PFC (passive), control input 0-10 VDC / PWM, output 10 VDC max. 1.1 mA, tach output, over-temperature protected electronics / motor
<b>Approval</b>	CSA C22.2 Nr.77; UL 2111

# EC axial fan

sickled blades (S series)

with full round nozzle

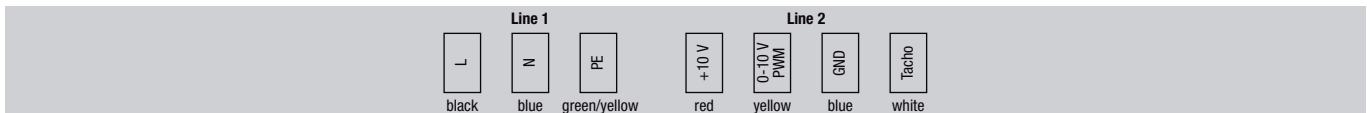
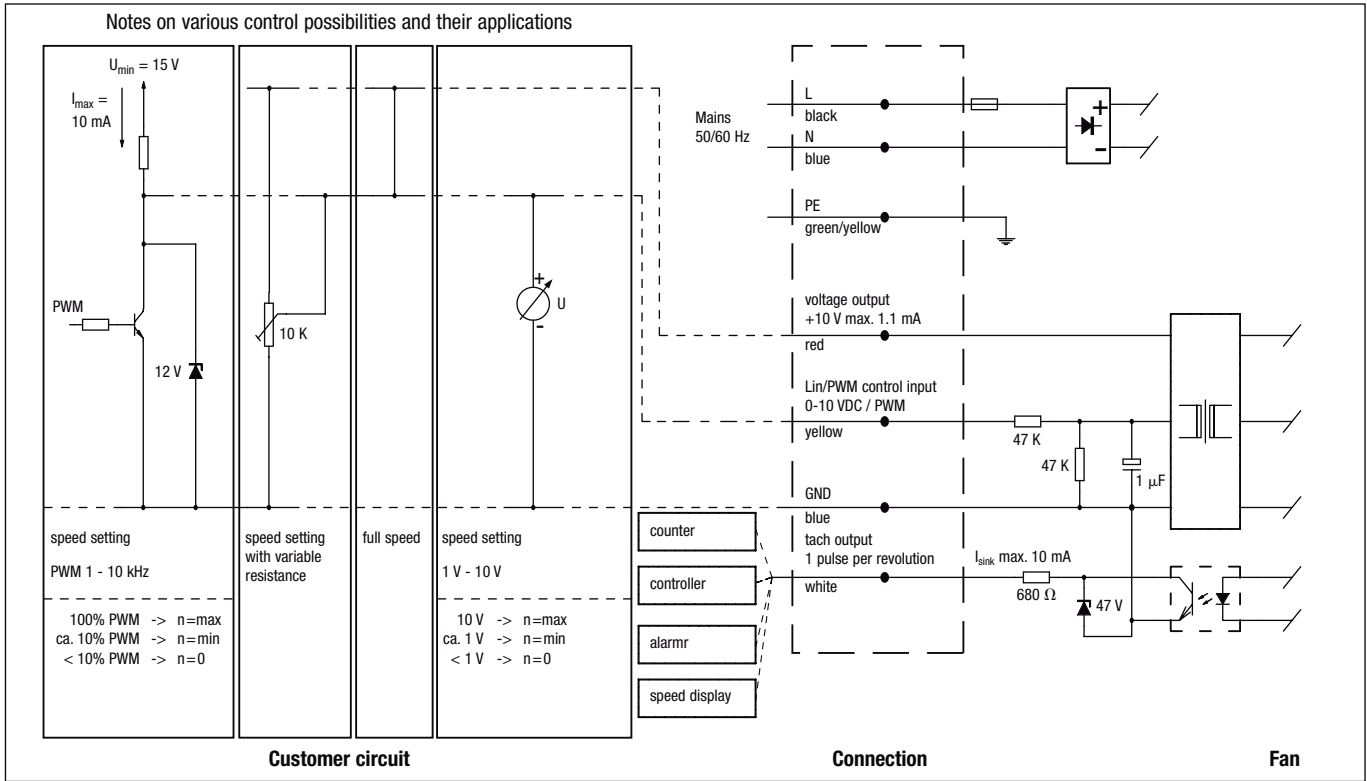
## Product drawing



# EC axial fan

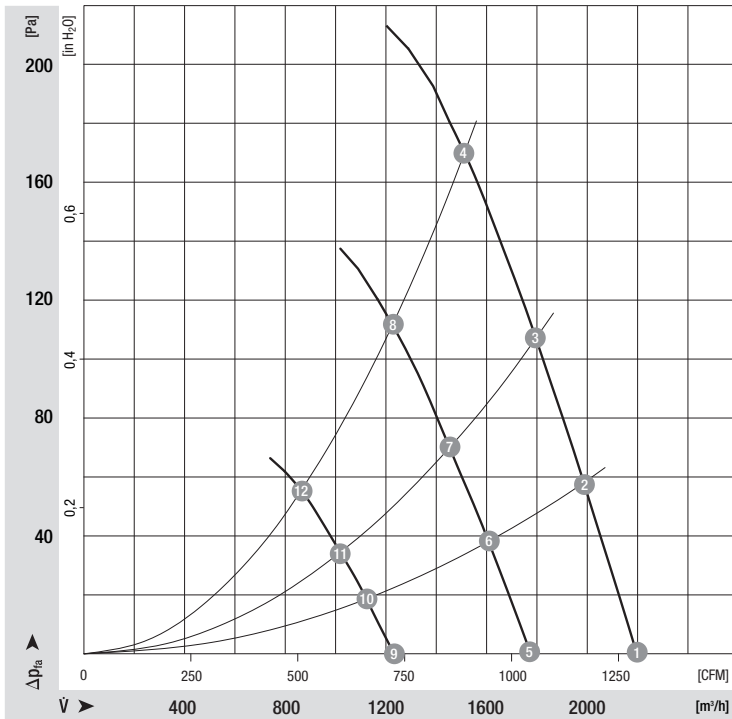
sickled blades (S series)  
with full round nozzle

## Connection screen



Line	Signal	Colour	Assignment / function	Line	Signal	Colour	Assignment / function
1	L	black	Mains 50/60 Hz, phase	2	+10 V	red	Voltage output +10 V max. 1.1 mA
	N	blue	Mains 50/60 Hz, neutral		0-10 V / PWM	yellow	Control input
	PE	green/yellow	Protective earth		GND	blue	GND
					Tacho	white	Tach output: pulses per revolution

## Charts: Air flow



## Measured values

	n	P <sub>1</sub>	I	LpA <sub>ss</sub>	LwA <sub>ss</sub>	η <sub>TL</sub>
	[min <sup>-1</sup> ]	[W]	[A]	[dB(A)]	[dB(A)]	[%]
1	3050	170	1.30	72		
2	2970	169	1.30	73		89
3	2900	169	1.30		74	88
4	2820	168	1.30	75		86
5	2500	96	0.70	68		
6	2410	64	0.70	68		86
7	2360	94	0.70	69		86
8	2300	94	0.70	69		81
9	1740	37	0.30	57		
10	1700	37	0.30	56		75
11	1660	37	0.30	58		75
12	1610	37	0.30	59		72