

AC axial fan

straight blades (A series), single inlet

Wall ring with guard grille

ebm-papst Mulfingen GmbH & Co. KG

Bachmühle 2 · D-74673 Mulfingen

Phone +49 7938 81-0

Fax +49 7938 81-110

sales@fansco.com

www.fansco.com

Limited partnership · Headquarters Mulfingen

County court Stuttgart · HRA 590344

General partner Elektrobau Mulfingen GmbH · Headquarters Mulfingen

County court Stuttgart · HRB 590142

Nominal data

Type	W2E250-DB13-52	
Motor	M2E068-DF	
Phase		1~
Nominal voltage	VAC	115
Frequency	Hz	60
Type of data definition		fa
Valid for approval / standard		UL 2111
Speed	min ⁻¹	2650
Power input	W	180
Current draw	A	1.49
Motor capacitor	µF	12
Capacitor voltage	VDB	220
Capacitor standard		UL
Min. ambient temperature	°C	-25
Max. ambient temperature	°C	-

ml = Max. load · me = Max. efficiency · fa = Running at free air · cs = Customer specs · cu = Customer unit
Subject to alterations



AC axial fan

straight blades (A series), single inlet

Wall ring with guard grille

Technical features

Mass	3.4 kg
Size	250 mm
Surface of rotor	Coated in black
Material of impeller	Sheet steel, coated in black
Material of wall ring	Sheet steel, galvanised and coated in black plastic (RAL 9005)
Material of guard grille	Steel, coated in black plastic (RAL9005)
Number of blades	5
Direction of air flow	"A"
Direction of rotation	Clockwise, seen on rotor
Type of protection	IP 44; Depending on installation and position as per EN 60034-5
Insulation class	"B"
Humidity class	F1-2
Max. permissible ambient motor temp. (transp./ storage)	+ 80 °C
Min. permissible ambient motor temp. (transp./storage)	- 40 °C
Mounting position	Shaft horizontal or rotor on bottom; rotor on top on request
Condensate discharge holes	Rotor-side
Operation mode	S1
Motor bearing	Ball bearing
Touch current acc. IEC 60990 (measuring network Fig. 4, TN system)	< 0.75 mA
Motor protection	Thermal overload protector (TOP) wired internally
Cable exit	Lateral
Protection class	I (if protective earth is connected by customer)
Product conforming to standard	EN 60335-1; CE
Approval	UL 507; CSA C22.2 Nr.113

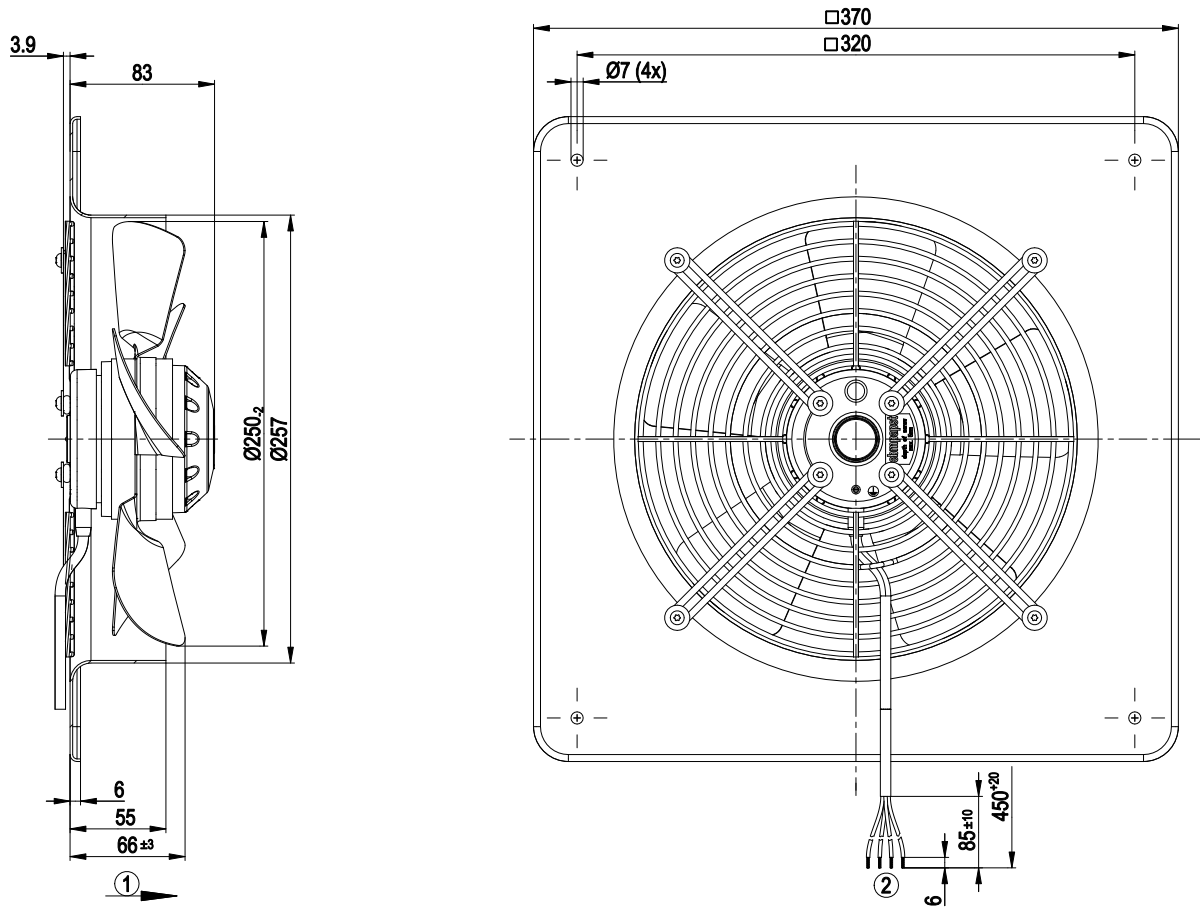


AC axial fan

straight blades (A series), single inlet

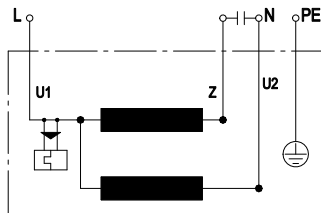
Wall ring with guard grille

Product drawing



- 1 Direction of air flow "A"
- 2 Connection line PVC AWG20, 4x lead tips crimped

Connection screen



U1	blue	Z	brown	U2	black
PE	green/yellow				

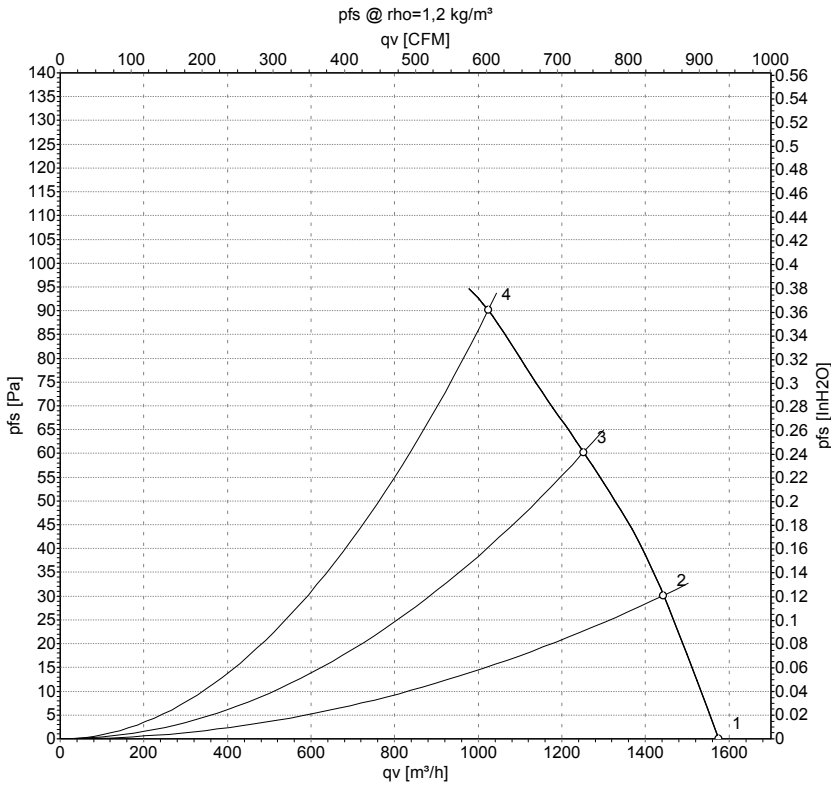


AC axial fan

straight blades (A series), single inlet

Wall ring with guard grille

Charts: Air flow 60 Hz



Measured values

	U	f	n	P _e	I	qv	p _{fs}
	V	Hz	min ⁻¹	W	A	m ³ /h	Pa
1	110	60	2450	145	1.32	1575	0
2	110	60	2360	149	1.35	1445	30
3	110	60	2290	152	1.38	1250	60
4	110	60	2260	154	1.39	1025	90

U = Supply voltage · f = Frequency · n = Speed · P_e = Power input · I = Current draw · qv = Air flow · p_{fs} = Pressure increase

