

W2E250-CE65-02

AC axial fan with full round nozzle straight blades (A series)



ebm-papst Mulfingen GmbH & Co. KG

Bachmühle 2

74673 Mulfingen

Phone: +49 7938 81-0

Fax: +49 7938 81-110

www.fansco.com

sales@fansco.com

Nominal data

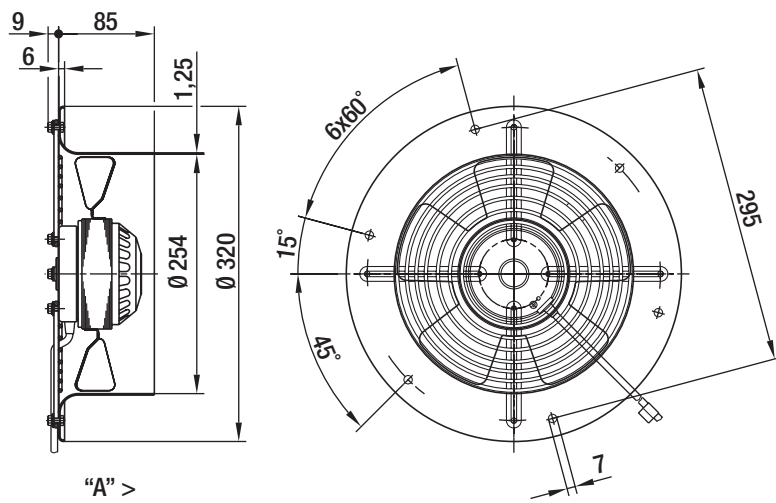
Type	W2E250-CE65-02			
Motor	M2E068-DF			
Phase		1~	1~	1~
Nominal voltage	[V]	230	230	230
Frequency	[Hz]	50	60	60
Type of data definition		rfa	rfa	rfa
Valid for approval / standard		CE	CE	UL
Speed	[min ⁻¹]	2550	2750	2750
Power input	[W]	115	165	175
Current draw	[A]	0,51	0.74	0.74
Motor capacitor	[µF]	4	4	4
Capacitor voltage	[VDB]	400	400	400
Capacitor standard		P0 (CE)	P0 (CE)	UL
Max. back pressure	[Pa]	150	130	130
Max. ambient temperature	[°C]	55	50	50
Air flow	[m ³ /h]	1610	1740	1740
Back pressure	[Pa]	0	0	0
Sound pressure level	[dB(A)]	72	73	73

ml = max. load · me = max. efficiency · rfa = running at free air · cs = customer specs · cu = customer unit
Subject to alterations

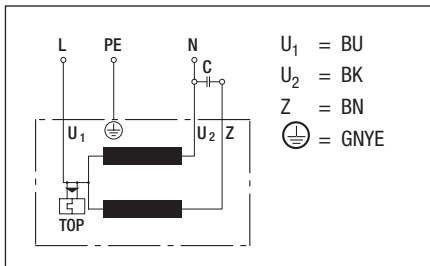
Technical features

Size	250 mm
Operation mode	Continuous operation (S1)
Direction of rotation	Clockwise, seen on rotor
Direction of air flow	"A"
Insulation class	"B"
Cable exit	Variable
Bearing motor	Ball bearing
Mass	2.2 kg
Material of impeller	Sheet steel, coated in black
Motor protection	Thermal overload protector (TOP) wired internally
Product conforming to standard	CE
Number of blades	5
Type of protection	IP 44 - depending on position
Protection class	I
Approval	CCC

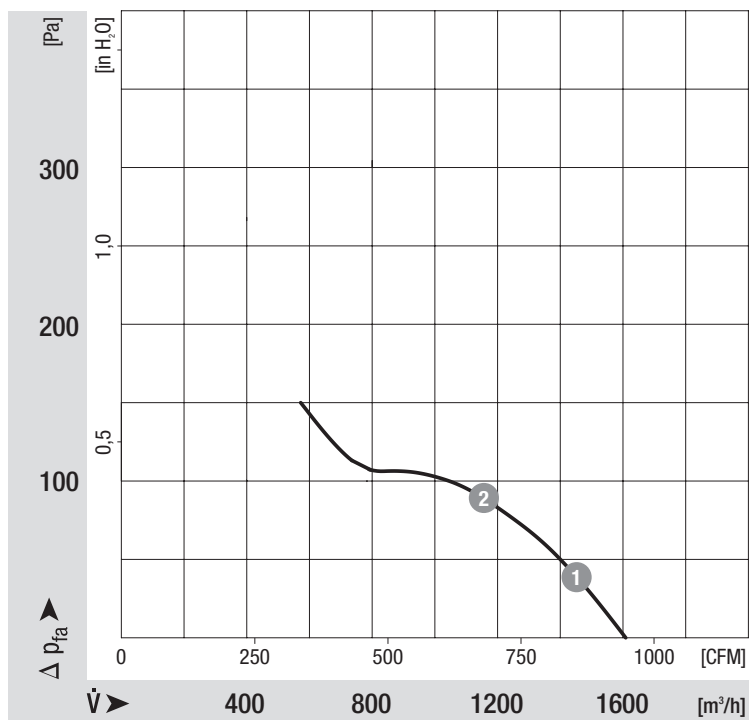
Product drawing



Connection screen



Charts: Air flow 50 Hz



Measured values

	n	P ₁	I
	[min ⁻¹]	[W]	[A]
1	2520	122	0.54
2	2480	126	0.55

Charts: Air flow 60 Hz

