

W1G200-EA95-47

EC axial fan

sickled blades (S series)

with full round nozzle



ebm-papst Mulfingen GmbH & Co. KG

Bachmühle 2

74673 Mulfingen

Phone: +49 7938 81-0

Fax: +49 7938 81-110

www.fansco.com

sales@fansco.com

Nominal data

Type	W1G200-EA95-47	
Motor	M1G055-BD	
Phase		1~
Nominal voltage	[VAC]	115
Frequency	[Hz]	50/60
Type of data definition		rfa
Speed	[min ⁻¹]	2200
Power input	[W]	27
Current draw	[A]	0.4
Max. ambient temperature	[°C]	50

ml = max. load · me = max. efficiency · rfa = running at free air · cs = customer specs · cu = customer unit
Subject to alterations

EC axial fan

sickled blades (S series)

with full round nozzle

Technical features

Leakage current	<= 3,5 mA
Size	200 mm
Operation mode	Continuous operation (S1)
Direction of rotation	"V"
Mounting position	Any
Insulation class	"B"
Cable exit	Lateral
Bearing motor	Ball bearing
Mass	1.0 kg
Material of electronics housing	Rotor: Coated in black
Material of impeller	Sheet steel, black (wall ring of PP20TV plastic)
Motor protection	Thermal overload protector (TOP) wired internally
Product conforming to standard	CE
Number of blades	5
Type of protection	IP 54
Protection class	II
Technical features	The programming unit can be used to program 2 speeds between n min. and n. max.
Approval	CSA C22.2 Nr.113; UL 507; VDE

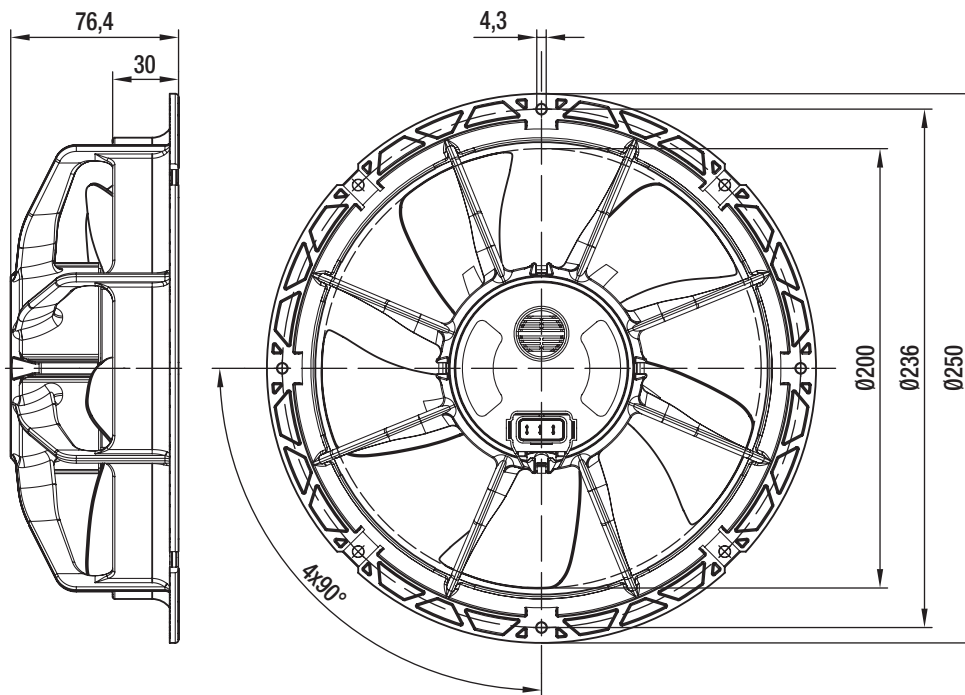
W1G200-EA95-47

EC axial fan

sickled blades (S series)

with full round nozzle

Product drawing



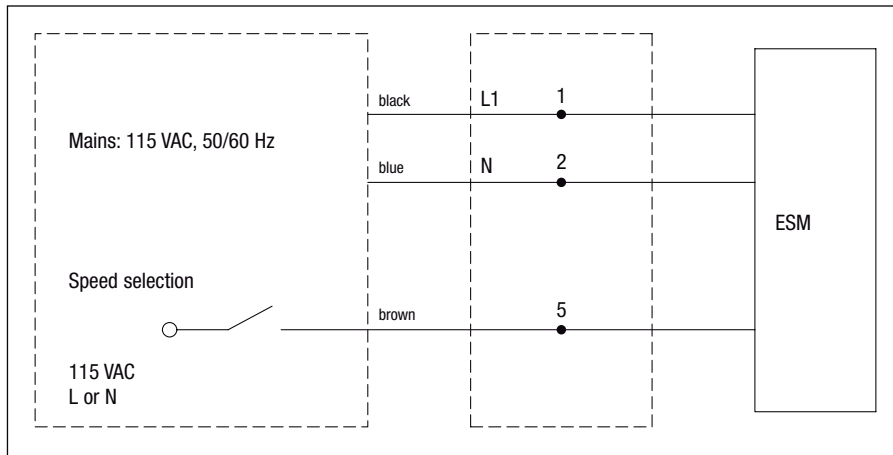
W1G200-EA95-47

EC axial fan

sickled blades (S series)

with full round nozzle

Connection screen



EC axial fan

sickled blades (S series)
with full round nozzle

Charts: Air flow

