

W1G200-EA91-45

EC axial fan - ESM

sickled blades (S series)

ESM wall ring



ebm-papst Mulfingen GmbH & Co. KG

Bachmühle 2

74673 Mulfingen

Phone: +49 7938 81-0

Fax: +49 7938 81-110

www.fansco.com

sales@fansco.com

Nominal data

Type	W1G200-EA91-45	
Motor	M1G055-BD	
Phase		1~
Nominal voltage	[VAC]	230
Frequency	[Hz]	50/60
Type of data definition		me
Speed	[min ⁻¹]	2200/1500
Power input	[W]	28,1
Current draw	[A]	0,21
Min. ambient temperature	[°C]	-30
Max. ambient temperature	[°C]	50

ml = max. load · me = max. efficiency · rfa = running at free air · cs = customer specs · cu = customer unit
Subject to alterations

Technical features

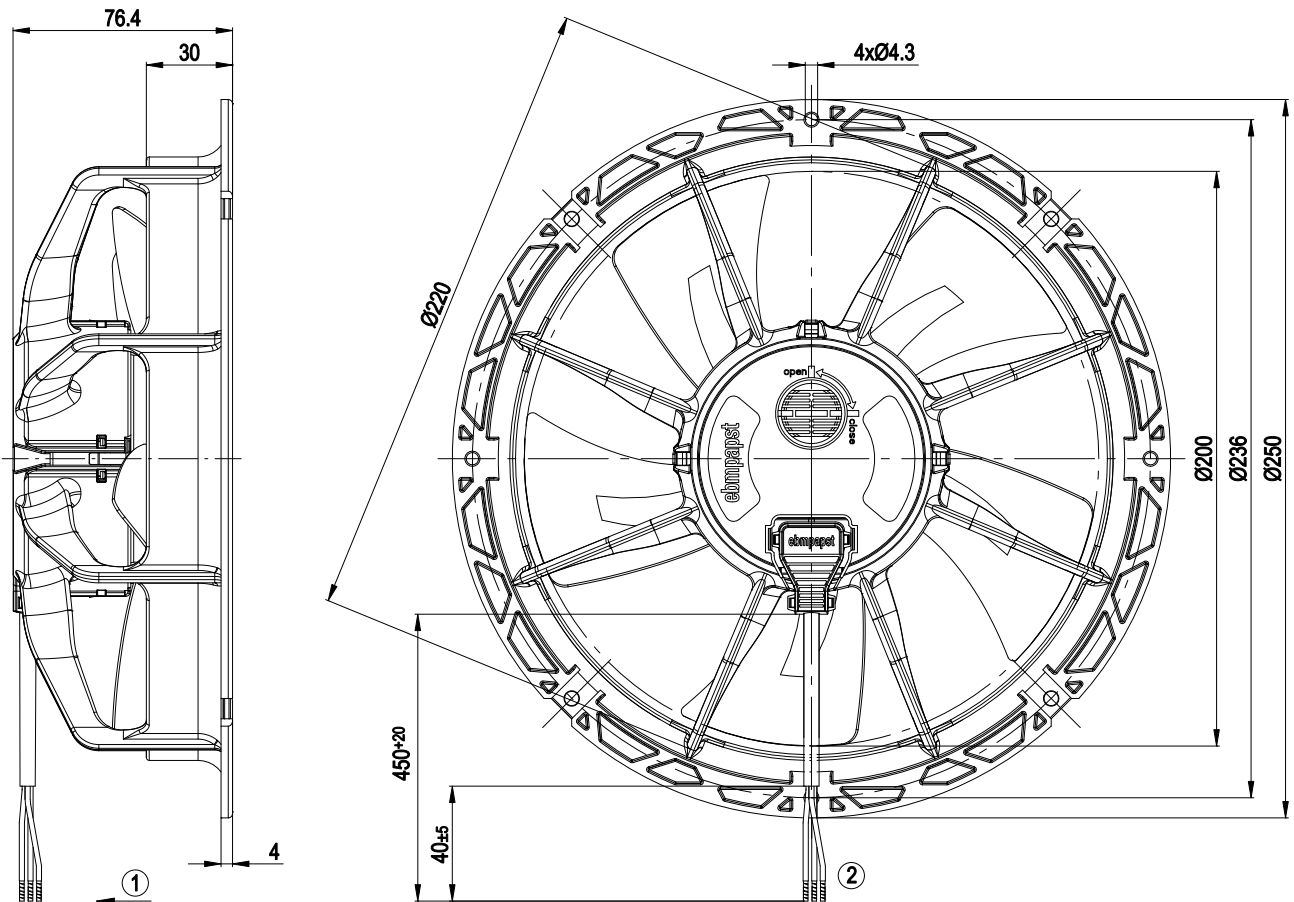
Leakage current	<= 0,25 mA
Size	200 mm
Operation mode	S1
Direction of rotation	"V"
Mounting position	Shaft horizontal or rotor on bottom; rotor on top on request
EMC harmonics	Acc. to EN 61000-3-2/3
EMC interference emission	Acc. to EN 61000-6-3 (household environment)
EMC interference immunity	Acc. to EN 61000-6-2 (industrial environment)
Insulation class	"B"
Cable exit	Lateral
Condensate discharge holes	Rotor-side
Bearing motor	Ball bearing
Mass	0.98 kg
Material of electronics housing	PP-TD20 plastic
Material of blades	Sheet steel, coated in black
Material of wall ring	PP-TD20 plastic
Product conforming to standard	CE
Surface of rotor	Coated in black
Number of blades	5
Type of protection	IP 54
Protection class	II
Technical features	- Over-temperature protected motor - Speed selection max/min
Max. permissible ambient motor temp. (transp./ storage)	+80 °C
Min. permissible ambient motor temp. (transp./storage)	-40 °C
Approval	CCC; CSA C22.2 Nr.13; UL 507; VDE

EC axial fan - ESM

sickled blades (S series)

ESM wall ring

Product drawing



- | | |
|---|--|
| 1 | Direction of air flow "V" |
| 2 | Connection line AWG20, 3 x brass lead tips crimped |

EC axial fan - ESM

sickled blades (S series)

ESM wall ring

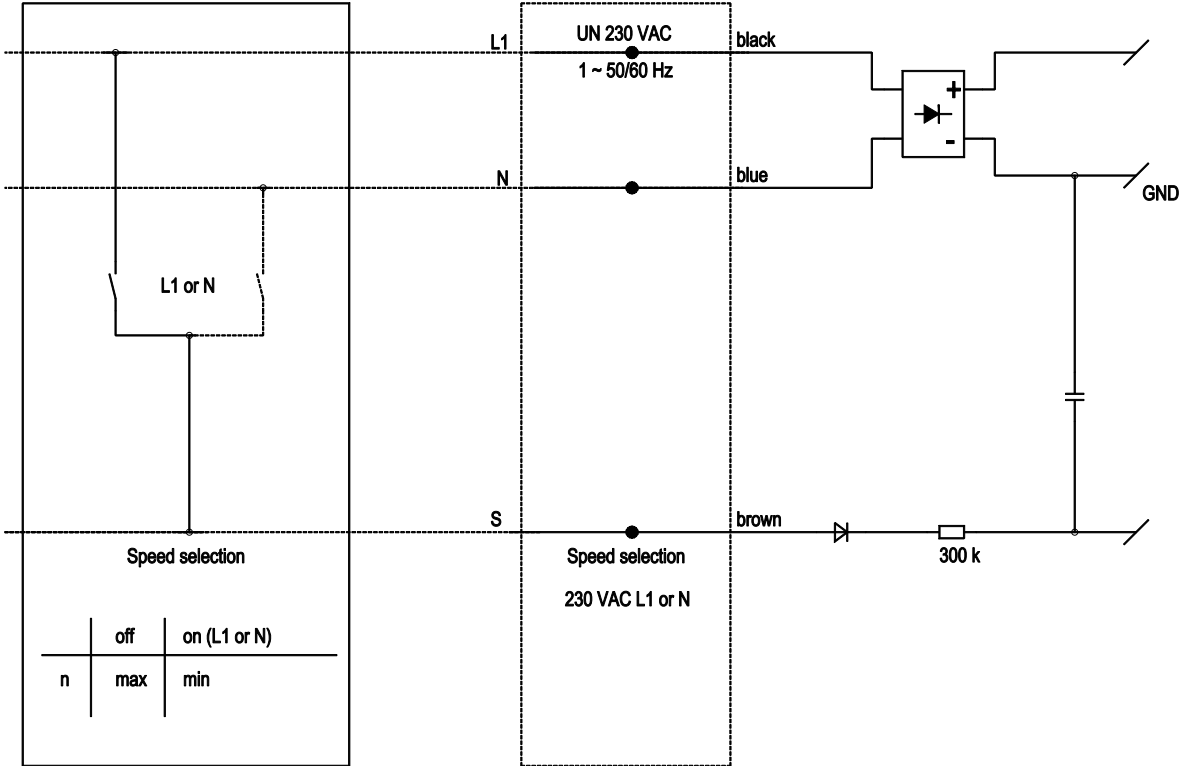
Connection screen

Customer circuit

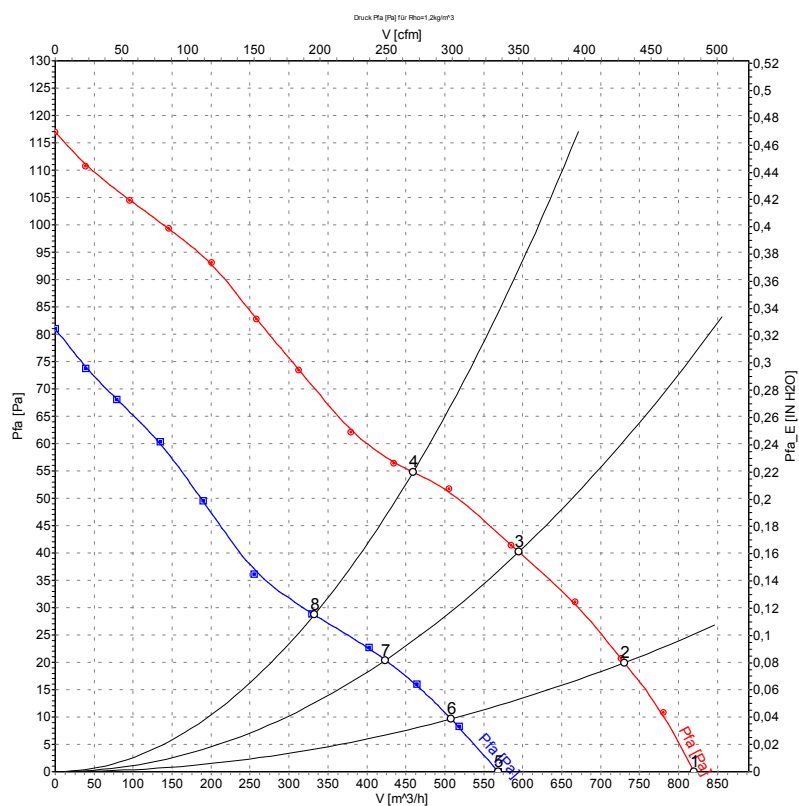
Connection

Fan / motor

Notes on 2 different speed settings and their applications



Charts: Air flow 50 Hz



Measurement: LU-54726
Measurement: LU-54729

Measured values

	U	f	n	P ₁	I	LpA _{ss}	LwA _{ss}	\hat{V}	p _{fa}
	[V]	[Hz]	[min ⁻¹]	[W]	[A]	[dB(A)]	[dB(A)]	[m ³ /h]	[Pa]
1	230	50	2200	27	0.20	55	63	820	0
2	230	50	2170	30	0.23	53	61	730	20
3	230	50	2125	30	0.23	54	62	595	40
4	230	50	2115	30	0.23	59	68	460	55
5	230	50	1530	12	0.09			570	0
6	230	50	1530	13	0.10			510	10
7	230	50	1525	14	0.11			425	20
8	230	50	1535	14	0.12			330	29