

W1G200-EA87-25

## EC axial fan - ESM

sickled blades (S series)

ESM wall ring



**ebm-papst Mulfingen GmbH & Co. KG**

Bachmühle 2

74673 Mulfingen

Phone: +49 7938 81-0

Fax: +49 7938 81-110

[www.fansco.com](http://www.fansco.com)

[sales@fansco.com](mailto:sales@fansco.com)

### Nominal data

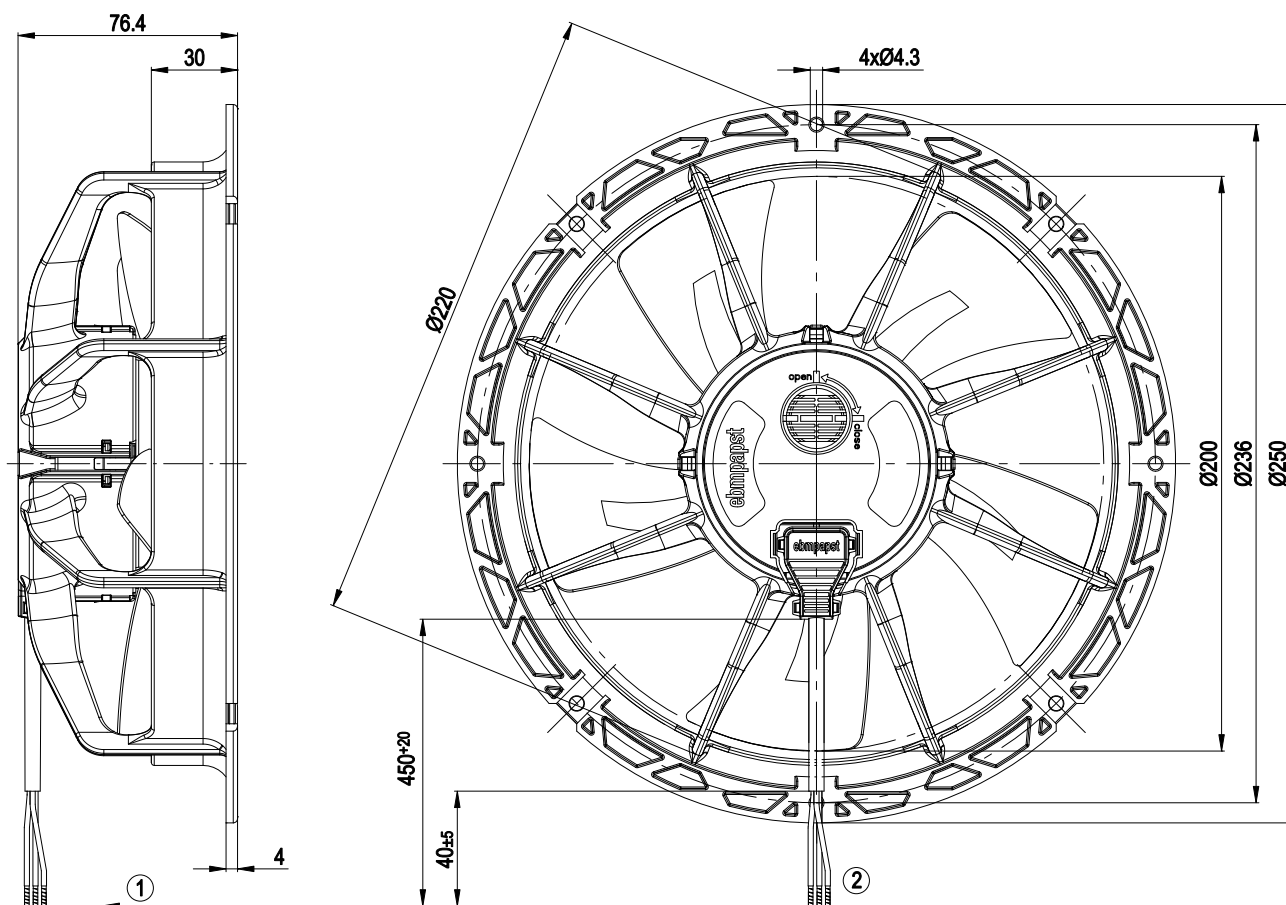
|                               |                      |           |
|-------------------------------|----------------------|-----------|
| Type                          | W1G200-EA87-25       |           |
| Motor                         | M1G055-BD            |           |
| Phase                         |                      | 1~        |
| Nominal voltage               | [VAC]                | 230       |
| Frequency                     | [Hz]                 | 50/60     |
| Type of data definition       |                      | ml        |
| Valid for approval / standard |                      | CE/UC     |
| Speed                         | [min <sup>-1</sup> ] | 1400/1000 |
| Power input                   | [W]                  | 7         |
| Current draw                  | [A]                  | 0.06      |
| Min. ambient temperature      | [°C]                 | -30       |
| Max. ambient temperature      | [°C]                 | 50        |

ml = max. load · me = max. efficiency · rfa = running at free air · cs = customer specs · cu = customer unit  
Subject to alterations

### Technical features

|   |   |
|---|---|
| Leakage current   | <= 0,25 mA  |
| Size  | 200 mm  |
| Operation mode  | S1  |
| Direction of rotation                                   | "V"   |
| Mounting position                                       | Shaft horizontal or rotor on bottom; rotor on top on request    |
| EMC harmonics   | Acc. to EN 61000-3-2/3  |
| EMC interference emission                               | Acc. to EN 61000-6-3 (household environment)                    |
| EMC interference immunity                               | Acc. to EN 61000-6-2 (industrial environment)                   |
| Insulation class  | "B"   |
| Cable exit  | Lateral   |
| Condensate discharge holes                              | Rotor-side  |
| Bearing motor   | Ball bearing  |
| Mass  | 1 kg  |
| Material of electronics housing                         | PP-TD20 plastic   |
| Material of blades                                      | Sheet steel, coated in black                                    |
| Material of wall ring                                   | PP-TD20 plastic   |
| Product conforming to standard                          | CE  |
| Surface of rotor  | Coated in black   |
| Number of blades  | 5   |
| Type of protection                                      | IP 54   |
| Protection class  | II  |
| Technical features                                      | - Over-temperature protected motor<br>- Speed selection max/min |
| Max. permissible ambient motor temp. (transp./ storage) | +80 °C  |
| Min. permissible ambient motor temp. (transp./storage)  | -40 °C  |
| Approval  | CCC; CSA C22.2 Nr.13; UL 507; VDE                               |

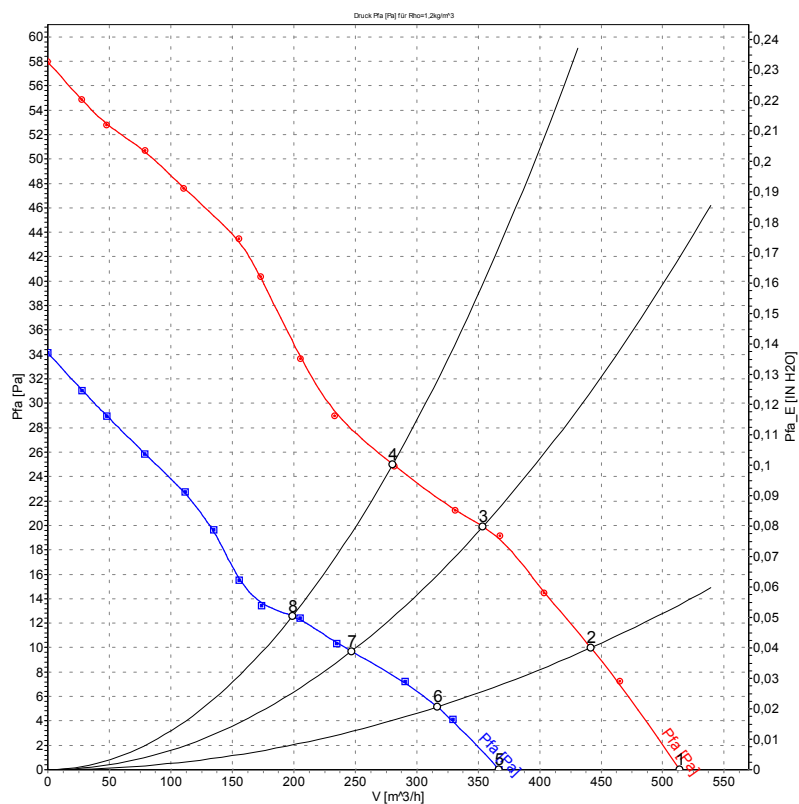
## Product drawing



- |   |  |
|---|--|
| 1 | Direction of air flow "V"                          |
| 2 | Connection line AWG20, 3 x brass lead tips crimped |



## Charts: Air flow 50 Hz



Measurement: LU-54084  
Measurement: LU-54085

## Measured values

|   | U   | f    | n                    | P <sub>1</sub> | I    | LpA <sub>ss</sub> | LwA <sub>ss</sub> | $\hat{V}$           | p <sub>fa</sub> |
|---|-----|------|----------------------|----------------|------|-------------------|-------------------|---------------------|-----------------|
|   | [V] | [Hz] | [min <sup>-1</sup> ] | [W]            | [A]  | [dB(A)]           | [dB(A)]           | [m <sup>3</sup> /h] | [Pa]            |
| 1 | 230 | 50   | 1400                 | 7              | 0.06 | 43                | 51                | 515                 | 0               |
| 2 | 230 | 50   | 1400                 | 8              | 0.07 | 41                | 49                | 440                 | 10              |
| 3 | 230 | 50   | 1400                 | 9              | 0.07 | 45                | 54                | 355                 | 20              |
| 4 | 230 | 50   | 1400                 | 9              | 0.07 | 48                | 57                | 280                 | 25              |
| 5 | 230 | 50   | 1000                 | 4              | 0.04 | 33                | 42                | 365                 | 0               |
| 6 | 230 | 50   | 1000                 | 4              | 0.04 | 32                | 41                | 315                 | 5               |
| 7 | 230 | 50   | 1000                 | 5              | 0.04 | 36                | 44                | 245                 | 10              |
| 8 | 230 | 50   | 1000                 | 5              | 0.04 | 38                | 47                | 200                 | 13              |