

S4E315-BA05-01

# AC axial fan with guard grille for full nozzle straight blades (A series)



**ebm-papst Mulfingen GmbH & Co. KG**

Bachmühle 2

74673 Mulfingen

Phone: +49 7938 81-0

Fax: +49 7938 81-110

[www.fansco.com](http://www.fansco.com)

[sales@fansco.com](mailto:sales@fansco.com)

## Nominal data

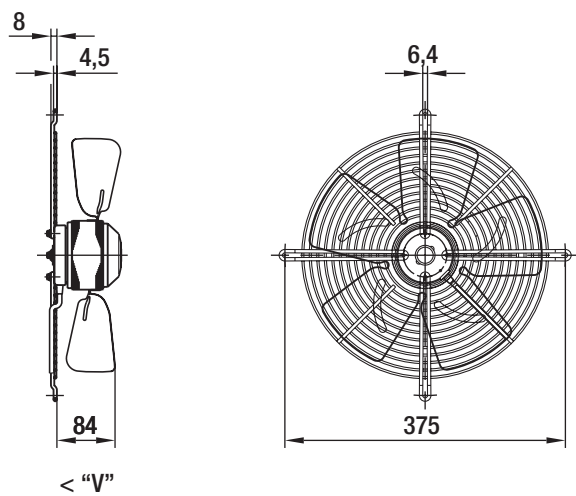
Type	S4E315-BA05-01		
Motor	M4E068-EC		
Phase		1~	1~
Nominal voltage	[V]	230	230
Frequency	[Hz]	50	60
Type of data definition		rfa	rfa
Valid for approval / standard		CE	CE
Speed	[min <sup>-1</sup> ]	1400	1610
Power input	[W]	120	135
Current draw	[A]	0,53	0.60
Motor capacitor	[µF]	5	4
Capacitor voltage	[VDB]	400	400
Capacitor standard		P0 (CE)	P0 (CE)
Max. back pressure	[Pa]	80	80
Max. ambient temperature	[°C]	0	40
Air flow	[m <sup>3</sup> /h]	1950	2230
Back pressure	[Pa]	0	0
Sound pressure level	[dB(A)]	67	70

ml = max. load · me = max. efficiency · rfa = running at free air · cs = customer specs · cu = customer unit  
Subject to alterations

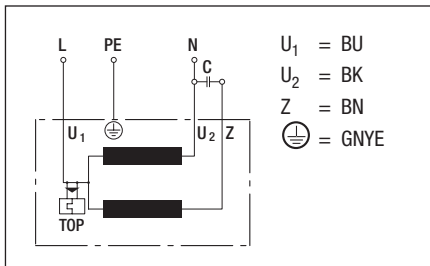
**Technical features**

<b>Size</b>	315 mm
<b>Operation mode</b>	Continuous operation (S1)
<b>Direction of rotation</b>	Counter-clockwise, seen on rotor
<b>Direction of air flow</b>	"V"
<b>Insulation class</b>	"B"
<b>Cable exit</b>	Lateral
<b>Bearing motor</b>	Ball bearing
<b>Mass</b>	2.8 kg
<b>Material of impeller</b>	Sheet steel, coated in black
<b>Motor protection</b>	Thermal overload protector (TOP) wired internally
<b>Product conforming to standard</b>	CE
<b>Number of blades</b>	5
<b>Type of protection</b>	IP 44 - depending on position
<b>Protection class</b>	I

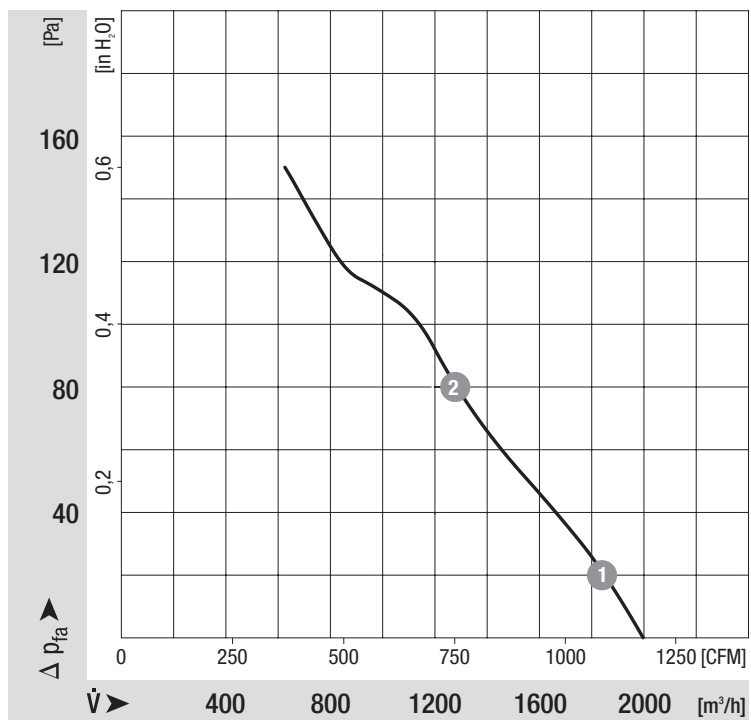
Product drawing



## Connection screen



## Charts: Air flow 50 Hz



## Measured values

	n	P <sub>1</sub>	I
	[min <sup>-1</sup> ]	[W]	[A]
1	1395	123	0.55
2	1360	136	0.60

Charts: Air flow 60 Hz

