

S4E315-AP18-30

# AC axial fan with guard grille for short nozzle sickled blades (S series)



**ebm-papst Mulfingen GmbH & Co. KG**

Bachmühle 2

74673 Mulfingen

Phone: +49 7938 81-0

Fax: +49 7938 81-110

[www.fansco.com](http://www.fansco.com)

[sales@fansco.com](mailto:sales@fansco.com)

## Nominal data

Type	S4E315-AP18-30		
Motor	M4E068-DF		
Phase		1~	1~
Nominal voltage	[V]	230	230
Frequency	[Hz]	50	60
Type of data definition		rfa	rfa
Valid for approval / standard		CE	CE
Speed	[min <sup>-1</sup> ]	1410	1650
Power input	[W]	102	120
Current draw	[A]	0,52	0.53
Motor capacitor	[µF]	4	4
Capacitor voltage	[VDB]	400	400
Max. back pressure	[Pa]	120	120
Max. ambient temperature	[°C]	55	55
Air flow	[m <sup>3</sup> /h]	2440	2840
Back pressure	[Pa]	0	0
Sound pressure level	[dB(A)]	59	64

ml = max. load · me = max. efficiency · rfa = running at free air · cs = customer specs · cu = customer unit  
Subject to alterations

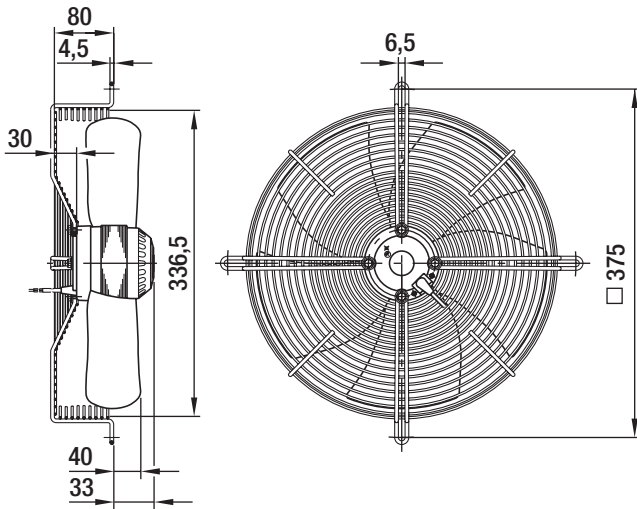
**Technical features**

<b>Size</b>	315 mm
<b>Operation mode</b>	Continuous operation (S1)
<b>Direction of rotation</b>	Counter-clockwise, seen on rotor
<b>Direction of air flow</b>	"V"
<b>Insulation class</b>	"B"
<b>Cable exit</b>	Axial
<b>Bearing motor</b>	Ball bearing
<b>Mass</b>	2.4 kg
<b>Material of electronics housing</b>	Rotor: Coated in black
<b>Material of impeller</b>	Sheet steel, coated in black
<b>Motor protection</b>	Thermal overload protector (TOP) wired internally
<b>Product conforming to standard</b>	CE
<b>Number of blades</b>	5
<b>Type of protection</b>	IP 44 - depending on position
<b>Protection class</b>	I
<b>Approval</b>	CCC; GOST

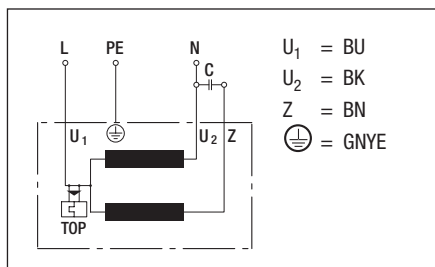
S4E315-AP18-30

# AC axial fan with guard grille for short nozzle sickled blades (S series)

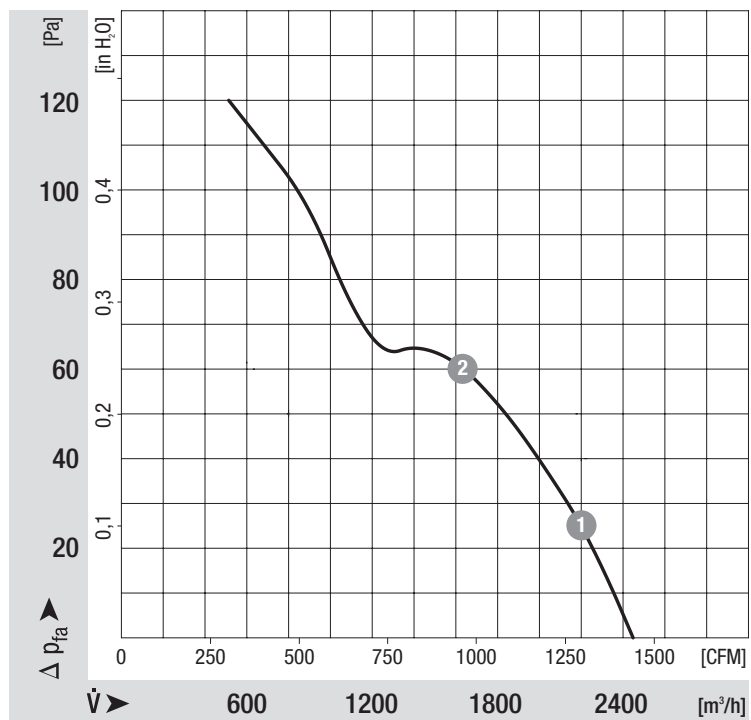
## Product drawing



Connection screen



## Charts: Air flow 50 Hz



## Measured values

	n	P <sub>1</sub>	I
	[min <sup>-1</sup> ]	[W]	[A]
1	1400	108	0.54
2	1380	120	0.57

Charts: Air flow 60 Hz

