

**ebm-papst Mulfingen GmbH & Co. KG**

Bachmühle 2

74673 Mulfingen

Phone: +49 7938 81-0

Fax: +49 7938 81-110

www.fansco.com

sales@fansco.com

**Nominal data**

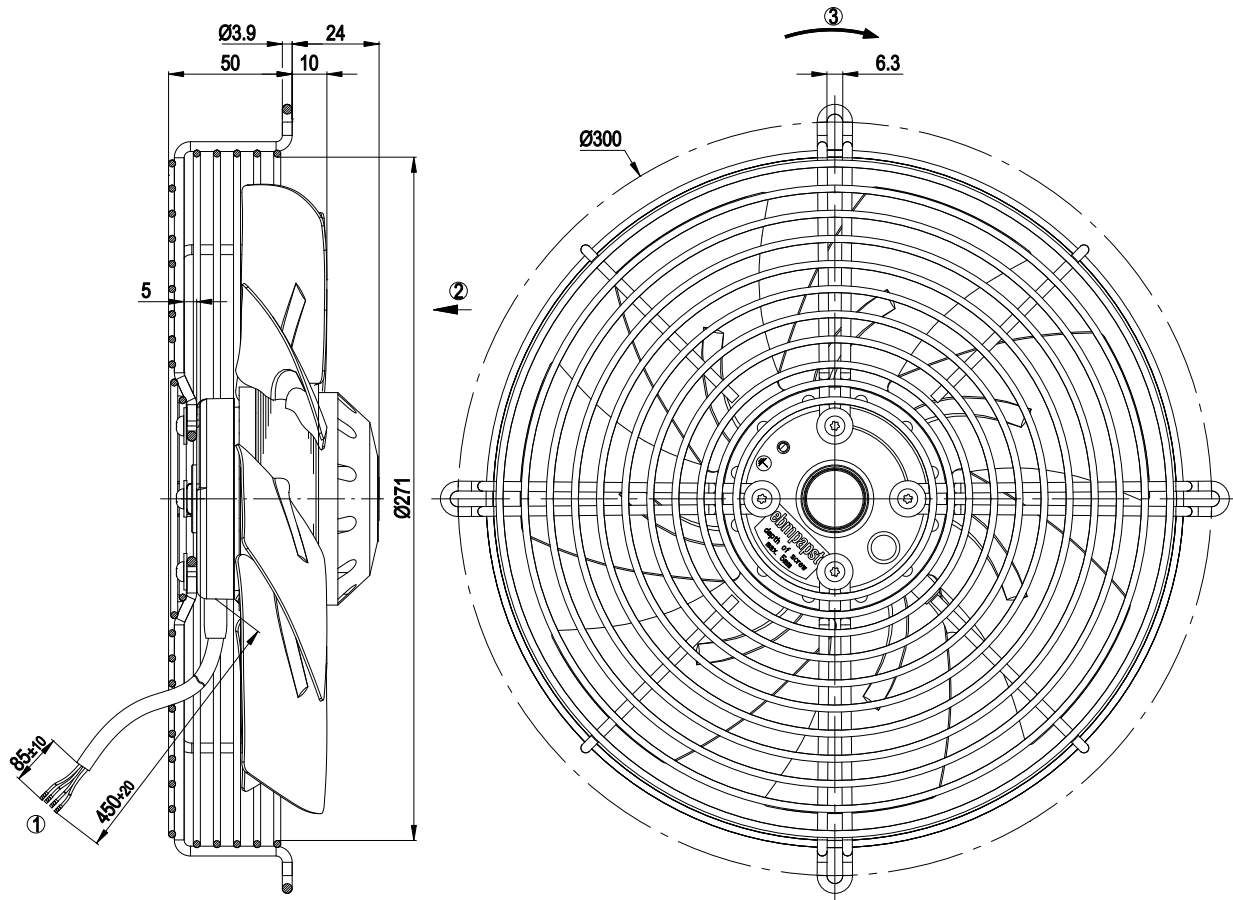
|                               |                       |         |      |
|-------------------------------|-----------------------|---------|------|
| <b>Type</b>                   | <b>S4E250-AH02-01</b> |         |      |
| <b>Motor</b>                  | <b>M4E068-BF</b>      |         |      |
| Phase                         |                       | 1~      | 1~   |
| Nominal voltage               | [V]                   | 230     | 230  |
| Frequency                     | [Hz]                  | 50      | 60   |
| Type of data definition       |                       | rfa     | rfa  |
| Valid for approval / standard |                       | CE      | CE   |
| Speed                         | [min <sup>-1</sup> ]  | 1400    | 1630 |
| Power input                   | [W]                   | 42      | 45   |
| Current draw                  | [A]                   | 0.19    | 0.20 |
| Motor capacitor               | [µF]                  | 1.5     | 1.5  |
| Capacitor voltage             | [VDB]                 | 400     | 400  |
| Capacitor standard            |                       | P0 (CE) |      |
| Max. back pressure            | [Pa]                  | 80      | 100  |
| Max. ambient temperature      | [°C]                  | 55      | 70   |
| Air flow                      | [m <sup>3</sup> /h]   | 1010    | 1200 |
| Back pressure                 | [Pa]                  | 0       | 0    |
| Sound pressure level          | [dB(A)]               | 54      | 58   |

ml = max. load · me = max. efficiency · rfa = running at free air · cs = customer specs · cu = customer unit  
Subject to alterations

## Technical features

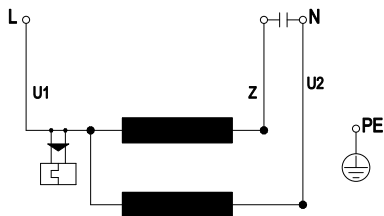
|                                |  |
|--------------------------------|--|
| Leakage current                | < 0,75 mA  |
| Size                           | 250 mm   |
| Operation mode                 | S1   |
| Mounting position              | Shaft horizontal or rotor on bottom; rotor on top on request |
| Direction of rotation          | Counter-clockwise, seen on rotor                             |
| Insulation class               | "B"  |
| Cable exit                     | Variable   |
| Condensate discharge holes     | Rotor-side   |
| Bearing-motor                  | Ball bearing   |
| Mass                           | 2.17 kg  |
| Material of blades             | Sheet steel, coated in black                                 |
| Material of guard grille       | Steel, phosphated and coated in black plastic                |
| Motor protection               | Thermal overload protector (TOP) wired internally            |
| Product conforming to standard | CE; EN 60335-1   |
| Surface of rotor               | Coated in black  |
| Number of blades               | 7  |
| Type of protection             | IP 44  |
| Protection class               | I  |
| Approval                       | CCC  |

Product drawing



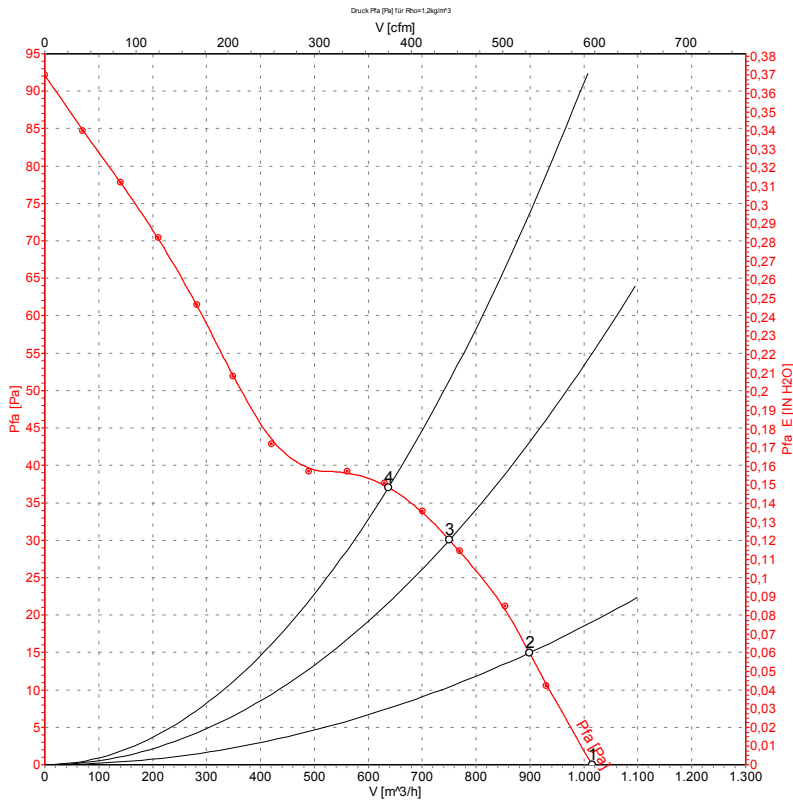
|   |  |
|---|--|
| 1 | Connection line PVC, 4x brass lead tips crimped        |
| 2 | Direction of air flow "V"                              |
| 3 | Direction of rotation counter-clockwise, seen on rotor |

Connection screen



|    |              |   |       |    |       |
|----|--------------|---|-------|----|-------|
| U1 | blue         | Z | brown | U2 | black |
| PE | green/yellow |   |       |    |       |

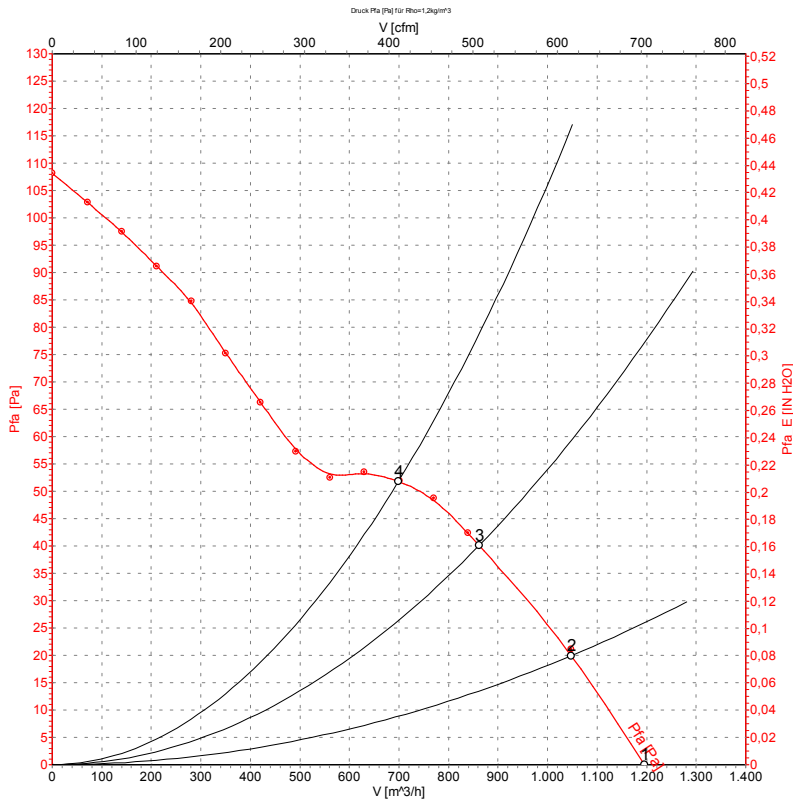
Charts: Air flow 50 Hz



Measured values

|   | U   | f    | n                    | P <sub>1</sub> | I    | $\hat{V}$           | P <sub>fa</sub> |
|---|-----|------|----------------------|----------------|------|---------------------|-----------------|
|   | [V] | [Hz] | [min <sup>-1</sup> ] | [W]            | [A]  | [m <sup>3</sup> /h] | [Pa]            |
| 1 | 230 | 50   | 1400                 | 42             | 0.19 | 1015                | 0               |
| 2 | 230 | 50   | 1385                 | 43             | 0.20 | 900                 | 15              |
| 3 | 230 | 50   | 1370                 | 44             | 0.20 | 750                 | 30              |
| 4 | 230 | 50   | 1360                 | 45             | 0.20 | 640                 | 37              |

Charts: Air flow 60 Hz



Measured values

|   | U   | f    | n                    | P <sub>1</sub> | I    | Ŷ                   | P <sub>fa</sub> |
|---|-----|------|----------------------|----------------|------|---------------------|-----------------|
|   | [V] | [Hz] | [min <sup>-1</sup> ] | [W]            | [A]  | [m <sup>3</sup> /h] | [Pa]            |
| 1 | 230 | 60   | 1630                 | 45             | 0.20 | 1200                | 0               |
| 2 | 230 | 60   | 1625                 | 47             | 0.21 | 1045                | 21              |
| 3 | 230 | 60   | 1590                 | 49             | 0.21 | 860                 | 40              |
| 4 | 230 | 60   | 1580                 | 49             | 0.21 | 700                 | 52              |