

S4D560-AM03-01

AC axial fan - HyBlade®

sickled blades (S series), single inlet
with guard grille for short nozzle

ebm-papst Mulfingen GmbH & Co. KG

Bachmühle 2
74673 Mulfingen
Phone: +49 7938 81-0
Fax: +49 7938 81-110
www.fansco.com
sales@fansco.com

Nominal data

Type	S4D560-AM03-01		
Motor	M4D110-GF		
Phase		3~	3~
Nominal voltage	[V]	400	400
Connection		D	Y
Frequency	[Hz]	50	50
Type of data definition		ml	ml
Valid for approval / standard		CE	CE
Speed	[min ⁻¹]	1220	870
Power input	[W]	1160	650
Current draw	[A]	1.95	1.1
Max. back pressure	[Pa]	140	72
Max. ambient temperature	[°C]	50	50

ml = max. load · me = max. efficiency · rfa = running at free air · cs = customer specs · cu = customer unit
Subject to alterations

AC axial fan - HyBlade®

sickled blades (S series), single inlet
with guard grille for short nozzle

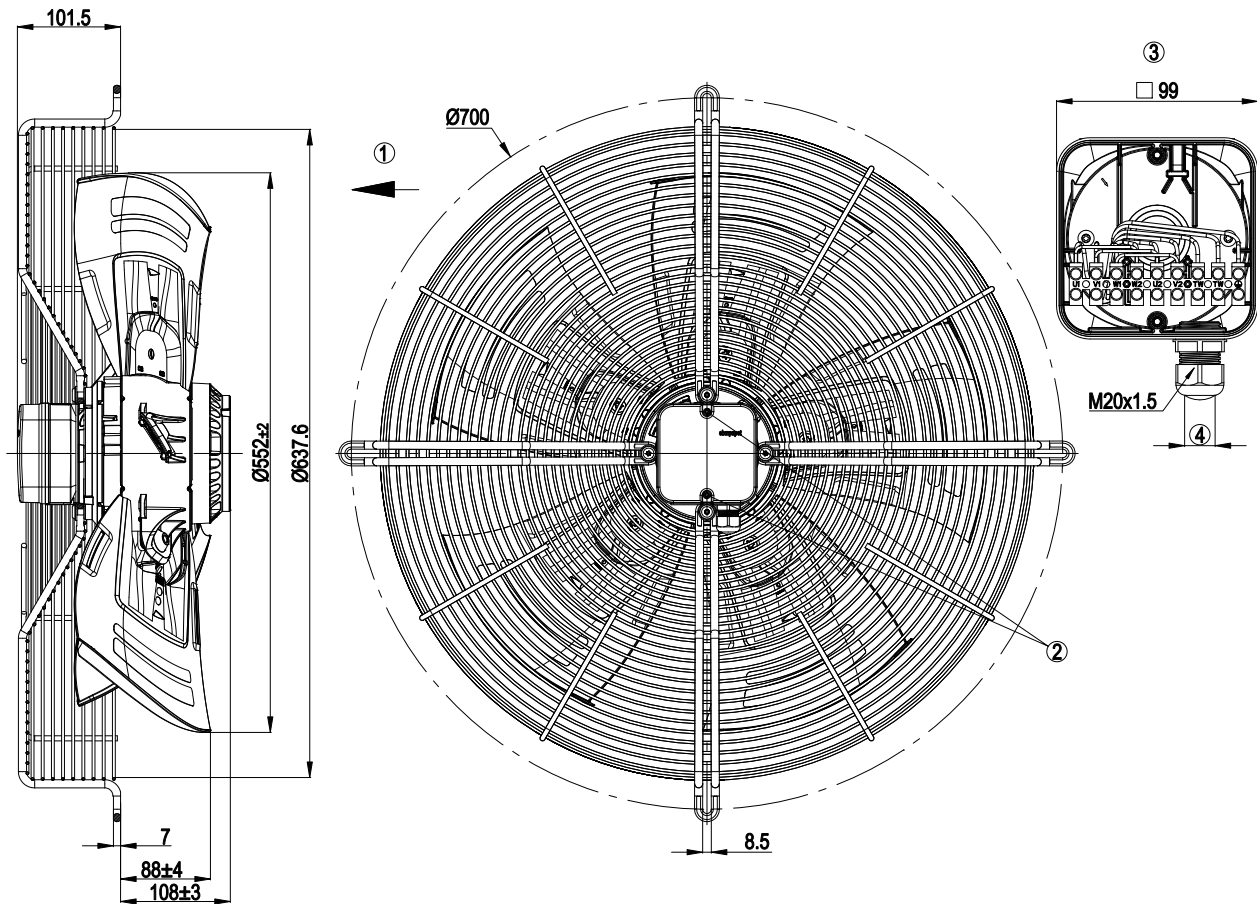
Technical features

Leakage current	<= 3.5 mA
Size	560 mm
Operation mode	S1
Direction of rotation	Counter-clockwise, seen on rotor
Mounting position	Shaft horizontal or rotor on bottom; rotor on top on request
Electrical leads	Via terminal box
Humidity class	F3-1
Blade angle	0°
Direction of air flow	"V"
Insulation class	"F"
Cable exit	Axial
Condensate discharge holes	Rotor-side
Bearing motor	Ball bearing
Mass	14.6 kg
Material of terminal box	ABS plastic, black
Material of blades	Aluminium sheet insert, sprayed with PP plastic
Material of guard grille	Steel, phosphated and coated in black plastic
Motor protection	Thermal overload protector (TOP) brought out
Product conforming to standard	CE; EN 61800-5-1
Surface of rotor	Cast in aluminium
Number of blades	5
Type of protection	IP 54
Protection class	I
Max. permissible ambient motor temp. (transp./ storage)	+ 80 °C
Min. permissible ambient motor temp. (transp./storage)	- 40 °C
Approval	GOST; VDE

AC axial fan - HyBlade®

sickled blades (S series), single inlet
with guard grille for short nozzle

Product drawing

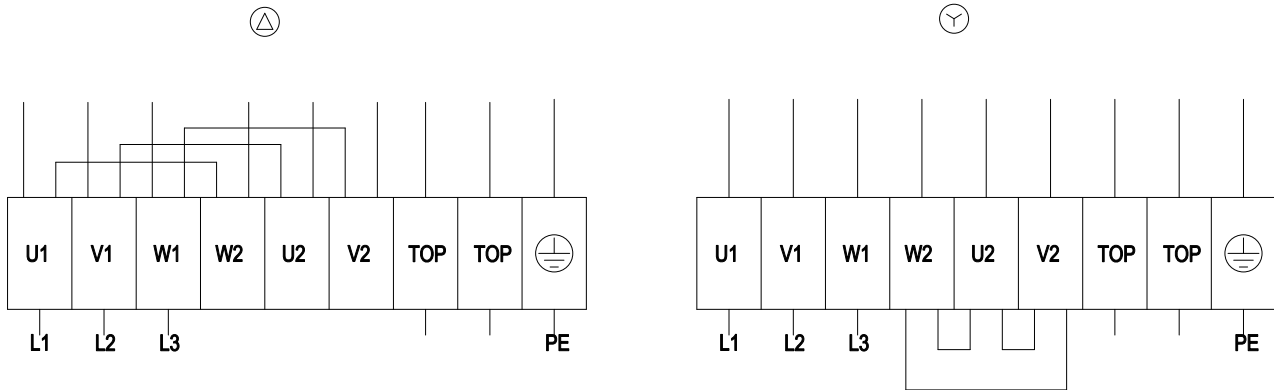


1	Direction of air flow "V"
2	Tightening torque 0.8±0.15 Nm
3	Illustration without terminal box cover
4	Cable diameter: min. 6 mm, max. 12 mm; tightening torque: 2 ± +0.3 Nm

AC axial fan - HyBlade®

sickled blades (S series), single inlet
with guard grille for short nozzle

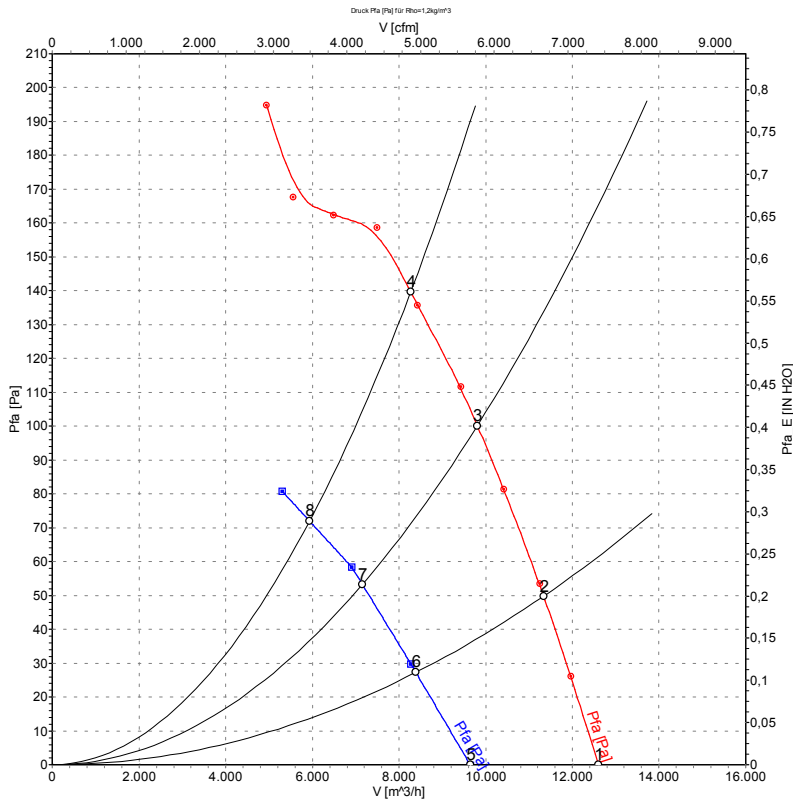
Connection screen



Note: Direction of rotation changes when two phases are reversed

Δ	Delta-connection	Y	Star connection	L1	= U1 = black
L2	= V1 = blue	L3	= W1 = brown	W2	yellow
U2	green	V2	white	TOP	2 x grey
PE	green / yellow				

Charts: Air flow 50 Hz



Measurement: LU-110468
Measurement: LU-113343

Measured values

	Conn.	U	f	n	P ₁	I	LpA _{ss}	LpA _{ds}	LwA _{ss}	LwA _{ds}	Ṃ	P _{fa}
		[V]	[Hz]	[min ⁻¹]	[W]	[A]	[dB(A)]	[dB(A)]	[dB(A)]	[dB(A)]	[m ³ /h]	[Pa]
1	Δ	400	50	1295	961	1.69	67	61	74	75	12600	0
2	Δ	400	50	1270	1025	1.78	66	58	73	74	11340	50
3	Δ	400	50	1250	1092	1.87	65	58	72	73	9810	100
4	Δ	400	50	1220	1160	1.95	70	61	77	76	8270	140
5	Y	400	50	990	604	1.01	61	54	67	68	9640	0
6	Y	400	50	930	616	1.03	59	50	65	66	8390	27
7	Y	400	50	900	635	1.06	59	50	65	66	7155	53
8	Y	400	50	870	650	1.10	61	51	67	67	5935	72