

AC axial fan

sickled blades (S series)

with guard grille for short nozzle

ebm-papst Mulfingen GmbH & Co. KG

Bachmühle 2

74673 Mulfingen

Phone: +49 7938 81-0

Fax: +49 7938 81-110

www.fansco.com

sales@fansco.com

Nominal data

Type	S4D400-AP12-04				
Motor	M4D074-EI				
Phase		3~	3~	3~	3~
Nominal voltage	[V]	230	230	400	400
Connection		D	D	Y	Y
Frequency	[Hz]	50	60	50	60
Type of data definition		rfa	rfa	rfa	rfa
Valid for approval / standard		CE	CE	CE	CE
Speed	[min ⁻¹]	1450	1690	1450	1690
Power input	[W]	135	185	135	185
Current draw	[A]	0,76	0.68	0.44	0.39
Max. back pressure	[Pa]	150	120	150	120
Max. ambient temperature	[°C]	40	40	40	40
Air flow	[m ³ /h]	4000	4610	4000	4610
Back pressure	[Pa]	0	0	0	0
Sound pressure level	[dB(A)]	68	72	68	72

ml = max. load · me = max. efficiency · rfa = running at free air · cs = customer specs · cu = customer unit
Subject to alterations

AC axial fan

sickled blades (S series)
with guard grille for short nozzle

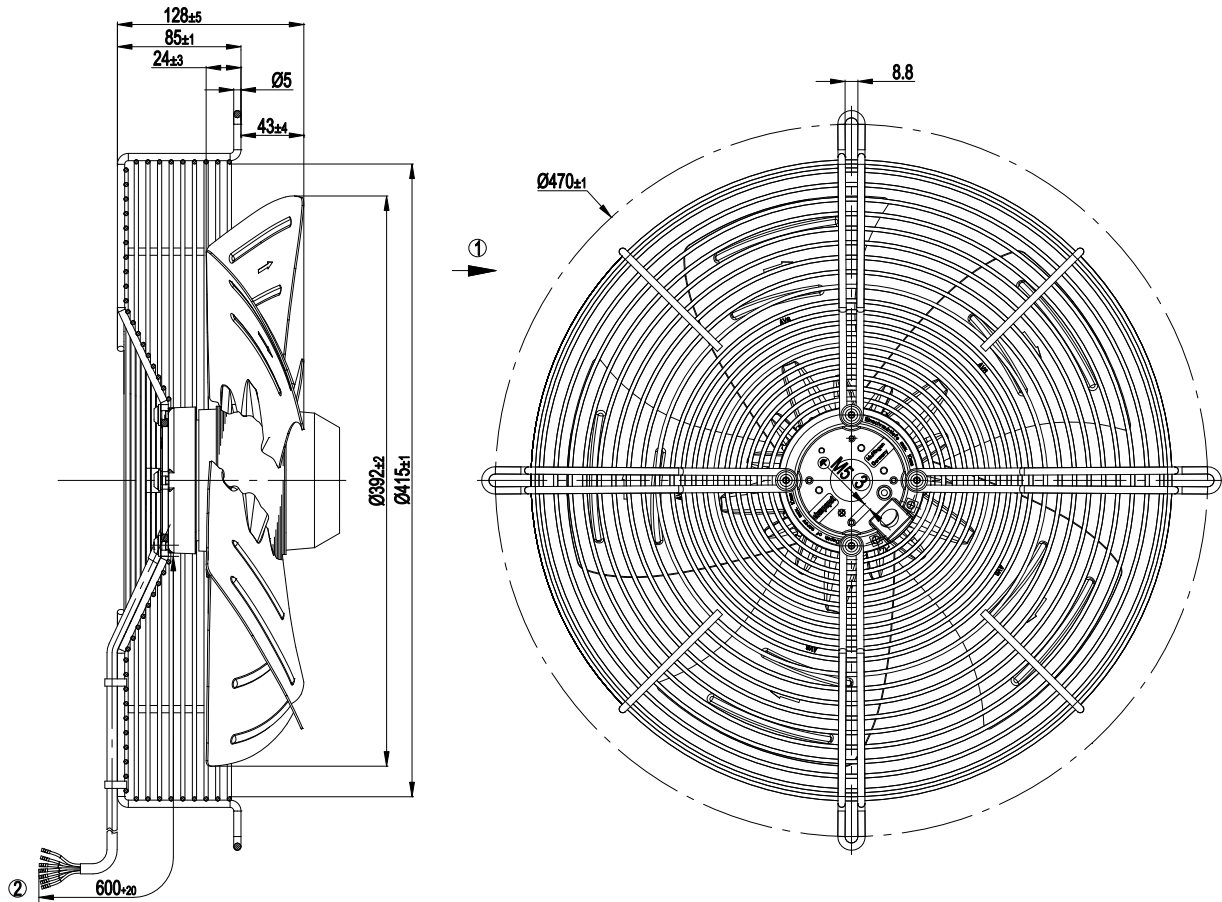
Technical features

Leakage current	< 0,75 mA
Size	400 mm
Operation mode	S1
Direction of rotation	Clockwise, seen on rotor
Mounting position	Any
Direction of air flow	"A"
Insulation class	"B"
Cable exit	Variable
Condensate discharge holes	Rotor-side
Bearing motor	Ball bearing
Mass	4.2 kg
Material of impeller	Sheet steel, coated in black
Material of guard grille	Steel, phosphated and coated in black plastic
Product conforming to standard	EN 60335-1
Surface of rotor	Coated in black
Number of blades	5
Type of protection	IP 44 - depending on position
Protection class	I
Max. permissible ambient motor temp. (transp./ storage)	+ 80 °C
Min. permissible ambient motor temp. (transp./storage)	- 40 °C
Approval	CCC

AC axial fan

sickled blades (S series)
with guard grille for short nozzle

Product drawing



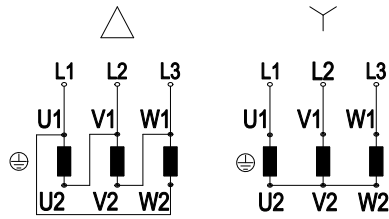
1	Direction of air flow "V"
2	Connection line PVC, 7x brass lead tips crimped
3	Depth of screw max. 10mm

AC axial fan

sickled blades (S series)

with guard grille for short nozzle

Connection screen



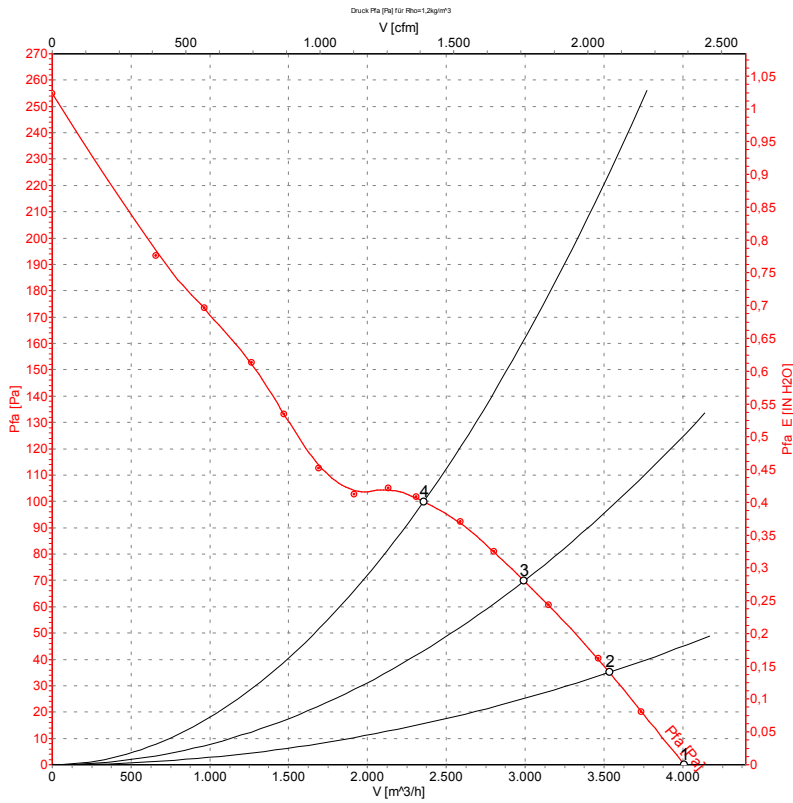
Note: Direction of rotation changes when two phases are reversed

Δ	Delta connection	Y	Star connection	L1	black
L2	blue	L3	brown	U1	black
V1	blue	W1	brown	U2	green
V2	white	W2	yellow		

AC axial fan

sickled blades (S series)
with guard grille for short nozzle

Charts: Air flow 50 Hz



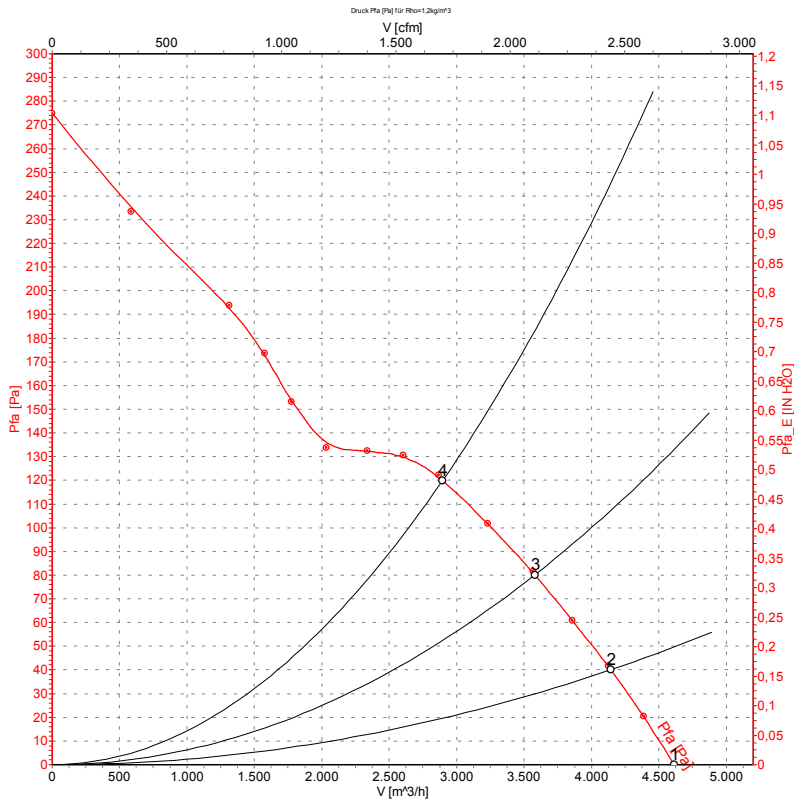
Measured values

	U	f	n	P ₁	I	\hat{V}	P _{fa}
	[V]	[Hz]	[min ⁻¹]	[W]	[A]	[m³/h]	[Pa]
1	400	50	1450	135	0.44	4000	0
2	400	50	1435	161	0.47	3535	35
3	400	50	1420	182	0.49	2995	70
4	400	50	1410	203	0.50	2355	100

AC axial fan

sickled blades (S series)
with guard grille for short nozzle

Charts: Air flow 60 Hz



Measurement: LU-27623

Measured values

	U	f	n	P ₁	I	\hat{V}	P _{fa}
	[V]	[Hz]	[min ⁻¹]	[W]	[A]	[m ³ /h]	[Pa]
1	400	60	1690	185	0.39	4615	0
2	400	60	1660	223	0.45	4145	40
3	400	60	1635	256	0.49	3580	80
4	400	60	1605	290	0.54	2895	120