


ebm-papst Mulfingen GmbH & Co. KG

Bachmühle 2
74673 Mulfingen
Phone: +49 7938 81-0
Fax: +49 7938 81-110
www.fansco.com
sales@fansco.com

Nominal data

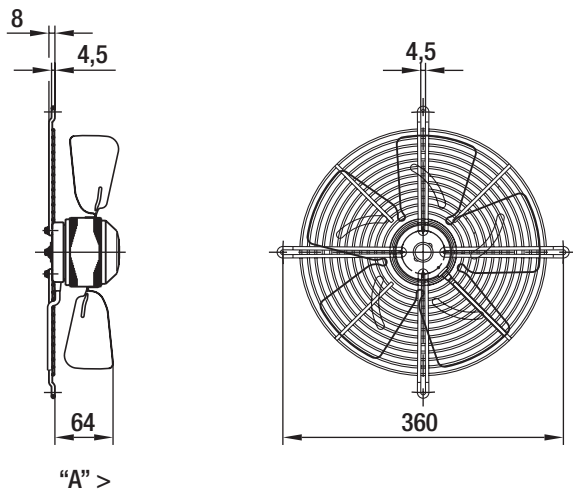
Type	S2D300-BD02-02				
Motor	M2D068-EC				
Phase		3~	3~	3~	3~
Nominal voltage	[V]	230	230	400	400
Connection		D	D	Y	Y
Frequency	[Hz]	50	60	50	60
Type of data definition		rfa	rfa	rfa	rfa
Valid for approval / standard		CE	CE	CE	CE
Speed	[min ⁻¹]	2650	2800	2650	2800
Power input	[W]	180	270	180	270
Current draw	[A]	0,54	0.71	0.31	0.41
Max. back pressure	[Pa]	150	100	150	100
Max. ambient temperature	[°C]	60	35	60	35
Air flow	[m ³ /h]	2760	2940	2760	2940
Back pressure	[Pa]	0	0	0	0
Sound pressure level	[dB(A)]	76	77	76	77

ml = max. load · me = max. efficiency · rfa = running at free air · cs = customer specs · cu = customer unit
Subject to alterations

Technical features

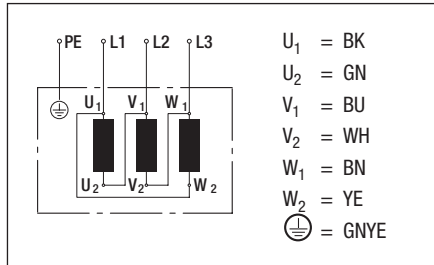
Size	300 mm
Operation mode	S1
Direction of rotation	Clockwise, seen on rotor
Direction of air flow	"A"
Insulation class	"B"
Cable exit	Lateral
Bearing motor	Ball bearing
Mass	2.7 kg
Material of impeller	Sheet steel (enameled in black)
Number of blades	5
Type of protection	IP 44 - depending on position
Protection class	I

Product drawing

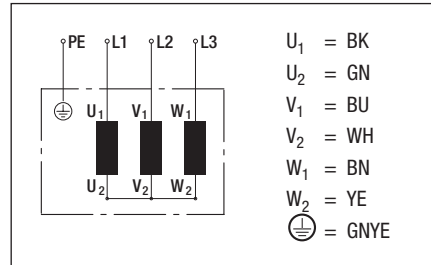


Connection screen

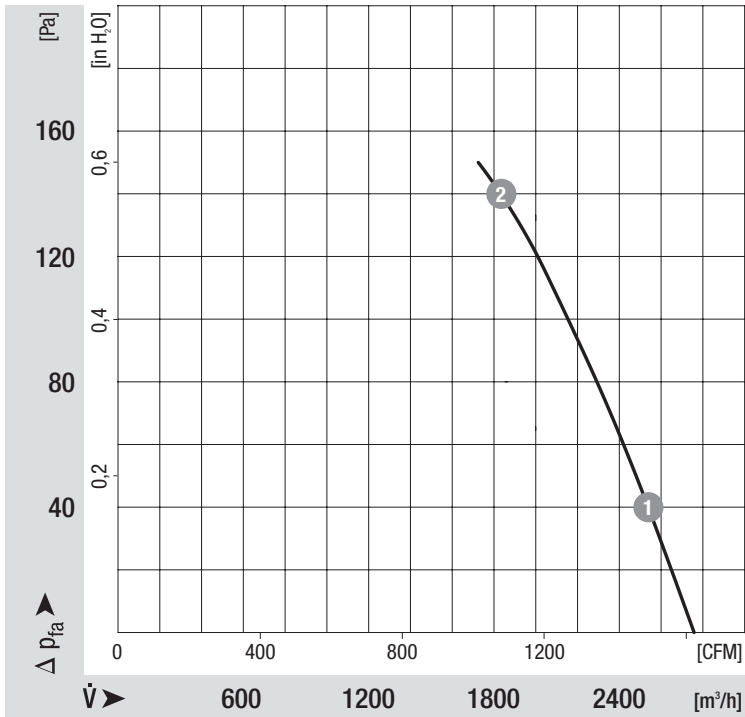
Delta (3~ 230 VAC)



Star (3~ 400 VAC)



Charts: Air flow 50 Hz



Measured values

	n	P ₁	I
	[min ⁻¹]	[W]	[A]
1	2610	190	0.32
2	2535	220	0.35

Charts: Air flow 60 Hz

