

AC axial fan

straight blades (A series)

with guard grille for full nozzle

ebm-papst Mulfingen GmbH & Co. KG

Bachmühle 2 · D-74673 Mulfingen

Phone +49 7938 81-0

Fax +49 7938 81-110

sales@fansco.com

www.fansco.com

Limited partnership · Headquarters Mulfingen

Amtsgericht (court of registration) Stuttgart · HRA 590344

General partner Elektrobau Mulfingen GmbH · Headquarters Mulfingen

Amtsgericht (court of registration) Stuttgart · HRB 590142



Nominal data

Type	S2D250-BA02-01		
Motor	M2D068-DF		
Phase		3~	3~
Nominal voltage	VAC	400	400
Wiring		Y	Y
Frequency	Hz	50	60
Method of obtaining data		fa	fa
Valid for approval/standard		CE	CE
Speed (rpm)	min ⁻¹	2650	2950
Power consumption	W	110	160
Current draw	A	0.22	0.26
Max. back pressure	Pa	250	300
Max. back pressure	inH ₂ O	1	1.2
Min. ambient temperature	°C	-25	-25
Max. ambient temperature	°C	70	40

ml = Max. load · me = Max. efficiency · fa = Free air · cs = Customer specification · ce = Customer equipment
Subject to change

Data according to ErP Directive

		Actual	Req. 2015			
01 Overall efficiency η_{es}	%	28.1	28.1	09 Power consumption P_e	kW	0.13
02 Measurement category		A		09 Air flow q_v	m ³ /h	1050
03 Efficiency category		Static		09 Pressure increase p_{fs}	Pa	121
04 Efficiency grade N		40	40	10 Speed (rpm) n	min ⁻¹	2600
05 Variable speed drive		No		11 Specific ratio*		1.00

Data obtained at optimum efficiency level.

The ErP data is determined using a motor-impeller combination in a standardized measurement setup.

* Specific ratio = $1 + p_g / 100\,000\text{ Pa}$

LU-69121



AC axial fan

straight blades (A series)
with guard grille for full nozzle

Technical description

Weight	2.5 kg
Fan size	250 mm
Rotor surface	Painted black
Blade material	Sheet steel, painted black
Guard grille material	Steel, coated with black plastic (RAL 9005)
Number of blades	5
Airflow direction	"V"
Direction of rotation	Counterclockwise, viewed toward rotor
Degree of protection	IP44; installation- and position-dependent as per EN 60034-5
Insulation class	"B"
Moisture (F) / Environmental (H) protection class	H0+
Max. permitted ambient temp. for motor (transport/storage)	+ 80 °C
Min. permitted ambient temp. for motor (transport/storage)	- 40 °C
Installation position	Shaft horizontal or rotor on bottom; rotor on top on request
Condensation drainage holes	On rotor side
Mode	Continuous operation (S1)
Motor bearing	Ball bearing
Touch current according to IEC 60990 (measuring circuit Fig. 4, TN system)	< 0.75 mA
With cable	Lateral
Protection class	I (with customer connection of protective earth)
Conformity with standards	EN 60335-1
Approval	CCC

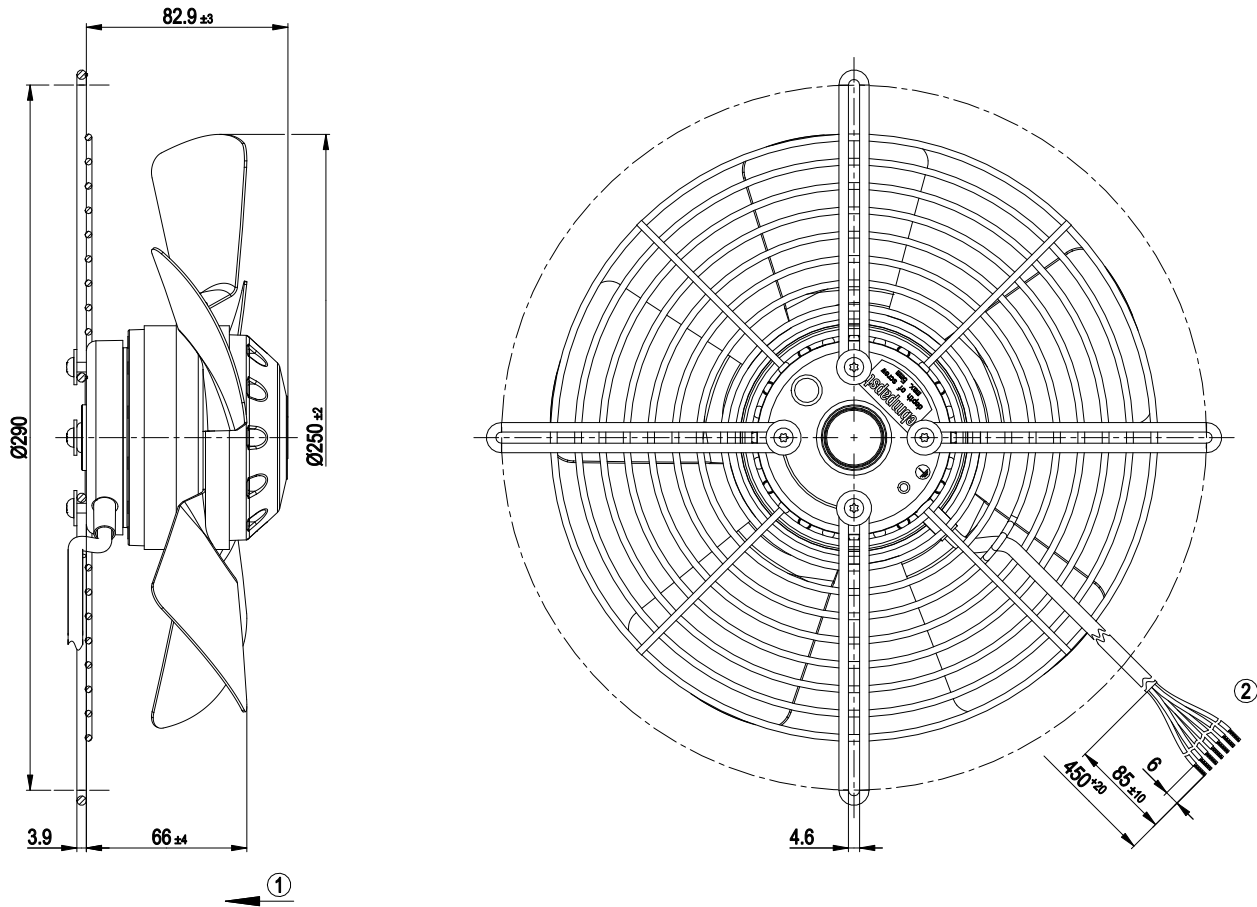


AC axial fan

straight blades (A series)

with guard grille for full nozzle

Product drawing



- | | |
|---|---|
| 1 | Direction of air flow "V" |
| 2 | Cable PVC 7G 0.5 mm ² , 7x crimped splices |

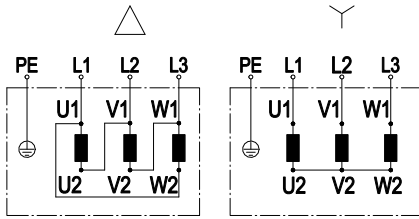


AC axial fan

straight blades (A series)

with guard grille for full nozzle

Connection diagram



Change of rotation direction by reversing two phases

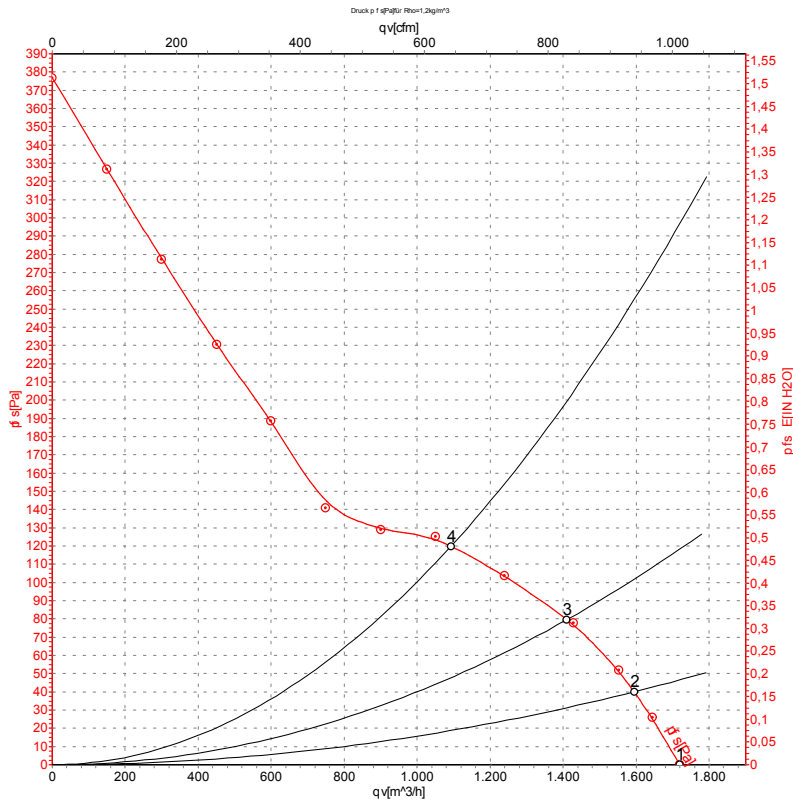
	Three-phase motor	Δ	Delta connection	Y	Star connection
L1	= U1 = black	L2	= V1 = blue	L3	= W1 = brown
U2	green	V2	white	W2	yellow
PE	green/yellow				



AC axial fan

straight blades (A series)
with guard grille for full nozzle

Curves: Air performance 50 Hz Y



Measurement: LU-69121-1

Air performance measured according to ISO 5801 installation category A. For detailed information on the measurement setup, contact ebm-papst. Intake sound level: Sound power level according to ISO 13347 / sound pressure level measured at 1 m distance from fan axis. The values given are valid under the specified measuring conditions and may vary due to conditions of installation. For deviations from the standard configuration, the parameters have to be checked on the installed unit.

Measured values

	Wired	U	f	n	P _e	I	qv	p _{fs}	qv	p _{fs}
		V	Hz	min ⁻¹	W	A	m ³ /h	Pa	CFM	inH ₂ O
1	Y	400	50	2650	110	0.22	1720	0	1010	0.00
2	Y	400	50	2620	126	0.23	1595	40	940	0.16
3	Y	400	50	2600	131	0.24	1410	80	830	0.32
4	Y	400	50	2595	131	0.24	1090	120	645	0.48

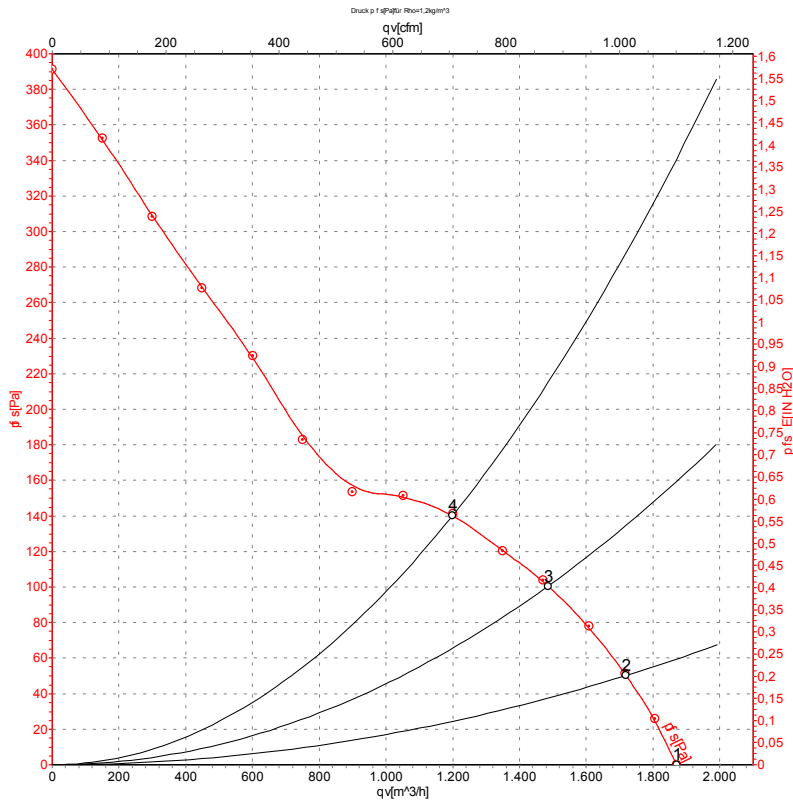
Wired = Wiring · U = Power supply · f = Frequency · n = Speed (rpm) · P_e = Power consumption · I = Current draw · qv = Air flow · p_{fs} = Pressure increase



AC axial fan

straight blades (A series)
with guard grille for full nozzle

Curves: Air performance 60 Hz Y



Measurement: LU-69123-1

Air performance measured according to ISO 5801 installation category A. For detailed information on the measurement setup, contact ebm-papst. Intake sound level: Sound power level according to ISO 13347 / sound pressure level measured at 1 m distance from fan axis. The values given are valid under the specified measuring conditions and may vary due to conditions of installation. For deviations from the standard configuration, the parameters have to be checked on the installed unit.

Measured values

	Wired	U	f	n	P _e	I	qv	p _{fs}	qv	p _{fs}
		V	Hz	min ⁻¹	W	A	m ³ /h	Pa	CFM	inH ₂ O
1	Y	400	60	2950	160	0.26	1870	0	1100	0.00
2	Y	400	60	2850	177	0.28	1720	50	1010	0.20
3	Y	400	60	2810	184	0.29	1485	100	875	0.40
4	Y	400	60	2805	184	0.29	1200	140	705	0.56

Wired = Wiring · U = Power supply · f = Frequency · n = Speed (rpm) · P_e = Power consumption · I = Current draw · qv = Air flow · p_{fs} = Pressure increase

