

S2D200-BI18-01

# AC axial fan with guard grille for full nozzle sickled blades (S series)



**ebm-papst Mulfingen GmbH & Co. KG**

Bachmühle 2

74673 Mulfingen

Phone: +49 7938 81-0

Fax: +49 7938 81-110

[www.fansco.com](http://www.fansco.com)

[sales@fansco.com](mailto:sales@fansco.com)

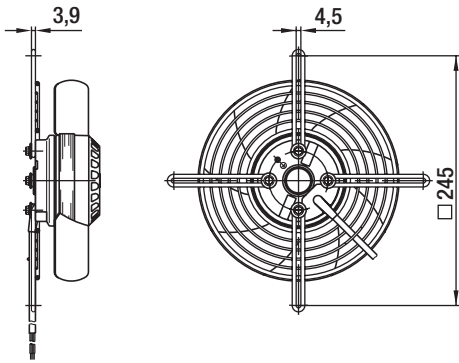
## Technical features

<b>Size</b>	200 mm
<b>Operation mode</b>	Continuous operation (S1)
<b>Direction of air flow</b>	"A"
<b>Insulation class</b>	"B"
<b>Cable exit</b>	Lateral
<b>Bearing-motor</b>	Ball bearing
<b>Mass</b>	1.6 kg
<b>Material of electronics housing</b>	Rotor: Coated in black
<b>Material of impeller</b>	Sheet steel, coated in black
<b>Number of blades</b>	9
<b>Type of protection</b>	IP 44
<b>Protection class</b>	I
<b>Approval</b>	CCC

S2D200-BI18-01

# AC axial fan with guard grille for full nozzle sickled blades (S series)

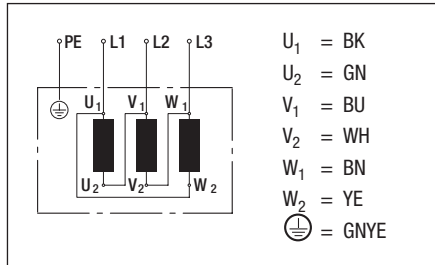
## Product drawing



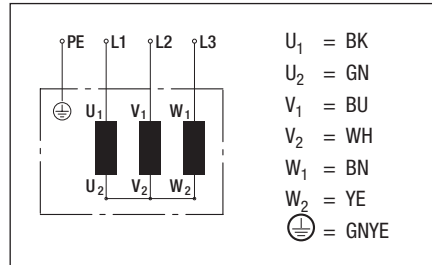
"A" >

Connection screen

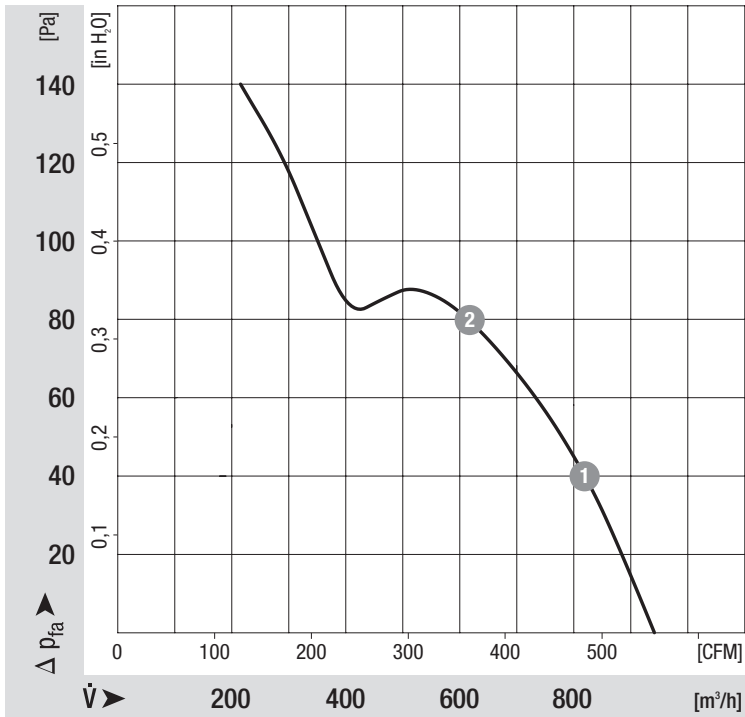
Delta (3~ 230 VAC)



Star (3~ 400 VAC)



## Charts: Air flow 50 Hz



	n	P <sub>1</sub>	I
	[min <sup>-1</sup> ]	[W]	[A]
1	2540	70	0.17
2	2470	74	0.17

Charts: Air flow 60 Hz

