

RG175/2000-3633

EC centrifugal fan with housing (small flange)

single inlet

gas blower for gas-condensing heating



ebm-papst Landshut GmbH

Hofmark-Aich-Straße 25

74673 Landshut

Phone: +49 871 707-0

Fax: +49 871 707-465

www.fansco.com

sales@fansco.com

Nominal data

Type	RG175/2000-3633	
Nominal voltage	[VAC]	230
Frequency	[Hz]	50
State		prelim.
Speed	[min ⁻¹]	8200
Power input	[W]	240
Motor capacitor	[µF]	390000
Air flow	[m ³ /h]	390

ml = maximum load · rfa = running at free air · cs = customer specs
Subject to alterations

Technical features

Connection line	B and C
Mounting position	To be specified for corresponding support elements
Bearing	Ball bearings
Mass	3.3 kg
Housing material	Die-cast aluminum

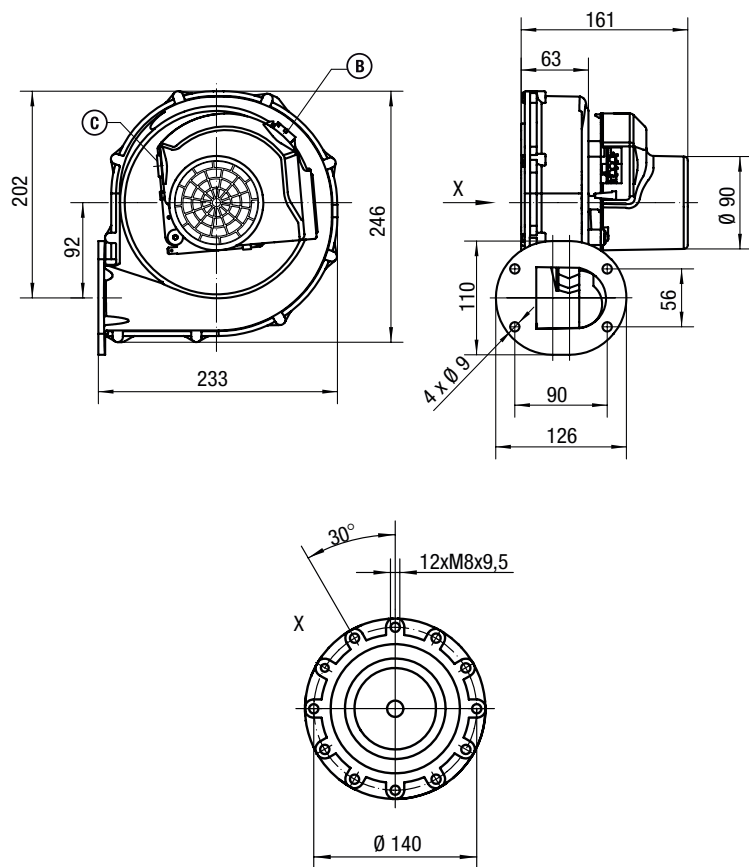
RG175/2000-3633

EC centrifugal fan with housing (small flange)

single inlet

gas blower for gas-condensing heating

Product drawing

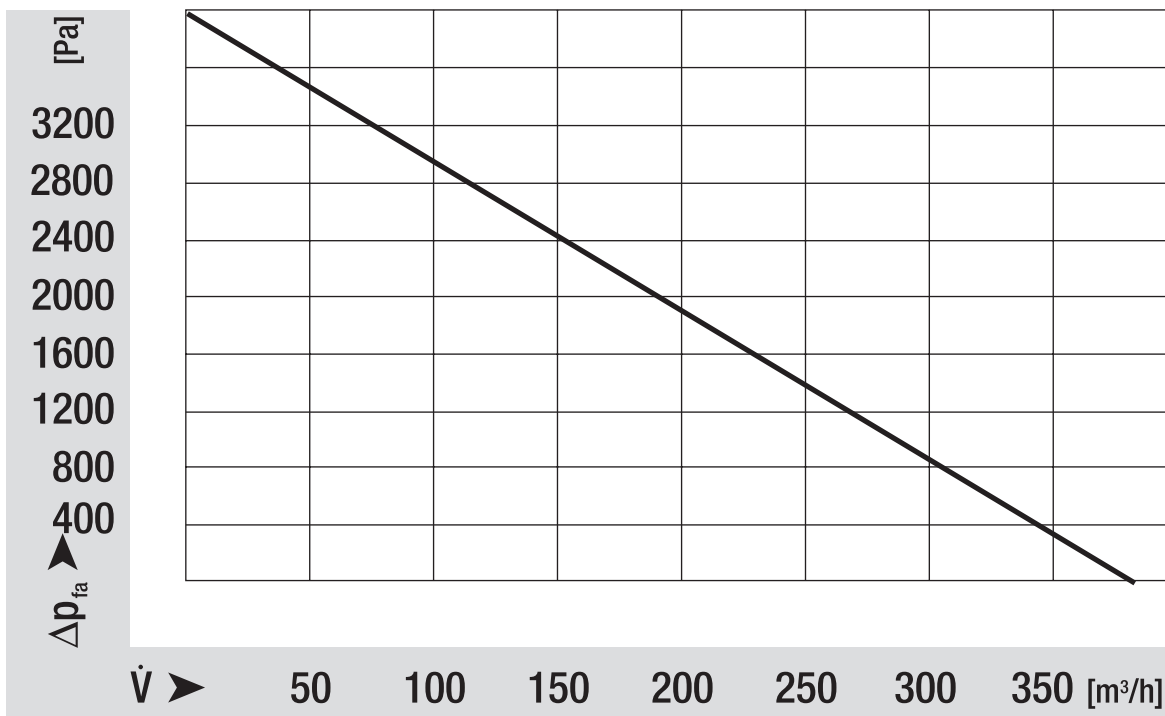


EC centrifugal fan with housing (small flange)

single inlet

gas blower for gas-condensing heating

Charts: Air flow



EC centrifugal fan with housing (small flange)

single inlet

gas blower for gas-condensing heating

Charts: Speed

