

**ebm-papst St. Georgen GmbH & Co. KG**

Hermann-Papst-Str. 1

D-78112 St. Georgen

Phone +49 (0) 7724 81-0

Fax +49 (0) 7724 81-1309

sales@fansco.com

www.fansco.com

Nominal data

Type	RG 160-28/18/ 2NTDHHP	
Nominal voltage	VDC	48
Nominal voltage range	VDC	36 .. 60
Speed (rpm)	min ⁻¹	6000
Power consumption	W	159
Min. ambient temperature	°C	-20
Max. ambient temperature	°C	65
Air flow	m ³ /h	444
Sound power level	B	8.5

ml = Max. load · me = Max. efficiency · fa = Free air · cs = Customer specification · ce = Customer equipment
Subject to change

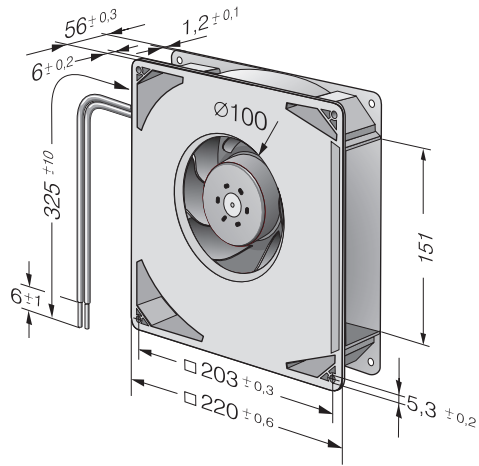


Technical description

General description	3-phase fan drive with very smooth operation Backward-curved impeller
Housing material	Scroll housing made of glass-fiber reinforced plastic, housing base made of sheet steel
Impeller material	Glass-fiber reinforced plastic
Weight	1.4 kg
Dimensions	220 x 220 x 56 mm
Airflow direction	Axial: intake radial: discharge
Storage	Ball bearing
Service life L10 at 40 °C	40000 h
Service life L10 at maximum temperature	22500 h
Cable	Flat plug 6.3 x 0.8 mm for protective earth



Product drawing



Curves

