

RG 160-28/18 NTDI

# DC centrifugal compact fan

single-intake



## ebm-papst St. Georgen GmbH & Co. KG

Hermann-Papst-Str. 1

D-78112 St. Georgen

Phone +49 (0) 7724 81-0

Fax +49 (0) 7724 81-1309

sales@fansco.com

www.fansco.com

## Nominal data

Type	RG 160-28/18 NTDI	
Nominal voltage	VDC	48
Nominal voltage range	VDC	38 .. 57
Speed (rpm)	min <sup>-1</sup>	4200
Power consumption	W	59.0
Min. ambient temperature	°C	-20
Max. ambient temperature	°C	70
Air flow	m <sup>3</sup> /h	308
Sound power level	B	7.5

ml = Max. load · me = Max. efficiency · fa = Free air · cs = Customer specification · ce = Customer equipment  
Subject to change

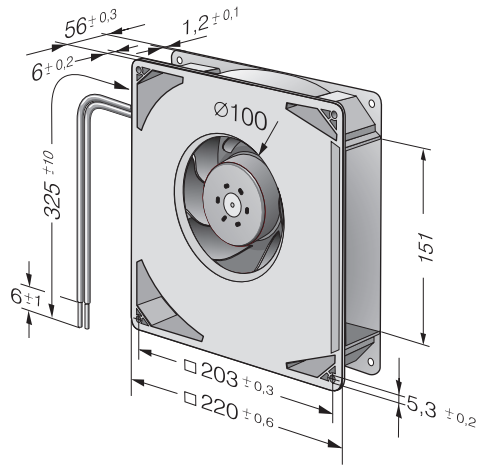


## Technical description

<b>General description</b>	3-phase fan drive with very smooth operation Backward-curved impeller
<b>Housing material</b>	Scroll housing made of glass-fiber reinforced plastic, housing base made of sheet steel
<b>Weight</b>	1.400 kg
<b>Dimensions</b>	220 x 220 x 56 mm
<b>Impeller material</b>	Glass-fiber reinforced plastic
<b>Airflow direction</b>	Radial, discharge through window in housing
<b>Storage</b>	Ball bearing
<b>Service life L10 at 40 °C</b>	55000 h
<b>Service life L10 at maximum temperature</b>	27500 h
<b>Cable</b>	Flat plug 6.3 x 0.8 mm for protective earth
<b>Approval</b>	VDE, CSA, UL, CE



Product drawing



## Curves

