

RG 160-28/06S

# AC centrifugal compact fan

single-intake



## ebm-papst St. Georgen GmbH & Co. KG

Hermann-Papst-Str. 1  
D-78112 St. Georgen  
Phone +49 (0) 7724 81-0  
Fax +49 (0) 7724 81-1309  
sales@fansco.com  
www.fansco.com

### Nominal data

Type	RG 160-28/06S	
Phase		1~
Nominal voltage	VAC	115
Frequency	Hz	60
Speed (rpm)	min <sup>-1</sup>	3050
Power consumption	W	50.0
Min. ambient temperature	°C	-30
Max. ambient temperature	°C	80
Air flow	m <sup>3</sup> /h	223
Sound power level	B	6.9

ml = Max. load · me = Max. efficiency · fa = Free air · cs = Customer specification · ce = Customer equipment  
Subject to change

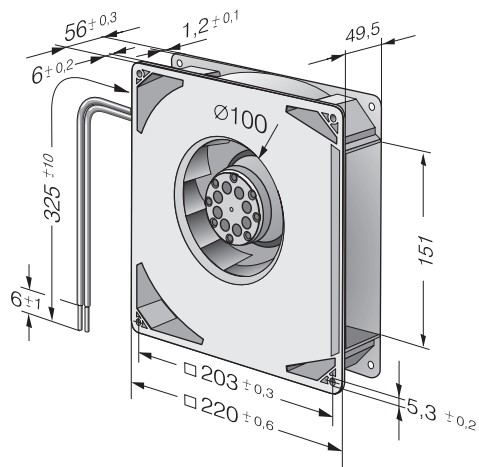


## Technical description

<b>General description</b>	Backward-curved impeller
<b>Weight</b>	1.700 kg
<b>Dimensions</b>	220 x 220 x 56 mm
<b>Impeller material</b>	Glass-fiber reinforced PA plastic
<b>Housing material</b>	Scroll housing made of glass-fiber reinforced plastic, housing base made of galvanized sheet steel.
<b>Airflow direction</b>	Radial, discharge through window in housing
<b>Direction of rotation</b>	Counterclockwise, viewed toward rotor
<b>Storage</b>	Ball bearing
<b>Service life L10 at 40 °C</b>	27500 h
<b>Service life L10 at maximum temperature</b>	12500 h
<b>Cable</b>	To 2 leads AWG 18
<b>Motor protection</b>	Protected from overload by impedance protection
<b>Approval</b>	VDE, CSA, UL, CE



## Product drawing



## Curves: Air performance

