

Product Data Sheet RG160-28/18N/2TDPU-331

ebmpapst

Die Wahl der Ingenieure



RG160-28/18N/2TDPU-331

INDEX

1	General	3
2	Mechanics	3
2.1	General	3
2.2	Connections	3
3	Operating Data	5
3.1	Operating Data - Electrical Interface - Input	5
3.2	Electrical Operating Data	6
3.3	Operating Data - Electrical Interface - Output	7
3.4	Electrical Features	8
3.5	Aerodynamics	9
3.6	Sound Data	10
4	Environment	10
4.1	General	10
4.2	Climatic Requirements*)	10
5	Safety	11
5.1	Electrical Safety	11
5.2	Approval Tests	11
6	Reliability	11
6.1	General	11

1 General

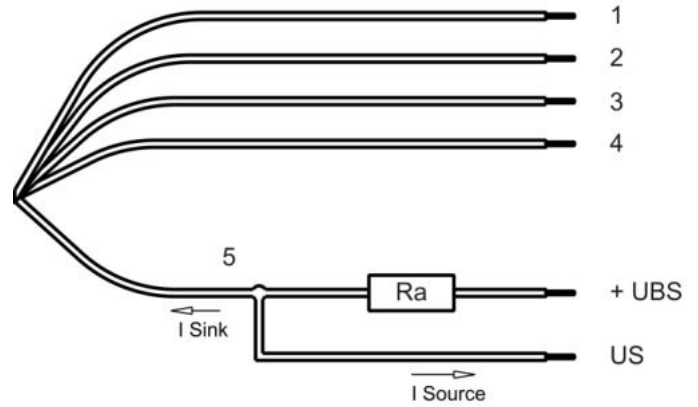
Fan type	Radial blower	
Rotating direction looking at rotor	Counterclockwise	
Airflow direction	Air in axially, Air out radially	
Bearing system	Ball bearing	
Mounting position	Any	

2 Mechanics**2.1 General**

Width	220,0 mm	
Height	220,0 mm	
Depth	56,0 mm	
Mass	1,560 kg	
Housing material	Mixed	
Impeller material	Plastic	
Max. torque when mounted across both mounting flanges; Metal flange on mounting plate	wire outlet corner: 70 Ncm remaining corners: 70 Ncm	
Screw size	ISO 4762 - M4 degreased, without an additional brace and without washer	

2.2 Connections

Electrical connection	Wires - Plug	
Lead wire length	L = 315 mm	
Tolerance	+ - 5,0 mm	
Wire size (AWG)	22	
Insulation diameter	1,35 mm	
Contact	See drawing	



	Colour	Operation
Wire 1	red	+ UB
Wire 2	blue	- GND
Wire 3	violet	PWM
Wire 4	brown	- GND PWM
Wire 5	white	Tacho

The auxiliaries shown on the schematic diagram (which are required for the intended use) are not part of our delivery.

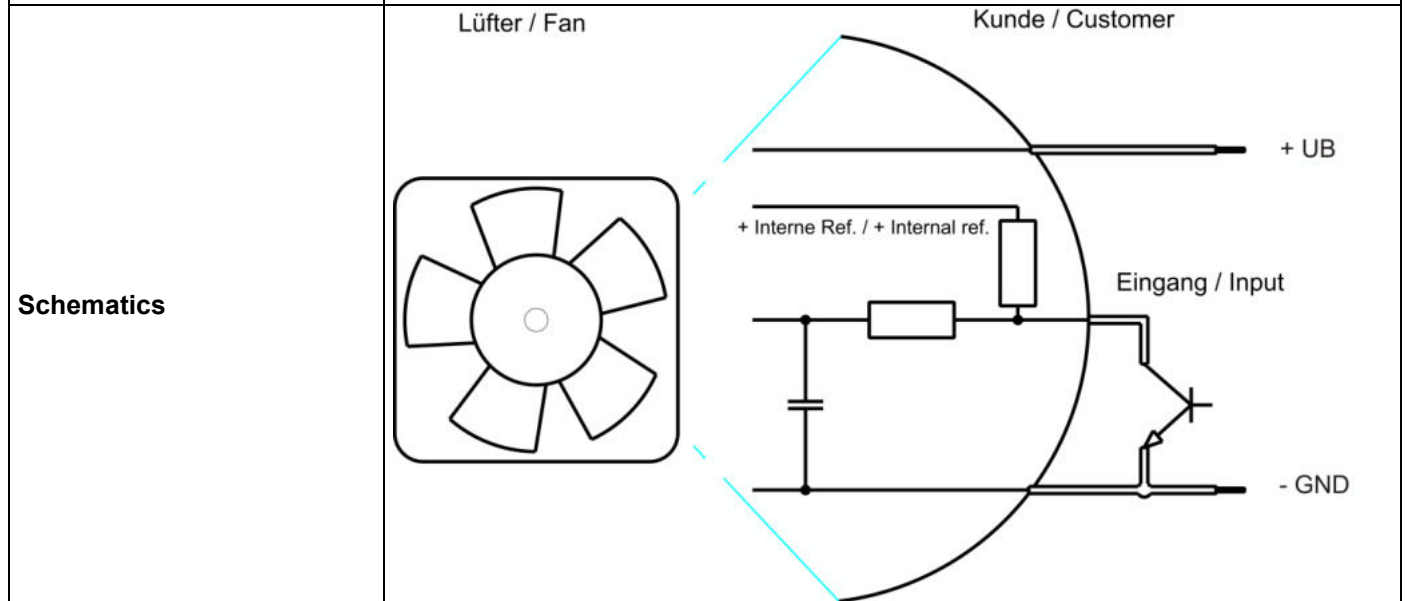
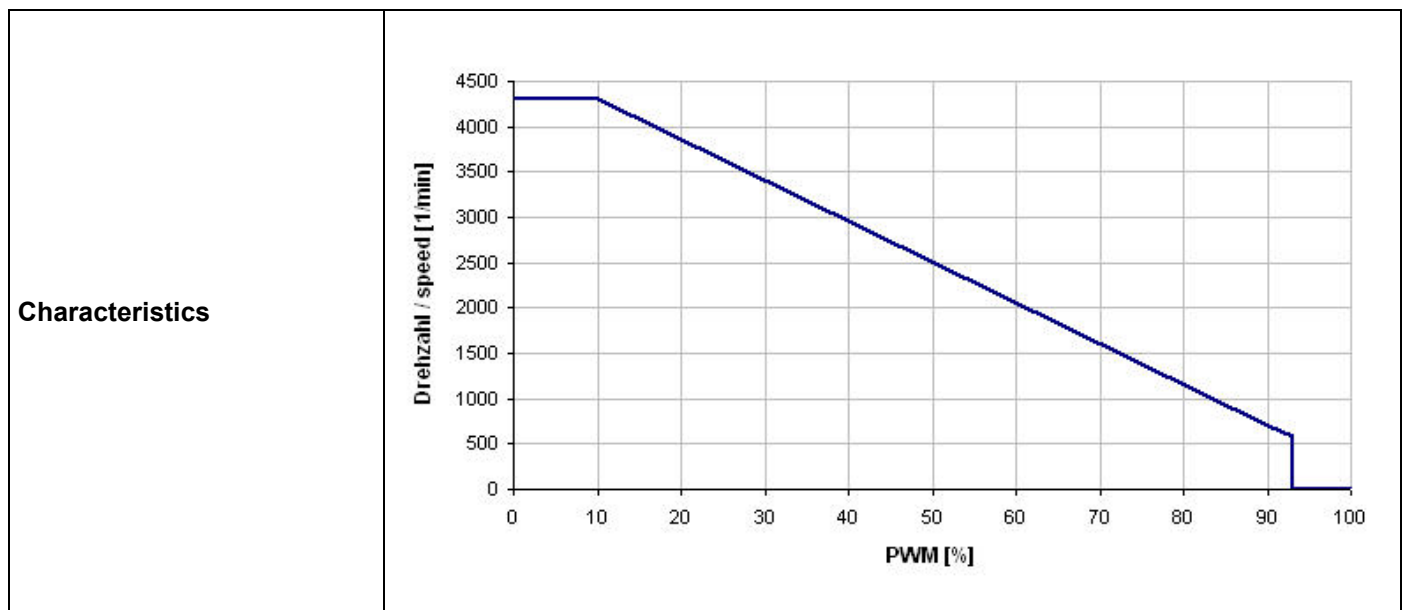
3 Operating Data

3.1 Operating Data - Electrical Interface - Input

Control input	PWM
---------------	-----

Features

Input type	Open collector	
PWM - Frequency		Typical: 2 kHz Range: 1 kHz - 10 kHz



Speed control:

By pulse width modulation (PWM) 100...0%. Open collector in relation to signal-ground (-GND PWM). The pull-up resistor to the internal reference voltage (+5V) has a resistance of 4.7kOhm.

3.2 Electrical Operating Data

Measurement conditions: Normal air density = 1,2 kg/m³; Temperature 23°C +/- 3°C; Motor axis horizontal; warm-up time before measuring 5 minutes (unless otherwise specified). In the intake and outlet area should not be any solid obstruction within 0,5 m.

Δp = 0: corresp. to free air flow (see section 3.5)
 I: corresp. to arithm. mean current value

Name	Condition
PWM 0001	PWM: 0 %;

Features	Condition	Symbol	Values		
Voltage range	Δp = 0	U	38,4 V		57,6 V
Nominal voltage	Δp = 0	U _N		48,0 V	
Power consumption	Δp = 0	P	38,4 W	57,6 W	54,7 W
Tolerance	PWM 0001		+/- 17,5 %	+/- 12,5 %	+/- 15,0 %
Current consumption	Δp = 0	I	1.000 mA	1.200 mA	950 mA
Tolerance	PWM 0001		+/- 17,5 %	+/- 12,5 %	+/- 15,0 %
Speed	Δp = 0	n	3.850 1/min	4.270 1/min	4.270 1/min
Tolerance	PWM 0001		+/- 12,5 %	+/- 7,5 %	+/- 10,0 %

****)**
To note inrush current @ U nom:
 The internal electrolytic capacitor 220uF/63V has an inrush current limitation via P-Ch FET in the GND-Line and is limited to ~5A.

Built into the fan is an additional under- and overvoltage control, which switches the power stage and the fan off if the following conditions are reached.
 At U <= 29,0 V and / or U >= 74,0 V is n = 0 1/min

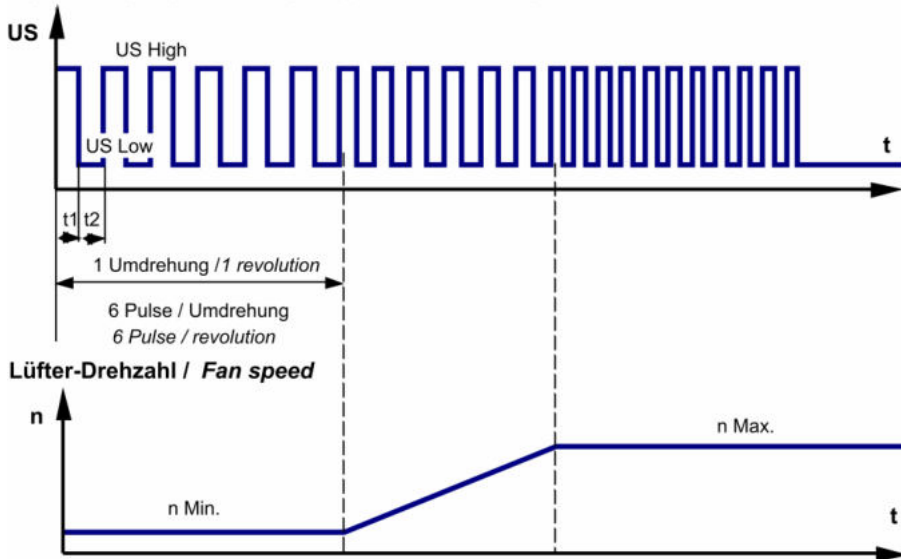
Name	Condition
PWM 0002	PWM: 50 %;

Features	Condition	Symbol	Values		
Voltage range	Δp = 0	U	38,4 V		57,6 V
Nominal voltage	Δp = 0	U _N		48,0 V	
Power consumption	Δp = 0	P	12,5 W	12,5 W	13,0 W
Tolerance	PWM 0002		+/- 17,5 %	+/- 12,5 %	+/- 15,0 %
Current consumption	Δp = 0	I	320 mA	260 mA	230 mA
Tolerance	PWM 0002		+/- 17,5 %	+/- 12,5 %	+/- 15,0 %
Speed	Δp = 0	n	2.450 1/min	2.450 1/min	2.450 1/min
Tolerance	PWM 0002		+/- 12,5 %	+/- 7,5 %	+/- 10,0 %

3.3 Operating Data - Electrical Interface - Output

Tacho type	/2 (open collector)
------------	---------------------

Signal-Ausgangsspannung / Signal output voltage



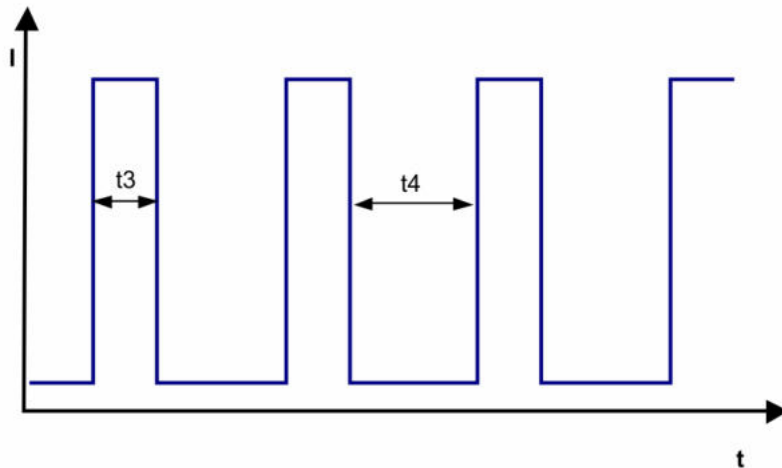
$$R_a = \frac{U_{BS} - U_{S\ Low}}{I_{Sink}}$$

Features	Note	Values
Tacho operating voltage (UBS)		Max.: 40 V
Tacho signal Low	I sink: 2 mA	<= 0,4 V
Tacho signal High	I source: 0 mA	40 V
Maximum sink current		<= 20 mA
External resistor	External resistor Ra from UBS to US required. All voltages measured to GND.	
Tacho frequency	(6 x n) / 60	
Tacho isolated from motor	No	
Slew rate		=> 0,5 V/us

Alarm type	None
------------	------

3.4 Electrical Features

Electronic function	Speed-Controlled	
Reversed polarity protection Max. residual current at U_n	Rectifying diode $I_F \leq 10 \text{ mA}$	
Locked rotor protection	Auto restart	
Locked rotor current at U_n		
Clock signal t_3/t_4 at locked rotor	Typical: 1,0 s / 3,1 s	



Internal Fuse:

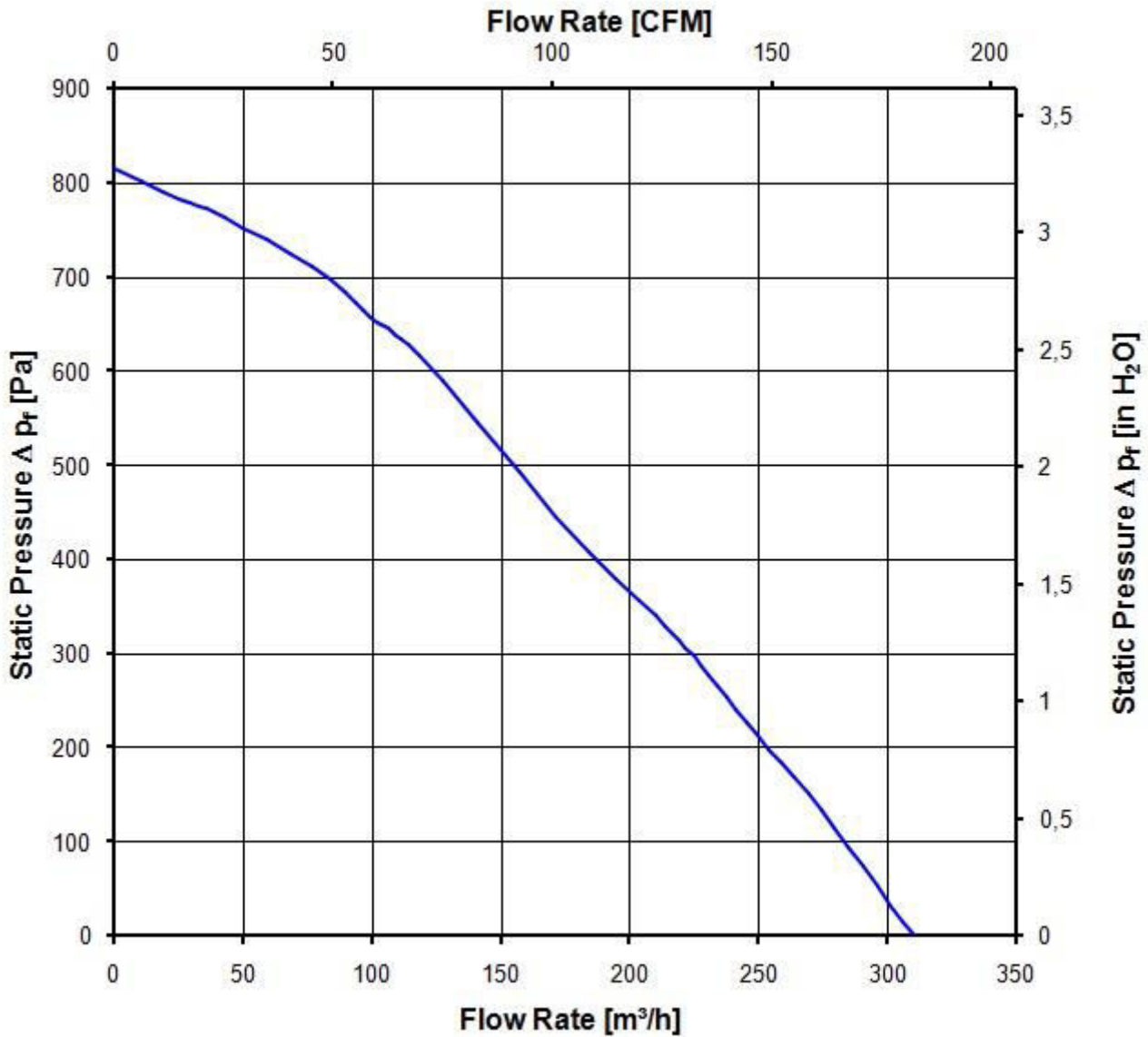
Littlefuse NANO2(R) FUSE; Very fast acting 451 Series; 2,5 A (Art.-Nr.: 451025)

3.5 Aerodynamics

Measurement conditions: Measured with a double chamber intake rig acc. to DIN EN ISO 5801.
 Normal air density = 1,2 kg/m³; Temperature 23°C +/- 3°C;
 In the intake and outlet area should not be any solid obstruction within 0,5 m.
 The information is only valid under the specified test conditions and may be changed by the installation conditions. If there are deviations from the standard test conditions, the characteristic values must be checked under the installed conditions.

a.) Operation condition:

4.270 1/min at free air flow	PWM 0 %;		
Max. free-air flow ($\Delta p = 0 / \dot{V} = \text{max.}$)		310,0 m ³ /h	
Max. static pressure ($\Delta p = \text{max.} / \dot{V} = 0$)		810 Pa	



3.6 Sound Data

Measurement conditions: Sound pressure level: 1 Meter distance between microphone and the air intake.
 Sound power level: Acc. to DIN 45635 part 38 (ISO 10302)
 Measured in a semianchoic chamber with a background noise level of $L_p(A) < 5 \text{ dB(A)}$
 For further measurement conditions see section 3.5

a.) Operation condition:

4.270 1/min at free air flow	PWM 0 %	PWM min.:	PWM max.:
Optimal operating point	188,0 m3/h @ 356 Pa		
Sound power level at the optimal operating point	7,5 bel(A)		

4 Environment

4.1 General

Min. permitted ambient temperature TU min.	-20 °C	
Max. permitted ambient temperature TU max.	75 °C	
Min. permitted storage temperature TL min.	-40 °C	
Max. permitted storage temperature TL max.	80 °C	

4.2 Climatic Requirements *)

IP-protection type (certified)	IP 68 (for fan only, not for connector if applicable) **)	
Humidity requirements	humid temperature, cyclic; according to DIN EN 60068-2-38, 10 cycle and condensation water check; according to DIN EN ISO 6270-2, 14 days	
Salt fog requirements	None	

*) Permitted application area:

The product is for the use in partial sheltered rooms or open, roofed areas. Direct exposure to water is allowed provided that this does not prevent the normal operation. Saline ambient conditions must be avoided.

Pollution degree 3 (according DIN EN 60664-1)

It occurs conductive pollution or dry non-conductive pollution which becomes conductive due to condensation.

***) The specification of the IP protection refers to the conditions mentioned in certification of the fan. The above mentioned short description of the protection scope is not final. For detailed information of the respective protection scope and definitions, see certification as well as DIN EN 60529 (protection by housings) and ISO 20653 (for vehicles) with the letter K.

Short description of the IP-protection type:

Solid particle Protection: Dust tight.

Protection against deliberate contact: Protected against contact to hazardous parts with a wire.

Protection against water: The fan test according to IP68 (Based on IEC 60529), is conducted in non-operating mode. The fan is tested by a complete immersion in water for a period of 2h at a water-level of 1,2m. Electrical connections are not immersed since they are customer specific.

5 Safety

5.1 Electrical Safety

Dielectric strength DIN EN 60950 (VDE 0805) and DIN EN 60335 (VDE 0700) A.) Type test Measuring conditions: After 48h of storage at 95% R.H. and 25°C. No arcing or breakdown is allowed! All connections together to ground. B.) Routine test Measuring conditions: At indoor climate. No arcing or breakdown is allowed! All connections together to ground.	500 VAC / 1 Min. 500 VAC / 1 Sec.	
Isolation resistance Measuring conditions: After 48h of storage at 95% R.H. and 25°C measured with U=500 VDC for 1 min.	RI > 10 MOhm	
clearance / creepage distance	1,0 mm / 1,2 mm	
Protection class	III	

5.2 Approval Tests

CE	EC Declaration of Conformity	Yes
EAC	Eurasian Conformity	Yes
UL	Underwriters Laboratories	Yes / UL507, Electric Fans
VDE	Association for Electrical, Electronic and Information Technologies	No
CSA	Canadian Standards Association	No
CCC	China Compulsory Certification	Yes / GB 12350 Safety Requirements for small Power Motors

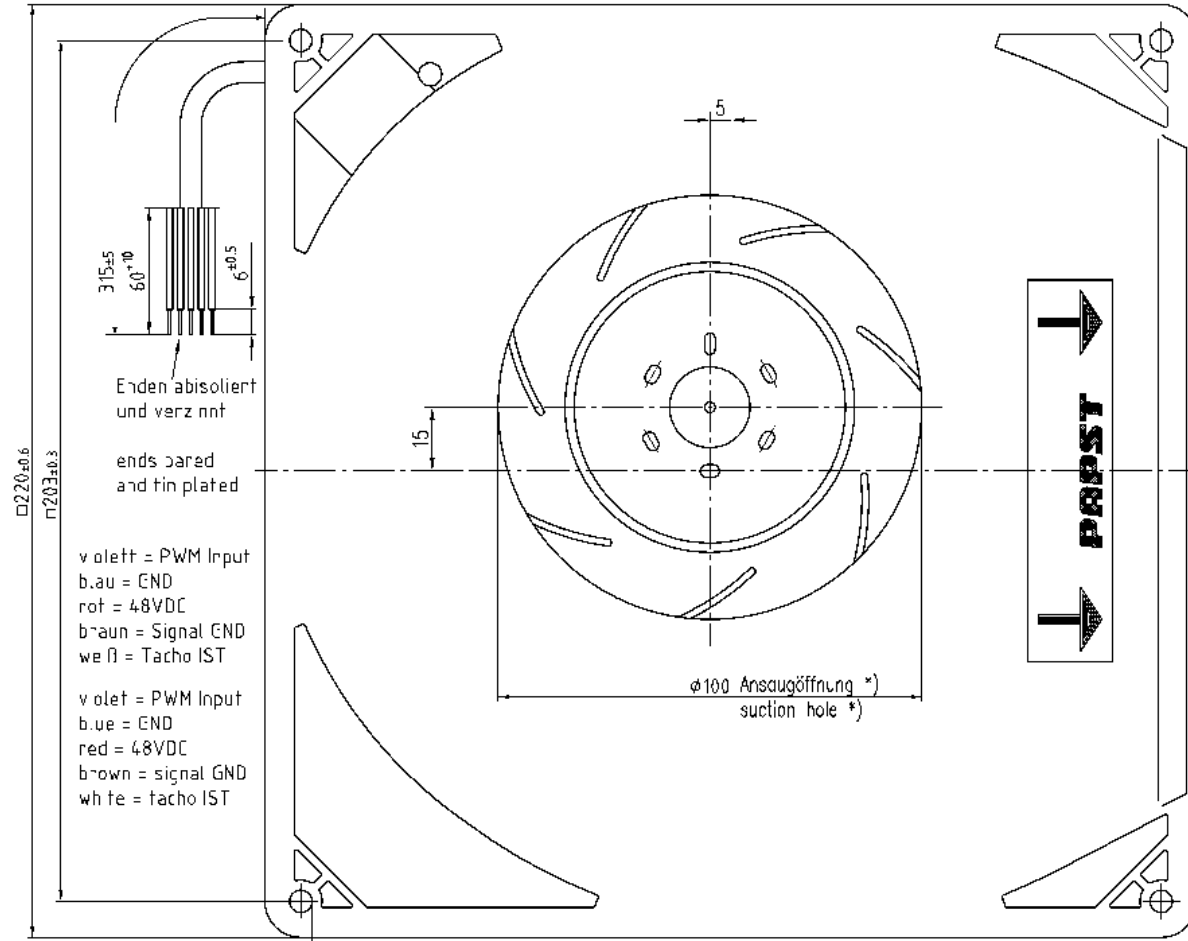
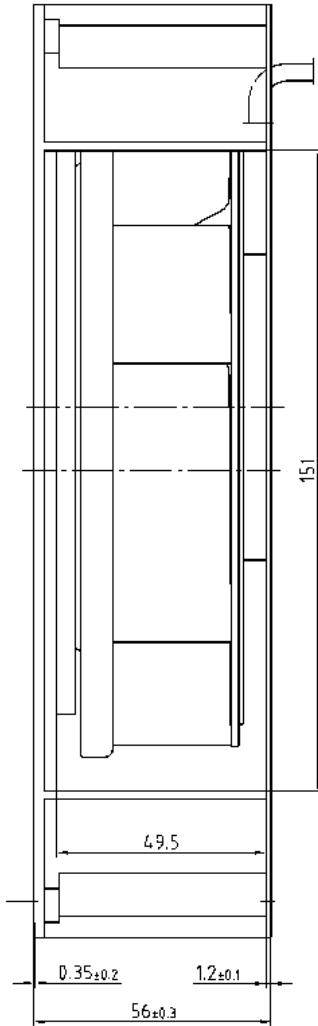
6 Reliability

6.1 General

Life expectancy L10 at TU = 40 °C	55.000 h	
Life expectancy L10 IPC at TU = 40 °C	92.500 h	

All rights reserved. No part of this document may be reproduced, stored in a retrieval system, or transmitted in any form or by any means, electronic, mechanical, photocopying, recording, or by any information storage and retrieval system, without the prior written permission of Papst GmbH.

Schweißmark nach DIN EN ISO 4545 beachten!
 Refer to part on drawing 3.1.13.1111

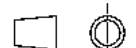


3.15 ± 0.5
 6.0 ± 0.10
 6 ± 0.5
 Erden abisoliert und verzinkt
 ends bare and tin plated

v.lett = PWM Input
 b.au = END
 rot = 48VDC
 braun = Signal END
 weiß = Tacho IST

 v.let = PWM Input
 b.ue = END
 red = 48VDC
 brown = signal GND
 white = tacho IST

Axialspiel: mit Feder spielfrei verspannt.
 without axial clearance by a pre-loaded spring
 *) Öffnung f. Montagewand ≥ 115
 *) Opening for mounting plate ≥ 115

Tolerierung/Tolerances: DIN 7167											
Allgemeintoleranz/General tolerances: DIN ISO 2768-mK-E											
<table border="1"> <tr> <th>Del. Code</th> <th>Name/Name</th> </tr> <tr> <td> </td> <td> </td> </tr> <tr> <th>File/Date</th> <th>Rev./Change-It.</th> </tr> <tr> <td> </td> <td> </td> </tr> </table>		Del. Code	Name/Name			File/Date	Rev./Change-It.				Äquivalenz/Title radial - blow fan
Del. Code	Name/Name										
File/Date	Rev./Change-It.										
Zeichnung/Drawn: ebmpapst		Zchg. Nr./Drawn No.:	Blatt/Sheet: 3. von 7/3 of 7								
Geprüft/checked by:		ebn-papst St. Georgen GmbH & Co. KG	A3								