

ebm-papst St. Georgen GmbH & Co. KG

Hermann-Papst-Str. 1

D-78112 St. Georgen

Phone +49 (0) 7724 81-0

Fax +49 (0) 7724 81-1309

sales@fansco.com

www.fansco.com

Nominal data

Type	RG 140 -22714N/2 TDPU	
Nominal voltage range	VDC	20,4 .. 27,6
Speed (rpm)	min ⁻¹	2500
Power consumption	W	9.3
Max. ambient temperature	°C	70
Air flow	m ³ /h	118
Sound power level	B	6.0

ml = Max. load · me = Max. efficiency · fa = Free air · cs = Customer specification · ce = Customer equipment
Subject to change

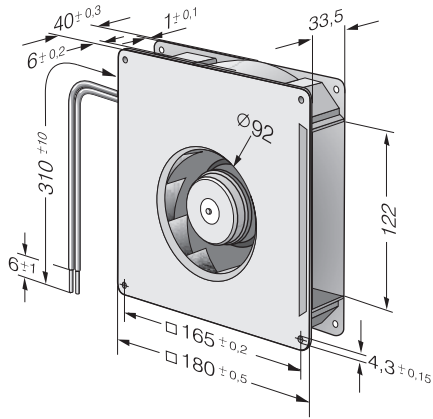


Technical description

Weight	0.75 kg
Dimensions	180 x 180 x 40 mm
Airflow direction	Exhaust over struts
Degree of protection	IP54
Service life L10 at 40 °C	62500 h
Service life L10 at maximum temperature	32500 h
Cable	With leads AWG 22, TR 64



Product drawing



Curves

