

RG 125-19/18 NH

DC centrifugal compact fan

single-intake



ebm-papst St. Georgen GmbH & Co. KG

Hermann-Papst-Str. 1
D-78112 St. Georgen
Phone +49 (0) 7724 81-0
Fax +49 (0) 7724 81-1309
sales@fansco.com
www.fansco.com

Nominal data

Type	RG 125-19/18 NH	
Nominal voltage	VDC	48
Nominal voltage range	VDC	36 .. 56
Speed (rpm)	min ⁻¹	4000
Power consumption	W	19
Min. ambient temperature	°C	-20
Max. ambient temperature	°C	70
Air flow	m ³ /h	137
Sound power level	B	7

ml = Max. load · me = Max. efficiency · fa = Free air · cs = Customer specification · ce = Customer equipment
Subject to change

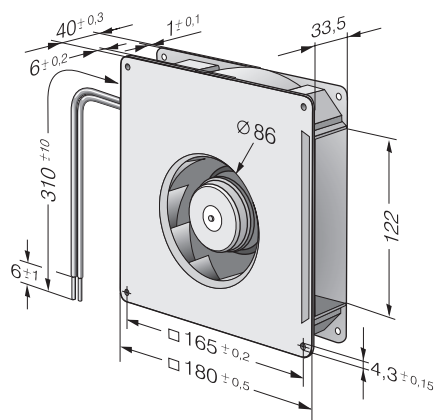


Technical description

General description	Backward-curved impeller
Weight	0.730 kg
Dimensions	180 x 180 x 40 mm
Impeller material	Glass-fiber reinforced plastic
Housing material	Scroll housing made of glass-fiber reinforced plastic, housing base made of sheet steel.
Airflow direction	Axial intake, radial discharge from outlet.
Storage	Ball bearing
Service life L10 at 40 °C	55000 h
Service life L10 at maximum temperature	27500 h
Cable	Flat plug 6.3 x 0.8 mm for protective earth
Motor protection	Protection against reverse polarity and blocked rotor.



Product drawing



Curves: Air performance

