

RG 125-19/18 N

# DC centrifugal compact fan

single-intake



## ebm-papst St. Georgen GmbH & Co. KG

Hermann-Papst-Str. 1  
D-78112 St. Georgen  
Phone +49 (0) 7724 81-0  
Fax +49 (0) 7724 81-1309  
sales@fansco.com  
www.fansco.com

### Nominal data

Type	RG 125-19/18 N	
Nominal voltage	VDC	48
Nominal voltage range	VDC	36 .. 56
Speed (rpm)	min <sup>-1</sup>	2550
Power consumption	W	4.8
Min. ambient temperature	°C	-30
Max. ambient temperature	°C	75
Air flow	m <sup>3</sup> /h	87.5
Sound power level	B	5.8

ml = Max. load · me = Max. efficiency · fa = Free air · cs = Customer specification · ce = Customer equipment  
Subject to change

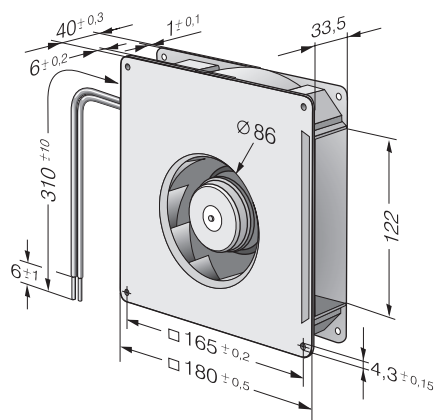


## Technical description

<b>General description</b>	Backward-curved impeller
<b>Weight</b>	0.730 kg
<b>Dimensions</b>	180 x 180 x 40 mm
<b>Impeller material</b>	Glass-fiber reinforced plastic
<b>Housing material</b>	Scroll housing made of glass-fiber reinforced plastic, housing base made of sheet steel.
<b>Airflow direction</b>	Axial intake, radial discharge from outlet.
<b>Storage</b>	Ball bearing
<b>Service life L10 at 40 °C</b>	62500 h
<b>Service life L10 at maximum temperature</b>	27500 h
<b>Cable</b>	Flat plug 6.3 x 0.8 mm for protective earth
<b>Motor protection</b>	Protection against reverse polarity and blocked rotor.
<b>Locked-rotor protection</b>	Locked-rotor and overload protection
<b>Approval</b>	VDE, CSA, UL, CE
<b>Option</b>	Speed signal



Product drawing



## Curves: Air performance

