

RG 125-19/12 NM

DC centrifugal compact fan

single-intake



ebm-papst St. Georgen GmbH & Co. KG

Hermann-Papst-Str. 1

D-78112 St. Georgen

Phone +49 (0) 7724 81-0

Fax +49 (0) 7724 81-1309

sales@fansco.com

www.fansco.com

Nominal data

| Type | RG 125-19/12 NM | |
|--------------------------|-------------------|---------|
| Nominal voltage | VDC | 12 |
| Nominal voltage range | VDC | 7 .. 15 |
| Speed (rpm) | min ⁻¹ | 1750 |
| Power consumption | W | 2.0 |
| Min. ambient temperature | °C | -30 |
| Max. ambient temperature | °C | 75 |
| Air flow | m ³ /h | 60 |
| Sound power level | B | 4.8 |

ml = Max. load · me = Max. efficiency · fa = Free air · cs = Customer specification · ce = Customer equipment
Subject to change

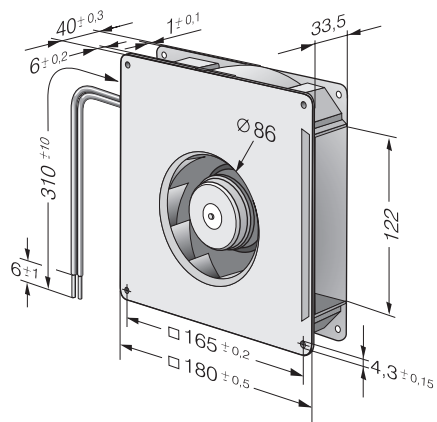


Technical description

| | |
|--|--|
| General description | Backward-curved impeller |
| Weight | 0.730 kg |
| Dimensions | 180 x 180 x 40 mm |
| Impeller material | Glass-fiber reinforced plastic. |
| Housing material | Scroll housing made of glass-fiber reinforced plastic, housing base made of sheet steel. |
| Airflow direction | Axial intake, radial discharge from outlet. |
| Storage | Ball bearing |
| Service life L10 at 40 °C | 70000 h |
| Service life L10 at maximum temperature | 30000 h |
| Cable | With leads AWG 22, TR 64 |
| Motor protection | Protection against reverse polarity and blocked rotor. |
| Locked-rotor protection | Locked-rotor and overload protection |
| Approval | VDE, CSA, UL, CE |



Product drawing



Curves: Air performance

