

**ebm-papst St. Georgen GmbH & Co. KG**

Hermann-Papst-Str. 1

D-78112 St. Georgen

Phone +49 (0) 7724 81-0

Fax +49 (0) 7724 81-1309

sales@fansco.com

www.fansco.com

Nominal data

Type	RET 97-25/14/2TDP	
Nominal voltage	VDC	24
Nominal voltage range	VDC	16 .. 32
Speed (rpm)	min ⁻¹	6000
Power consumption	W	77
Min. ambient temperature	°C	-20
Max. ambient temperature	°C	60
Air flow	m ³ /h	220
Sound power level	B	8.1

ml = Max. load · me = Max. efficiency · fa = Free air · cs = Customer specification · ce = Customer equipment
Subject to change

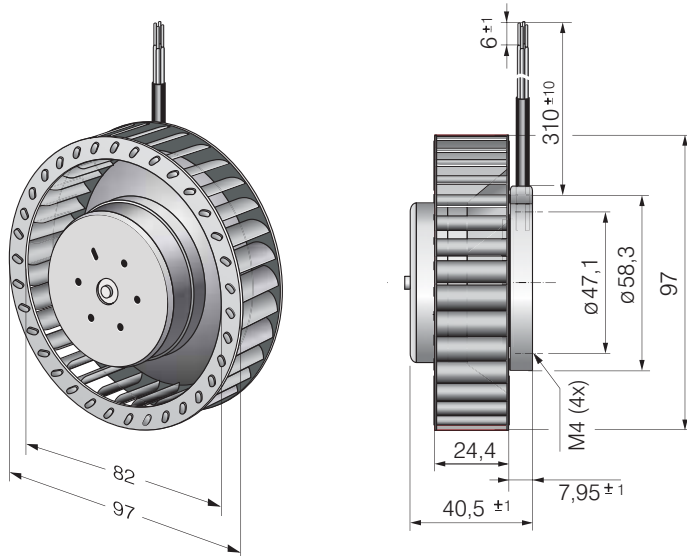


Technical description

General description	3-phase fan drive with very smooth operation and high efficiency Forward-curved impeller Fan requires a scroll housing
Weight	0.43 kg
Dimensions	Ø 97 x 41 mm
Impeller material	Sheet steel, galvanized
Airflow direction	Axial: intake radial: discharge
Direction of rotation	Clockwise, viewed toward rotor
Storage	Ball bearing
Service life L10 at 40 °C	80000 h
Service life L10 at maximum temperature	50000 h
Cable	With leads AWG 18, 20 or AWG 22, TR 64. Speed signal and control input AWG 22



Product drawing



Curves

