

Product Data Sheet RER190-39/14/2TDLOU

**ebmpapst**

The engineer's choice



## RER190-39/14/2TDLOU

## INDEX

<b>1</b>	<b>General</b> .....	<b>3</b>
<b>2</b>	<b>Mechanics</b> .....	<b>3</b>
2.1	General.....	3
2.2	Connections.....	3
<b>3</b>	<b>Operating Data</b> .....	<b>4</b>
3.1	Electrical Interface - Input.....	4
3.2	Electrical Operating Data .....	6
3.3	Electrical Interface - Output.....	7
3.4	Electrical Features .....	7
3.5	Aerodynamics.....	9
3.6	Sound Data.....	11
<b>4</b>	<b>Environment</b> .....	<b>11</b>
4.1	General.....	11
4.2	Climatic Requirements .....	11
<b>5</b>	<b>Safety</b> .....	<b>13</b>
5.1	Electrical Safety .....	13
5.2	Approval Tests.....	13
<b>6</b>	<b>Reliability</b> .....	<b>13</b>
6.1	General.....	13

## 1 General

Fan type	Blower without chassis with intake nozzle	
Rotating direction looking at rotor	Clockwise	
Airflow direction	Air in axially, Air out radially	
Bearing system	Stainless steel bearing	
Mounting position - shaft	Any	

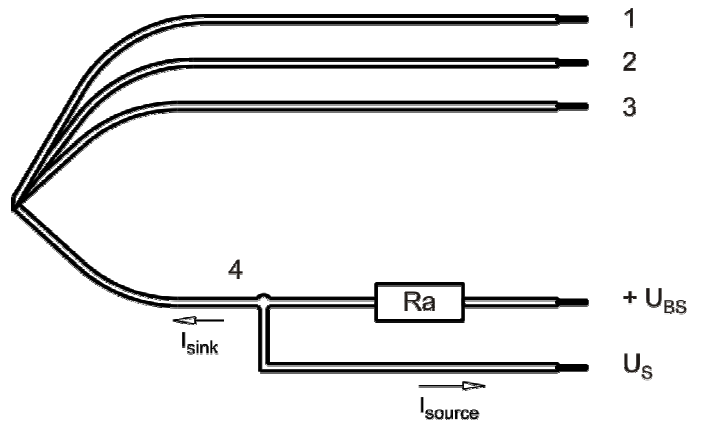
## 2 Mechanics

### 2.1 General

Depth	69 mm	
Diameter	190 mm	
Mass	0,858 kg	
Housing material		
Impeller material	Plastic	

### 2.2 Connections

Electrical connection	Wires	
Lead wire length	L = 425 mm	
Tolerance	+/- 10 mm	
Tube length	S = 115 mm	
Tolerance	+/- 5,0 mm	



Wire	Color	Operation	Wire size	Insulation diameter
1	red	+ UB	AWG 22	1,7 mm
2	blue	- GND	AWG 22	1,7 mm
3	violet	CONTR	AWG 22	1,7 mm
4	white	Tacho	AWG 22	1,7 mm

The auxiliaries shown on the schematic diagram (which are required for the intended use) are not part of our delivery.

### 3 Operating Data

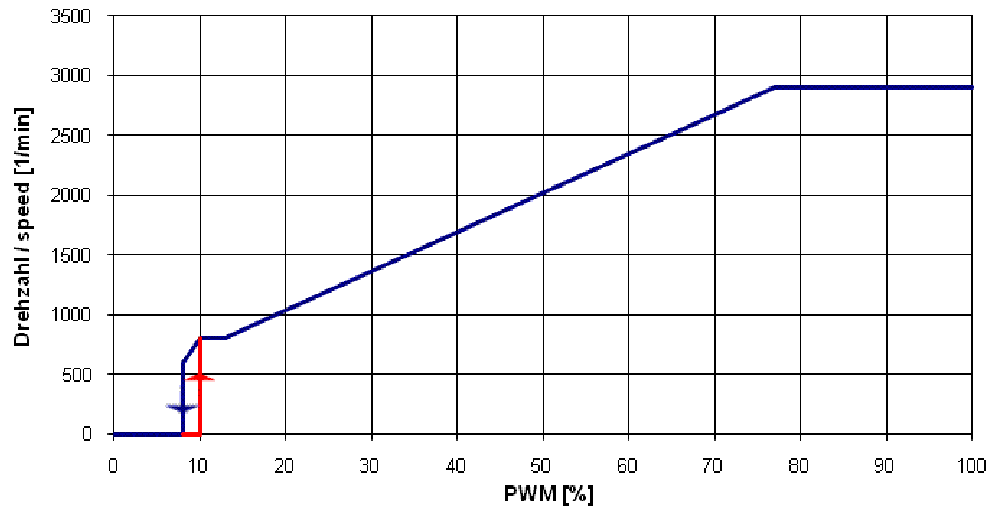
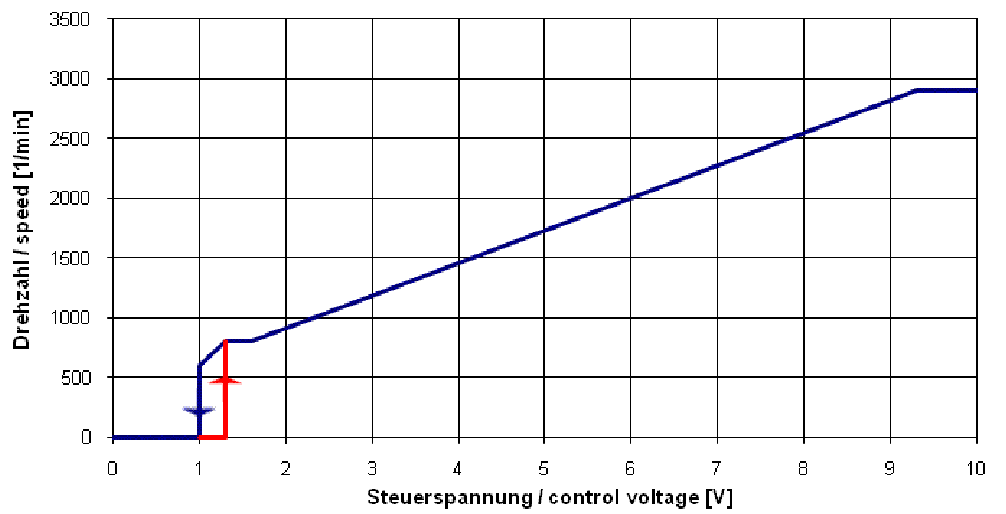
#### 3.1 Electrical Interface - Input

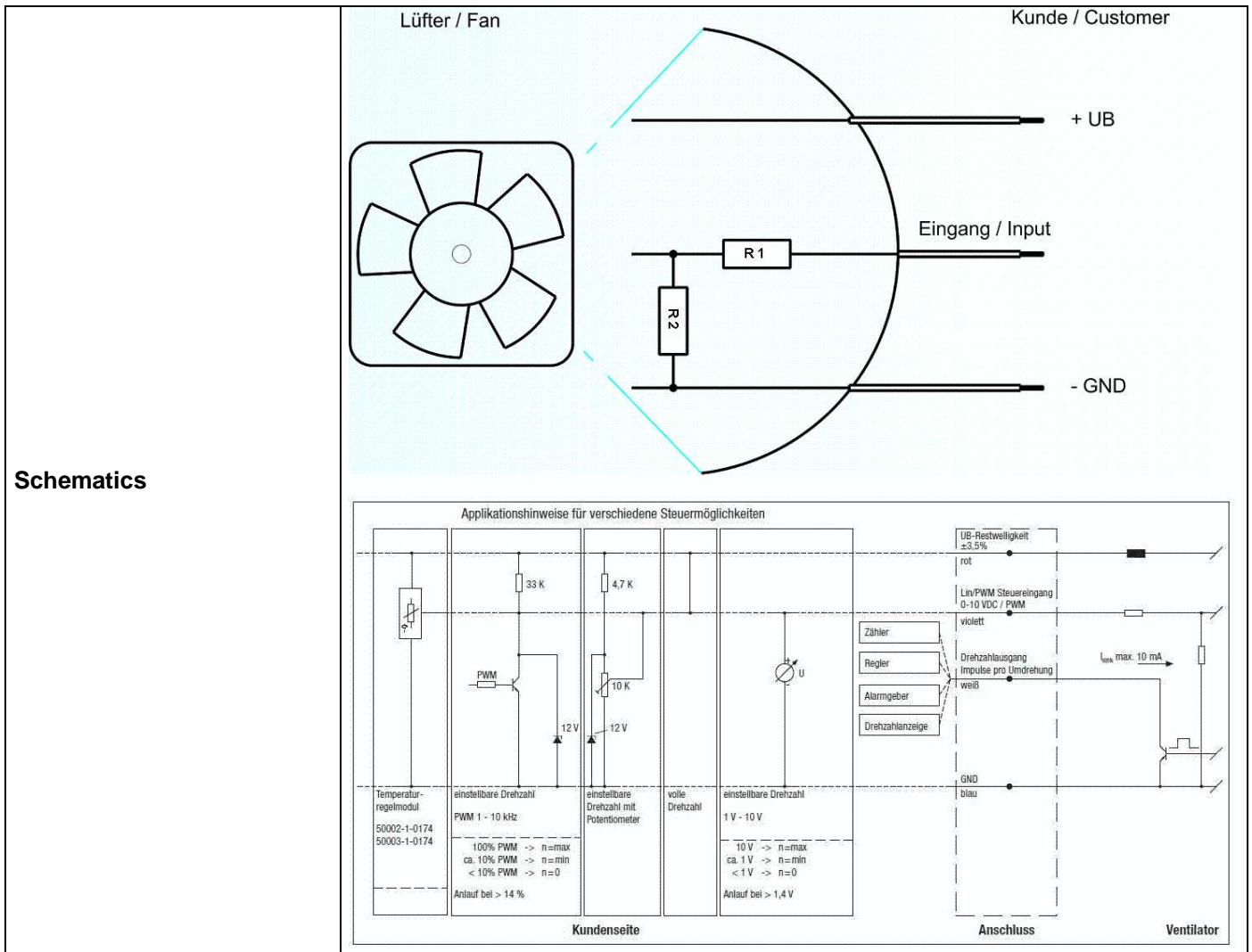
Control input	Analog
---------------	--------

#### Features

PWM - Frequency	1 kHz - 10 kHz typical: 2 kHz
Input voltage range	0 V - 10 V

#### Characteristics





**Input voltage divider:**

R1 = 47 kOhm

R2 = 36 kOhm

For protection: There is parallel to R2 a 5,1 V Z-Diode

**Speed control:**

By pulse-width modulation (PWM) 0 ... 100%  
 with switching transistor in emitter circuit and collector resistance to 12 V  
 Frequency = 2 kHz (1 - 10 kHz)

**Information to the curve PWM:**

- 0% - <10% PWM: 0 1/min
- 10% PWM: 800 1/min (Fan on, comming from 0% PWM)
- 10% - 13% PWM: 800 1/min (corresponding to min. speed)
- 13% - 78% PWM: linear increasing curve
- 78% - 100% PWM: 2.900 1/min (corresponding to max. speed)
- 10% - >8% PWM: linear decreasing curve (comming from 100% PWM)
- 8% PWM: 600 1/min or 0 1/min (Fan off, comming from 100% PWM)

or:

**Speed control:**

By analog voltage 0 - 10 V

Information to the curve analog:

0 V - < 1,3 V:	0 1/min
1,3 V:	800 1/min (Fan on, coming from von 0 V)
1,3 V - 1,6 V:	800 1/min (corresponding to min. speed)
1,6 V - 9,4 V:	linear increasing curve
9,4 V - 10 V:	2.900 1/min (corresponding to max. speed)
1,3 V - > 1,0 V:	linear decreasing curve (coming from 10 V)
1,0 V:	600 1/min or 0 1/min (Fan off, coming from 10 V)

**The fan have no sensor break detection!**

**3.2 Electrical Operating Data**

Measurement conditions: Normal air density = 1,2 kg/m<sup>3</sup>; Temperature 23°C +/- 3°C; Motor axis horizontal; warm-up time before measuring 5 minutes (unless otherwise specified).  
In the intake and outlet area should not be any solid obstruction within 0,5 m.

Measurement setup:	Measured between two steel plates
Steel plate:	195 mm x 195 mm
Intake nozzle:	D: 125,5 mm; R: 10 mm
Distance between bottom and top plate:	80 mm
Overlapping impeller / nozzle:	2 mm

$\Delta p = 0$ : corresp. to free air flow (see chapter aerodynamics)

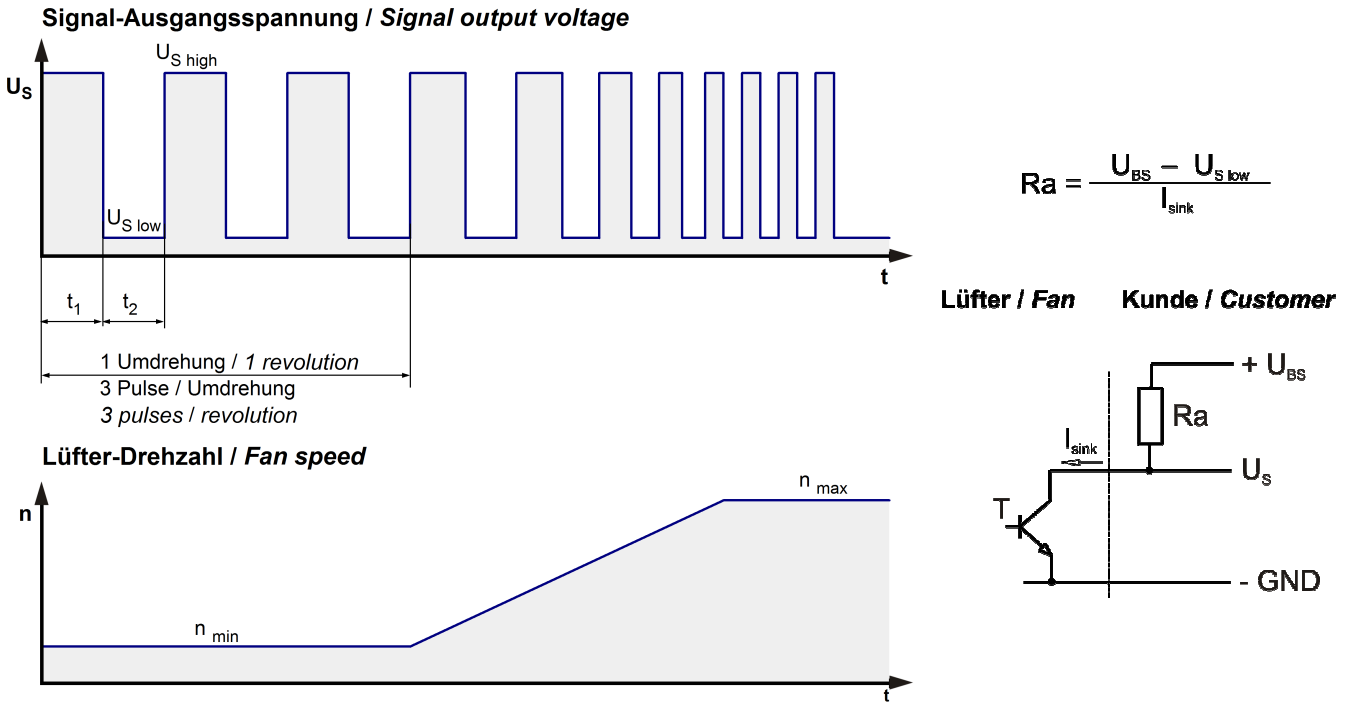
I: corresp. to arithm. mean current value

Name	Condition
U Contr. 0001	U Contr.: 10,0 V

Features	Condition	Symbol	Values		
Voltage range		U	16 V		30,0 V
Nominal voltage		$U_N$		24,0 V	
Power consumption	$\Delta p = 0$	P	31,7 W	57 W	57,9 W
Tolerance	U Contr. 0010		+/- 10,0 %	+/- 10,0 %	+/- 10,0 %
Current consumption	$\Delta p = 0$	I	1.980 mA	2.375 mA	1.930 mA
Tolerance	U Contr.0010		+/- 10,0 %	+/- 10,0 %	+/- 10,0 %
Speed	$\Delta p = 0$	n	2.400 1/min	2.900 1/min	2.900 1/min
Tolerance	U Contr. 0010		+/- 10,0 %	+/- 5,0 %	+/- 5,0 %

### 3.3 Electrical Interface - Output

Tacho type	/2 (open collector)
------------	---------------------



Features	Note	Values
Tacho operating voltage	$U_{BS}$	$\leq 60\text{ V}$
Tacho signal Low	$U_{S\ low}$	$\leq 0,4\text{ V}$
Tacho signal High	$U_{S\ high}$	$\leq 60\text{ V}$
Maximum sink current	$I_{sink}$	$\leq 20\text{ mA}$
External resistor	External resistor Ra from UBS to US required. All voltages measured to GND.	
Tacho frequency	$(3 \times n) / 60$	145 Hz
Tacho isolated from motor	No	
Slew rate		$\Rightarrow 0,5\text{ V/us}$

n = revolutions per minute (1/min)

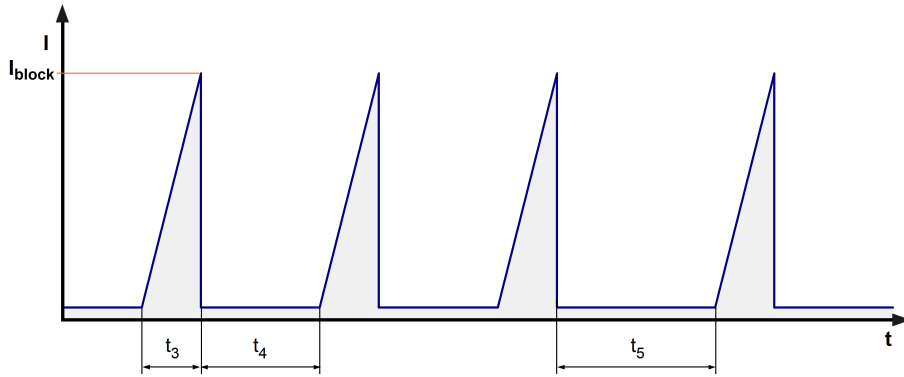
**Please note:**

At zero speed the tacho signal is at a static HIGH. It will be also HIGH when the fan is still spinning, but the speed control signal is set to zero speed already.  
 The tacho signal is only activated after the start-up is completed.

### 3.4 Electrical Features

Electronic function	Speed-Controlled	
Reversed polarity protection	Rectifying diode	
Max. residual current at $U_N$	$I_F \leq 5\text{ mA}$	

Locked rotor protection	Auto restart	
Locked rotor current at $U_N$	$I_{\text{block}}$ approx. 2.500 mA	
Clock signal at locked rotor	$t_3 / t_4$ typical: 9,4 s / 10,0 s	



**Locked rotor signal  $t_5$ :**

**After 4 failed start-ups there is an extended timeout of 40,0s.**



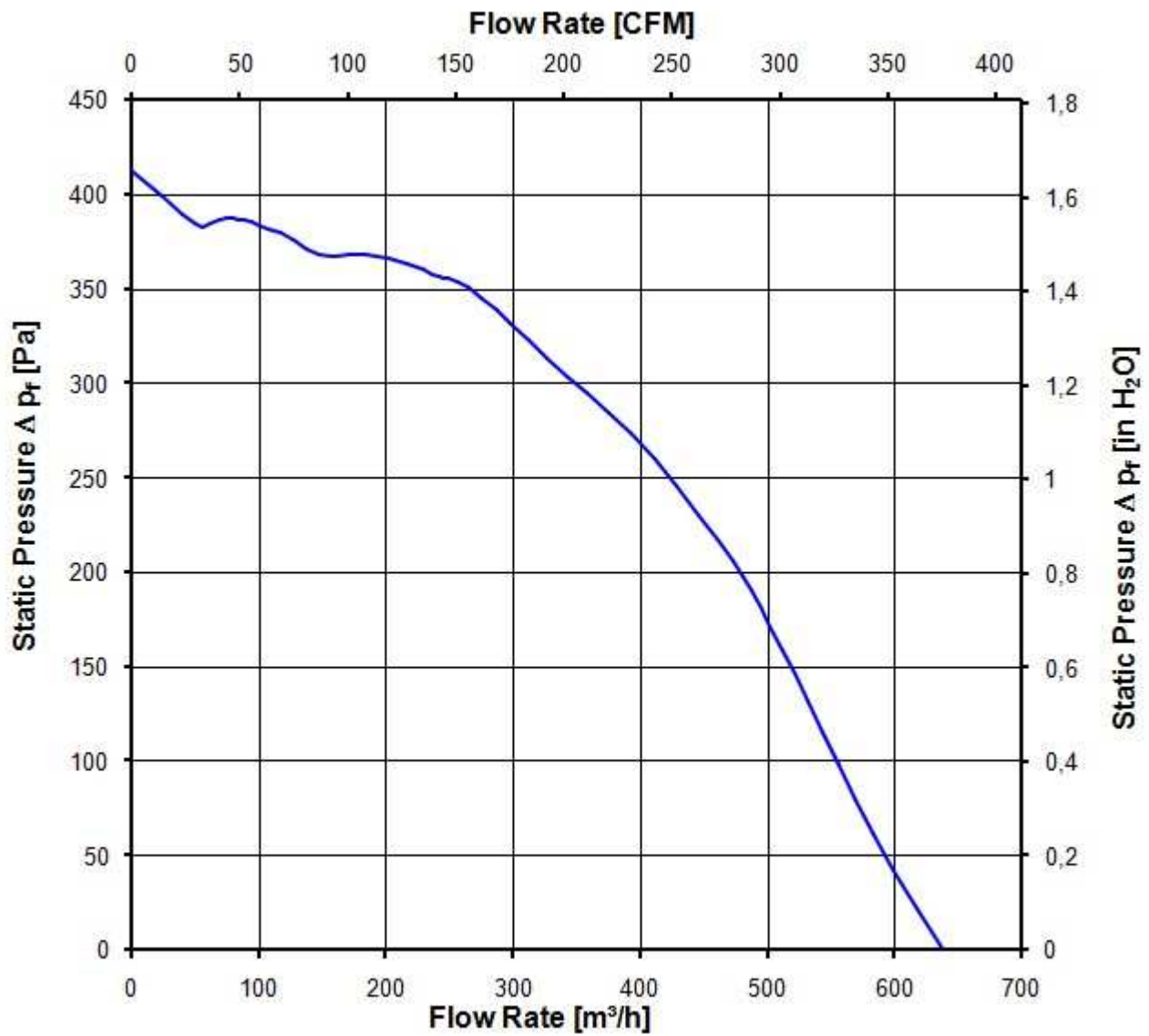
### 3.5 Aerodynamics

Measurement conditions: Measured with a double chamber intake rig acc. to DIN EN ISO 5801.  
 Normal air density = 1,2 kg/m<sup>3</sup>; Temperature 23°C +/- 3°C;  
 In the intake and outlet area should not be any solid obstruction within 0,5 m. Motor shaft horizontal.  
 The information is only valid under the specified test conditions and may be changed by the installation conditions. If there are deviations from the standard test conditions, the characteristic values must be checked under the installed conditions.

Measurement setup:	Measured between two steel plates
Steel plate:	195 mm x 195 mm
Intake nozzle:	D: 125,5 mm; R: 10 mm
Distance between bottom and top plate:	80 mm
Overlapping impeller / nozzle:	2 mm

a.) Operation condition:

2.900 1/min at free air flow	U Contr. 10,0 V		
Max. free-air flow ( $\Delta p = 0 / \dot{V} = \max.$ )		640,0 m <sup>3</sup> /h	
Max. static pressure ( $\Delta p = \max. / \dot{V} = 0$ )		410 Pa	



### 3.6 Sound Data

Measurement conditions: Sound pressure level: 1 meter distance between microphone and the air intake.  
 Sound power level: Acc. to DIN 45635 part 38 (ISO 10302)  
 Measured in a semianchoic chamber with a background noise level of  $L_p(A) < 5 \text{ dB(A)}$   
 For further measurement conditions see chapter aerodynamics.

a.) Operation condition:

2.900 1/min at free air flow	U Contr. 10,0 V		
Optimal operating point	333,0 m <sup>3</sup> /h @ 259 Pa		
Sound power level at the optimal operating point	6,8 bel(A)		
Sound pressure level at free air flow, measured in rubber bands			

## 4 Environment

### 4.1 General

Min. permitted ambient temperature TU min.	-20 °C	
Max. permitted ambient temperature TU max.	60 °C	
Min. permitted storage temperature TL min.	-40 °C	
Max. permitted storage temperature TL max.	80 °C	

### 4.2 Climatic Requirements

IP-protection type (certified)	IP 68 (for fan only, not for connector if applicable) **)	
Humidity requirements	humid temperature, cyclic; according to DIN EN 60068-2-38, 10 cycle and condensation water check; according to DIN EN ISO 6270-2, 14 days	
Salt fog requirements	None	

Permitted application area:

The product is for the use in partial sheltered rooms or open, roofed areas. Direct exposure to water is allowed provided that this does not prevent the normal operation. Saline ambient conditions must be avoided.

Pollution degree 3 (according DIN EN 60664-1)

It occurs conductive pollution or dry non-conductive pollution which becomes conductive due to condensation.

\*\*\*) The specification of the IP protection refers to the conditions mentioned in certification of the fan. The above mentioned short description of the protection scope is not final. For detailed information of the respective protection scope and definitions, see certification as well as DIN EN 60529 (protection by housings) and ISO 20653 (for vehicles) with the letter K.

#### **Short description of the IP-protection type:**

Solid particle Protection: Dust tight.

Protection against deliberate contact: Protected against contact to hazardous parts with a wire.

Protection against water: The fan test according to IP68 (Based on IEC 60529), is conducted in non-operating mode. The fan is tested by a complete immersion in water for a period of 2h at a water-level of 1,2m. Electrical connections are not immersed since they are customer specific.

Please require severity levels and specification parameters from the responsible development departments.

## 5 Safety

### 5.1 Electrical Safety

Dielectric strength DIN EN 60950 (VDE 0805) and DIN EN 60335 (VDE 0700) A.) Type test Measuring conditions: After 48h of storage at 95% R.H. and 25°C. No arcing or breakdown is allowed! All connections together to ground.	500 VAC / 1 Min.	
B.) Routine test Measuring conditions: At indoor climate. No arcing or breakdown is allowed! All connections together to ground.	850 VDC / 1 Sec.	
Isolation resistance Measuring conditions: After 48h of storage at 95% R.H. and 25°C measured with U=500 VDC for 1 min.	RI > 10 MOhm	
Clearance / creepage distance	1,0 mm / 1,2 mm	
Protection class	III	

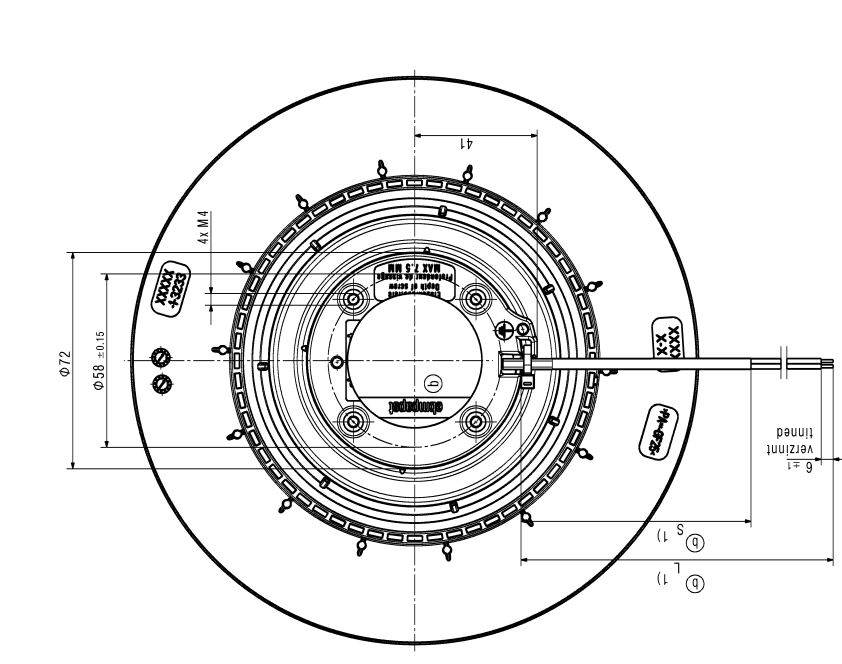
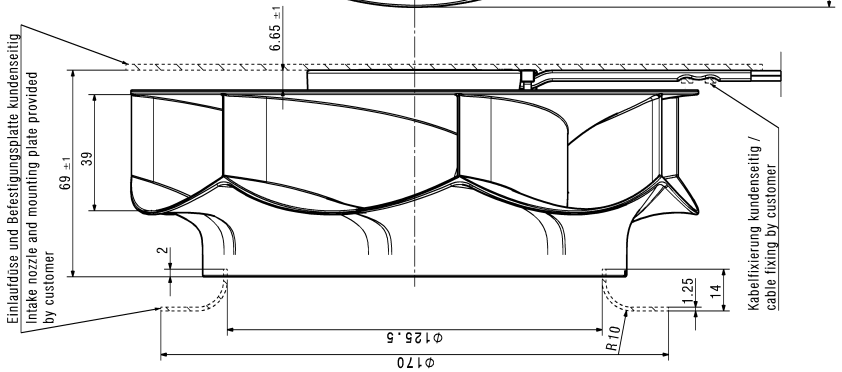
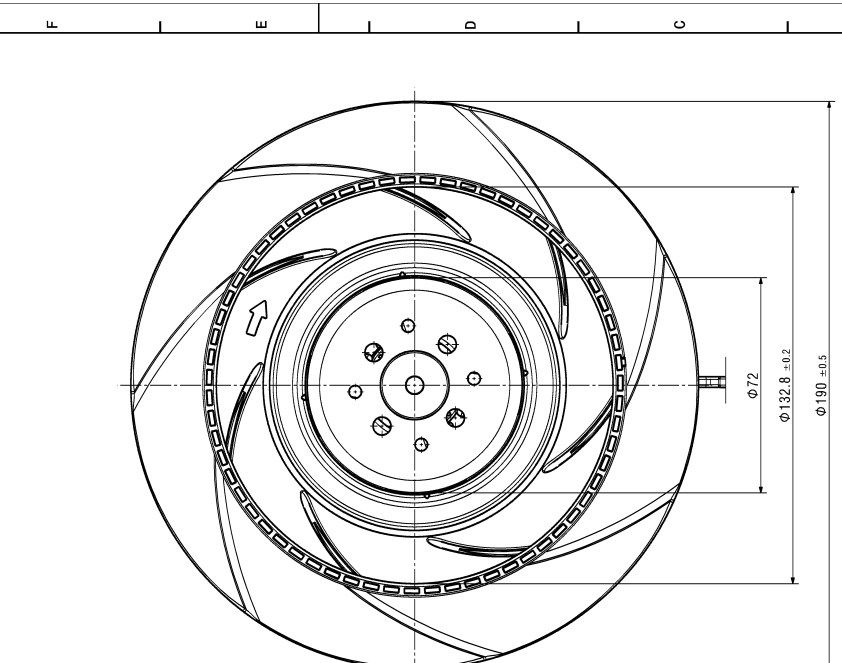
### 5.2 Approval Tests

CE	EC Declaration of Conformity	Yes
EAC	Eurasian Conformity	Yes
UL	Underwriters Laboratories	Yes / UL507, Electric Fans
VDE	Association for Electrical, Electronic and Information Technologies	Yes / Approval acc. to EN 60950 (VDE 0805) - Information technology equipment
CSA	Canadian Standards Association	Yes / C22.2 No. 113 Fans and Ventilators
CCC	China Compulsory Certification	Not applicable

## 6 Reliability

### 6.1 General

Life expectancy L10 at TU = 40 °C	55.000 h	
Life expectancy L10 at TU max.	35.000 h	
Life expectancy L10 acc. to IPC 9591 at TU = 40 °C	92.5 00 h	



1) Axialspiel mit Feder spielfrei verspannt.  
 1) Anzahl und Länge der Litzen und Länge des Schlauchs vom Flanschrand  
 siehe Produktspezifikation.

- Without axial clearance by a pre-loaded spring.  
 1) Number and length of wires and length of tube from flange edge  
 see design specification.

NAME / SOHN / FIRMEN-NAMEN NAME / SOHN / FIRMEN-NAMEN		VERFAHREN / MATERIAL NAME / SOHN / FIRMEN-NAMEN	
TECHNISCHE BEZEICHNUNG TECHNISCHE BEZEICHNUNG		VERFAHREN / MATERIAL NAME / SOHN / FIRMEN-NAMEN	
ZUSÄTZLICHE ANMERKUNGEN ZUSÄTZLICHE ANMERKUNGEN		VERFAHREN / MATERIAL NAME / SOHN / FIRMEN-NAMEN	
TECHNISCHE BEZEICHNUNG TECHNISCHE BEZEICHNUNG		VERFAHREN / MATERIAL NAME / SOHN / FIRMEN-NAMEN	
TECHNISCHE BEZEICHNUNG TECHNISCHE BEZEICHNUNG		VERFAHREN / MATERIAL NAME / SOHN / FIRMEN-NAMEN	
TECHNISCHE BEZEICHNUNG TECHNISCHE BEZEICHNUNG		VERFAHREN / MATERIAL NAME / SOHN / FIRMEN-NAMEN	
TECHNISCHE BEZEICHNUNG TECHNISCHE BEZEICHNUNG		VERFAHREN / MATERIAL NAME / SOHN / FIRMEN-NAMEN	

