

DC centrifugal compact fan

single-intake



ebm-papst St. Georgen GmbH & Co. KG

Hermann-Papst-Str. 1
 D-78112 St. Georgen
 Phone +49 (0) 7724 81-0
 Fax +49 (0) 7724 81-1309
 sales@fansco.com
 www.fansco.com

Nominal data

Type	RER 160-28/18 NTDI	
Nominal voltage	VDC	48
Nominal voltage range	VDC	38 .. 57
Speed (rpm)	min ⁻¹	4200
Power consumption	W	43.0
Min. ambient temperature	°C	-20
Max. ambient temperature	°C	70
Air flow	m ³ /h	354
Sound power level	B	7.4

ml = Max. load · me = Max. efficiency · fa = Free air · cs = Customer specification · ce = Customer equipment
 Subject to change

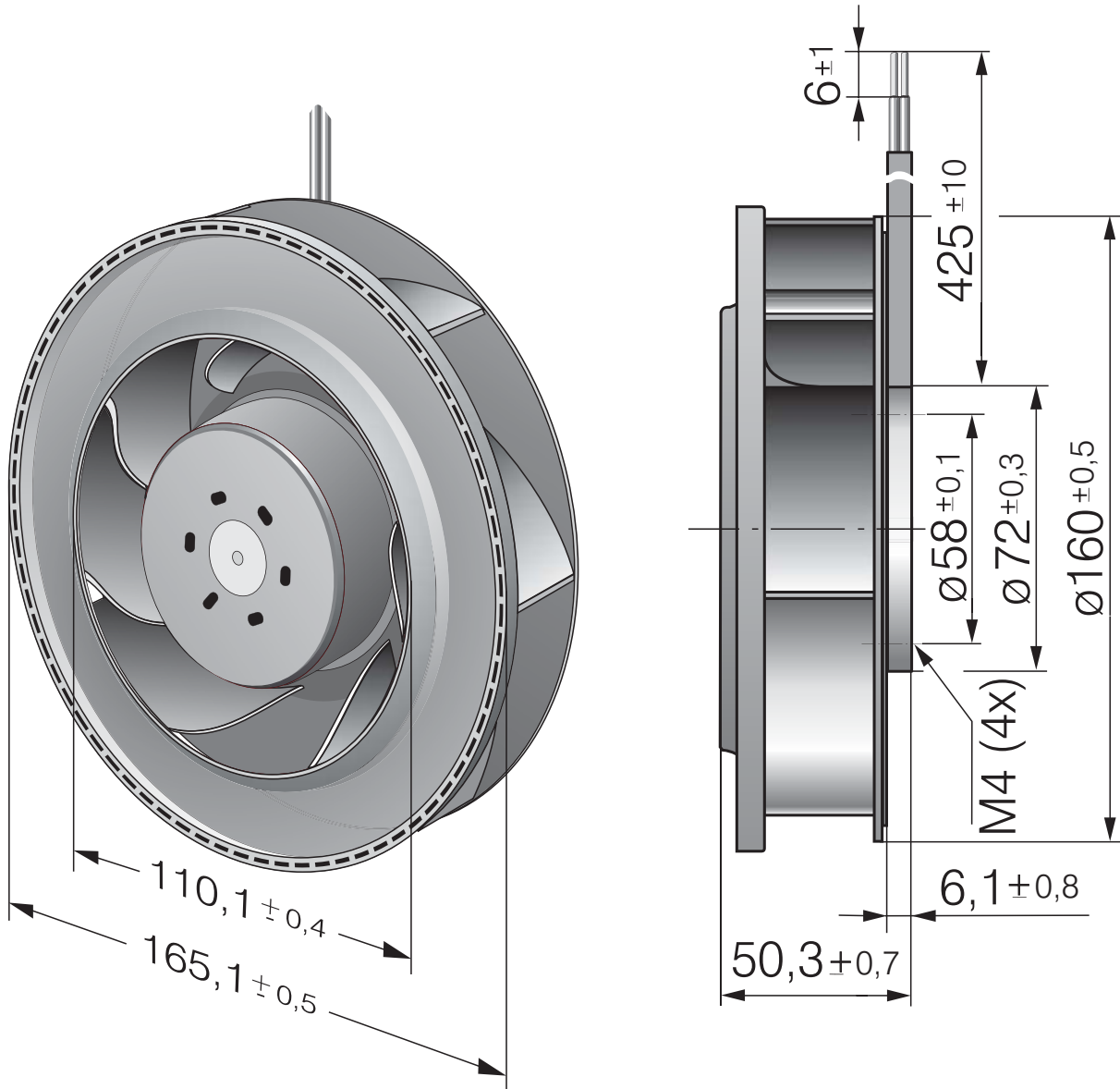


Technical description

General description	3-phase fan drive with very smooth operation and high efficiency Backward-curved impeller
Impeller material	Glass-fiber reinforced plastic
Weight	0.590 kg
Dimensions	Ø 165 x 51 mm
Airflow direction	Axial: intake radial: discharge
Direction of rotation	Clockwise, viewed toward rotor
Storage	Ball bearing
Service life L10 at 40 °C	55000 h
Service life L10 at maximum temperature	27500 h
Cable	With leads AWG 22, TR 64
Approval	VDE, CSA, UL, CE
Option	Special versions available on request. TURBOFAN



Product drawing



Curves

