

RER 160-28/06S

# AC centrifugal compact fan

single-intake



## ebm-papst St. Georgen GmbH & Co. KG

Hermann-Papst-Str. 1  
D-78112 St. Georgen  
Phone +49 (0) 7724 81-0  
Fax +49 (0) 7724 81-1309  
sales@fansco.com  
www.fansco.com

### Nominal data

Type	RER 160-28/06S	
Phase		1~
Nominal voltage	VAC	115
Frequency	Hz	60
Speed (rpm)	min <sup>-1</sup>	3250
Power consumption	W	46.0
Min. ambient temperature	°C	-30
Max. ambient temperature	°C	70
Air flow	m <sup>3</sup> /h	274
Sound power level	B	6.8

ml = Max. load · me = Max. efficiency · fa = Free air · cs = Customer specification · ce = Customer equipment  
Subject to change

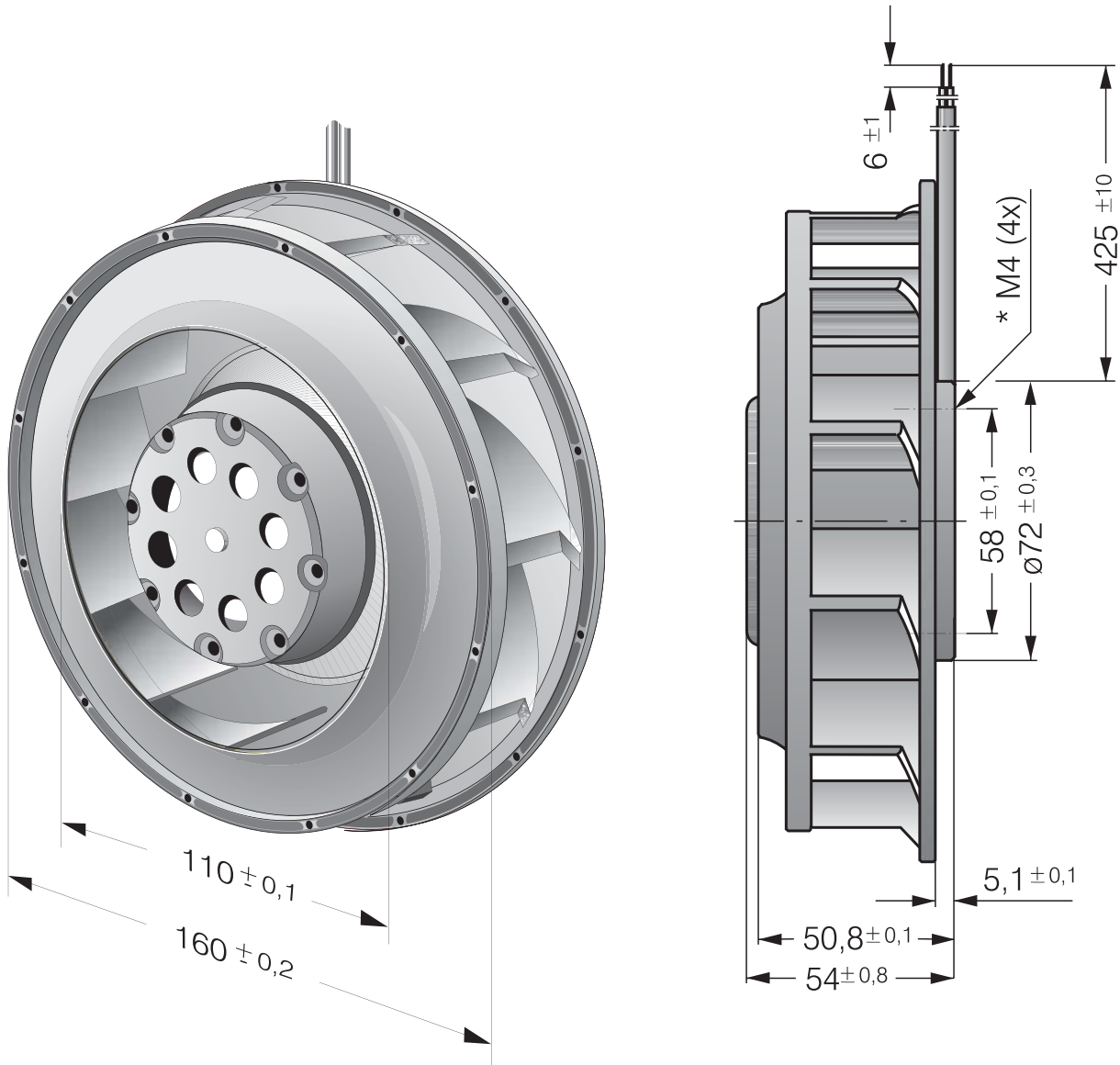


## Technical description

<b>General description</b>	Backward-curved impeller
<b>Impeller material</b>	Glass-fiber reinforced PA plastic, strengthened with sheet steel
<b>Weight</b>	1.000 kg
<b>Dimensions</b>	Ø 176 x 54 mm
<b>Housing material</b>	Glass-fiber reinforced PBT plastic
<b>Airflow direction</b>	Radial
<b>Direction of rotation</b>	Counterclockwise, viewed toward rotor
<b>Storage</b>	Ball bearing
<b>Service life L10 at 40 °C</b>	30000 h
<b>Service life L10 at maximum temperature</b>	15000 h
<b>Cable</b>	2 leads AWG 18
<b>Motor protection</b>	Protected from overload by impedance protection



Product drawing



## Curves

