

**ebm-papst St. Georgen GmbH & Co. KG**

Hermann-Papst-Str. 1

D-78112 St. Georgen

Phone +49 (0) 7724 81-0

Fax +49 (0) 7724 81-1309

sales@fansco.com

www.fansco.com

**Nominal data**

Type	RER 125-19/06	
Phase		1~
Nominal voltage	VAC	115
Frequency	Hz	60
Speed (rpm)	min <sup>-1</sup>	2850
Power consumption	W	18.0
Min. ambient temperature	°C	-30
Max. ambient temperature	°C	70
Air flow	m <sup>3</sup> /h	115
Sound power level	B	6.5

ml = Max. load · me = Max. efficiency · fa = Free air · cs = Customer specification · ce = Customer equipment  
Subject to change

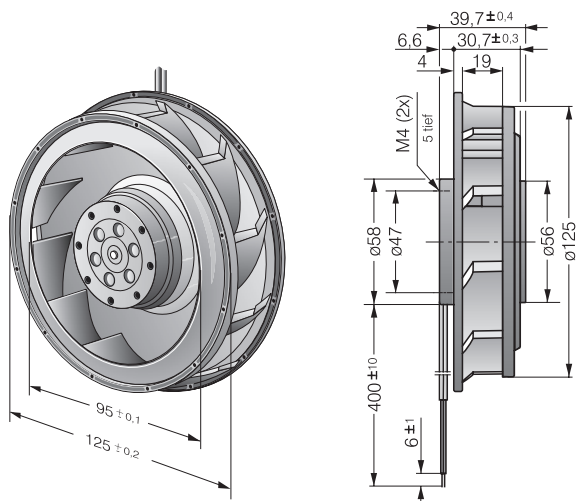


**Technical description**

<b>General description</b>	Backward-curved impeller
<b>Impeller material</b>	Glass-fiber reinforced PA plastic, strengthened with sheet steel
<b>Weight</b>	0.500 kg
<b>Dimensions</b>	Ø 138 x 40 mm
<b>Housing material</b>	Glass-fiber reinforced PBT plastic
<b>Airflow direction</b>	Radial
<b>Direction of rotation</b>	Clockwise, viewed toward rotor
<b>Storage</b>	Ball bearing
<b>Service life L10 at 40 °C</b>	40000 h
<b>Service life L10 at maximum temperature</b>	20000 h
<b>Cable</b>	2 leads AWG 22
<b>Motor protection</b>	Protected from overload by impedance protection
<b>Approval</b>	VDE, CSA, UL, CE



## Product drawing



## Curves

