

Product Data Sheet RER101-36/14N/2HHA-184

ebmpapst

The engineer's choice



RER101-36/14N/2HHA-184

INDEX

1	General	3
2	Mechanics	3
2.1	General.....	3
2.2	Connections.....	3
3	Operating Data	4
3.1	Electrical Interface - Input.....	4
3.2	Electrical Operating Data	4
3.3	Electrical Interface - Output.....	5
3.4	Electrical Features	5
3.5	Aerodynamics.....	7
3.6	Sound Data.....	9
4	Environment	9
4.1	General.....	9
4.2	Climatic Requirements	9
5	Safety	10
5.1	Electrical Safety	10
5.2	Approval Tests.....	10
6	Reliability	10
6.1	General.....	10

1 General

Fan type	Blower without chassis with intake nozzle	
Rotating direction looking at rotor	Clockwise	
Airflow direction	Air in axially, Air out radially	
Bearing system	Ball bearing	
Mounting position - shaft	Any	

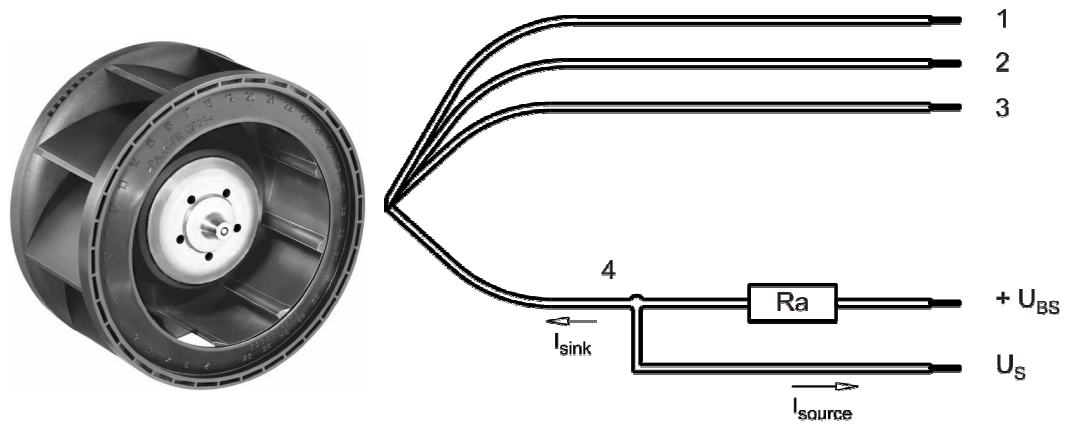
2 Mechanics

2.1 General

Depth	36,0 mm	
Diameter	101,0 mm	
Mass	0,300 kg	
Housing material		
Impeller material	Plastic	

2.2 Connections

Electrical connection	Wires	
Lead wire length	L = 310 mm	
Tolerance	+/- 10,0 mm	



Wire	Color	Operation	Wire size	Insulation diameter
1	red	+ UB	AWG 22	1,70 mm
2	blue	- GND	AWG 22	1,70 mm
3	violet	CONTR	AWG 22	1,70 mm
4	white	Tacho	AWG 22	1,70 mm

The auxiliaries shown on the schematic diagram (which are required for the intended use) are not part of our delivery.

3 Operating Data

3.1 Electrical Interface - Input

Control input	Analog
---------------	--------

Features

<p>Characteristics</p>	<table border="1"> <caption>Graph Data: Drehzahl / speed vs Steuerspannung / control voltage</caption> <thead> <tr> <th>Steuerspannung / control voltage [V]</th> <th>Drehzahl / speed [1/min]</th> </tr> </thead> <tbody> <tr><td>0</td><td>6000</td></tr> <tr><td>1</td><td>5500</td></tr> <tr><td>2</td><td>5000</td></tr> <tr><td>3</td><td>4500</td></tr> <tr><td>4</td><td>4000</td></tr> <tr><td>5</td><td>3500</td></tr> <tr><td>6</td><td>3000</td></tr> <tr><td>7</td><td>2500</td></tr> <tr><td>8</td><td>2000</td></tr> <tr><td>9</td><td>1500</td></tr> <tr><td>10</td><td>1000</td></tr> </tbody> </table>	Steuerspannung / control voltage [V]	Drehzahl / speed [1/min]	0	6000	1	5500	2	5000	3	4500	4	4000	5	3500	6	3000	7	2500	8	2000	9	1500	10	1000
Steuerspannung / control voltage [V]	Drehzahl / speed [1/min]																								
0	6000																								
1	5500																								
2	5000																								
3	4500																								
4	4000																								
5	3500																								
6	3000																								
7	2500																								
8	2000																								
9	1500																								
10	1000																								
<p>Schematics</p>																									

3.2 Electrical Operating Data

3.3 Electrical Interface - Output

Tacho type	/2 (open collector)
------------	---------------------

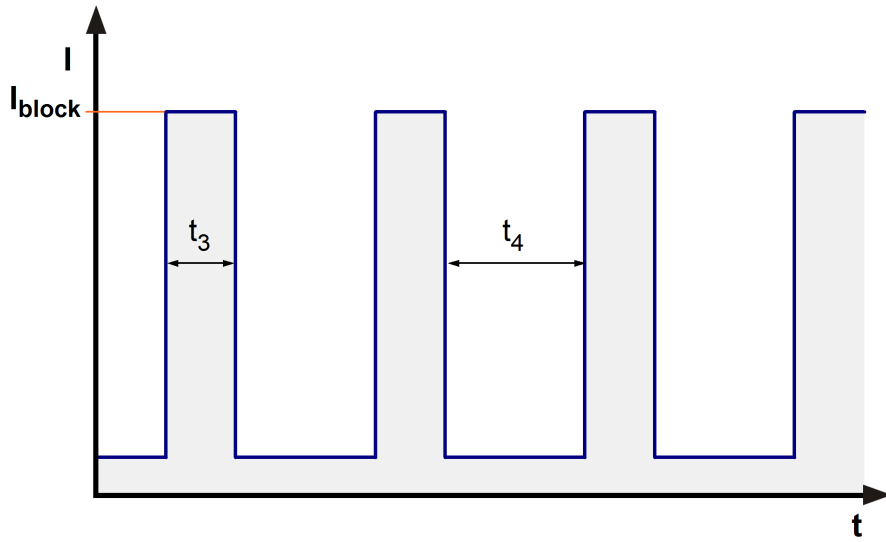


Features	Note	Values
Tacho operating voltage	U_{BS}	Min.: 4,0 V Max.: 30,0 V
Tacho signal Low	$U_{S\ low}$	$I_{sink} : 2\ mA$ $\leq 0,3\ V$
Tacho signal High	$U_{S\ high}$	$I_{source} : 1\ mA$ 30,0 V
Maximum sink current	I_{sink}	$\leq 10\ mA$
External resistor	External resistor R_a from U_{BS} to U_S required. All voltages measured to GND.	
Tacho frequency	$(2 \times n) / 60$	
Tacho isolated from motor	No	
Slew rate		$\Rightarrow 0,5\ V/\mu s$

n = revolutions per minute (1/min)

3.4 Electrical Features

Electronic function	Speed-Controlled	
Reversed polarity protection	Rectifying diode	
Max. residual current at U_N	$I_F \leq 100\ \mu A$	
Locked rotor protection	Auto restart	
Locked rotor current at U_N	I_{block} approx. 3.000 mA	
Clock signal at locked rotor	t_3 / t_4 typical: 1,0 s / 20,0 s	



3.5 Aerodynamics

Measurement conditions:

Measured with a double chamber intake rig acc. to DIN EN ISO 5801.

Normal air density = 1,2 kg/m³; Temperature 23°C +/- 3°C;

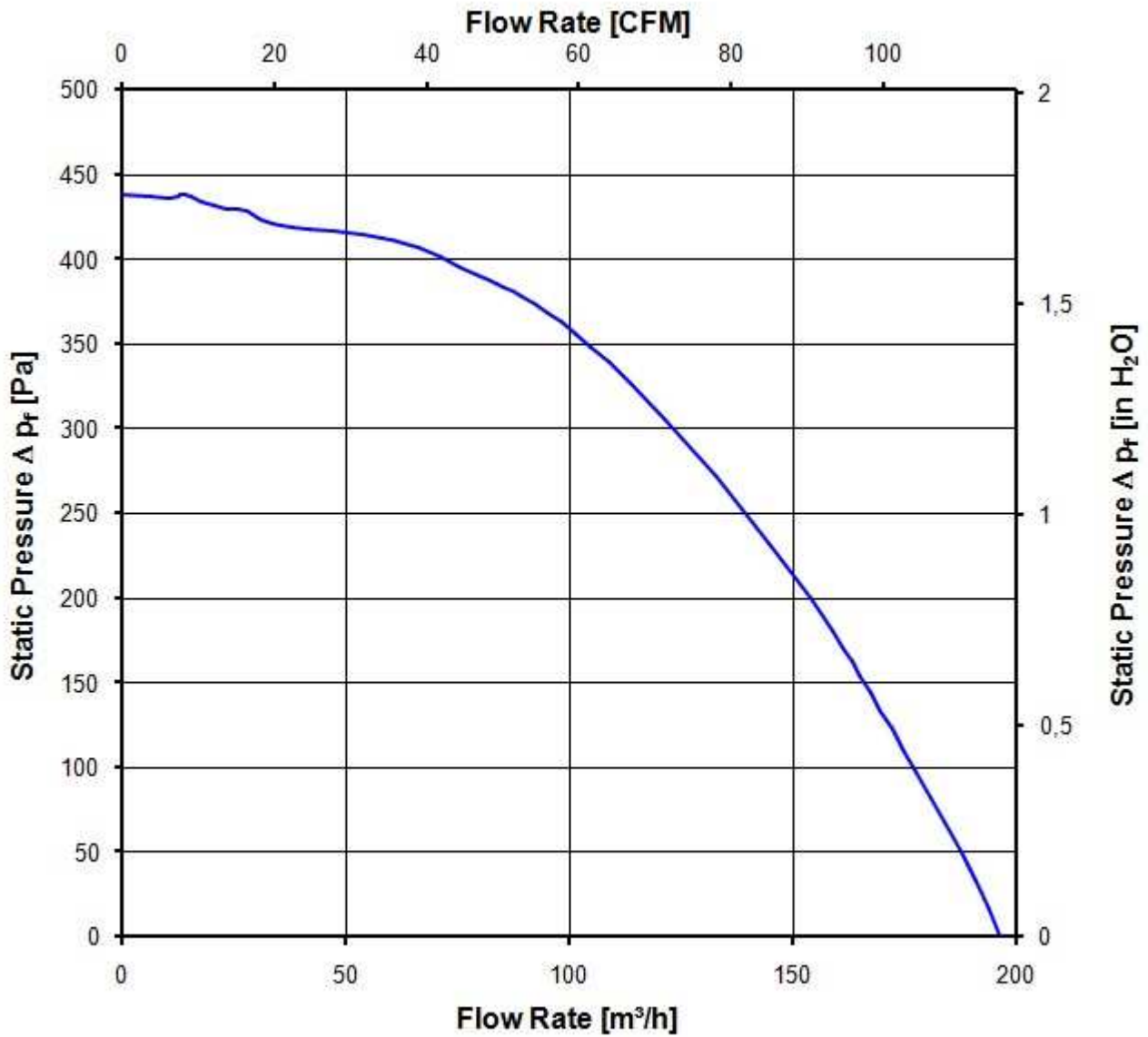
In the intake and outlet area should not be any solid obstruction within 0,5 m. Motor shaft horizontal.

The information is only valid under the specified test conditions and may be changed by the installation conditions. If there are deviations from the standard test conditions, the characteristic values must be checked under the installed conditions.

Measurement setup:	Measured between two steel plates
Steel plate:	148 mm x 148 mm
Intake nozzle:	D: 66 mm; R: 7 mm
Distance between bottom and top plate:	
Overlapping impeller / nozzle:	1 mm

a.) Operation condition:

at free air flow	
Max. free-air flow ($\Delta p = 0 / \dot{V} = \max.$)	192,0 m ³ /h
Max. static pressure ($\Delta p = \max. / \dot{V} = 0$)	440 Pa
at free air flow	
at free air flow	



3.6 Sound Data

Measurement conditions: Sound pressure level: 1 meter distance between microphone and the air intake.
 Sound power level: Acc. to DIN 45635 part 38 (ISO 10302)
 Measured in a semianchoic chamber with a background noise level of $L_p(A) < 5 \text{ dB(A)}$
 For further measurement conditions see chapter aerodynamics.

a.) Operation condition:

at free air flow		
Optimal operating point	40,0 m3/h @ 374 Pa	
Sound power level at the optimal operating point	7,5 bel(A)	
Sound pressure level at free air flow, measured in rubber bands		
at free air flow		
at free air flow		

4 Environment

4.1 General

Min. permitted ambient temperature TU min.	-20 °C	
Max. permitted ambient temperature TU max.	70 °C	
Min. permitted storage temperature TL min.	-40 °C	
Max. permitted storage temperature TL max.	80 °C	

4.2 Climatic Requirements

Humidity requirements	humid heat, constant; according to DIN EN 60068-2-78, 14 days	
Water exposure	None	
Dust requirements	None	
Salt fog requirements	None	

Permitted application area:

The product is intended for use in sheltered rooms with controlled temperature and controlled humidity. Directly exposure to water must be avoided.

Pollution degree 1 (according DIN EN 60664-1)

There is either no pollution or it occurs only dry, non-conductive pollution. The pollution has no negative impact.

Please require severity levels and specification parameters from the responsible development departments.

5 Safety

5.1 Electrical Safety

Dielectric strength DIN EN 60950 (VDE 0805) and DIN EN 60335 (VDE 0700) A.) Type test Measuring conditions: After 48h of storage at 95% R.H. and 25°C. No arcing or breakdown is allowed! All connections together to ground.	500 VAC / 1 Min.	
B.) Routine test Measuring conditions: At indoor climate. No arcing or breakdown is allowed! All connections together to ground.	850 VDC / 1 Sec.	
Isolation resistance Measuring conditions: After 48h of storage at 95% R.H. and 25°C measured with U=500 VDC for 1 min.	RI > 10 MOhm	
Clearance / creepage distance	1,0 mm / 1,2 mm	
Protection class	III	

5.2 Approval Tests

CE	EC Declaration of Conformity	Yes
EAC	Eurasian Conformity	Yes
UL	Underwriters Laboratories	Yes / UL507, Electric Fans
VDE	Association for Electrical, Electronic and Information Technologies	No
CSA	Canadian Standards Association	Yes / CSA audited by UL according to C22.2 No. 113 Fans and Ventilators
CCC	China Compulsory Certification	Not applicable

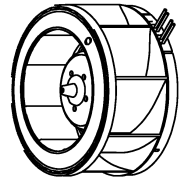
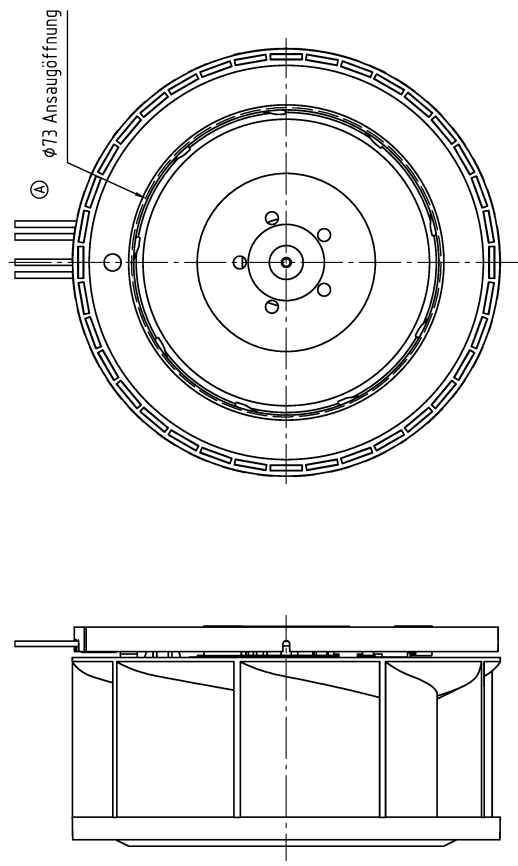
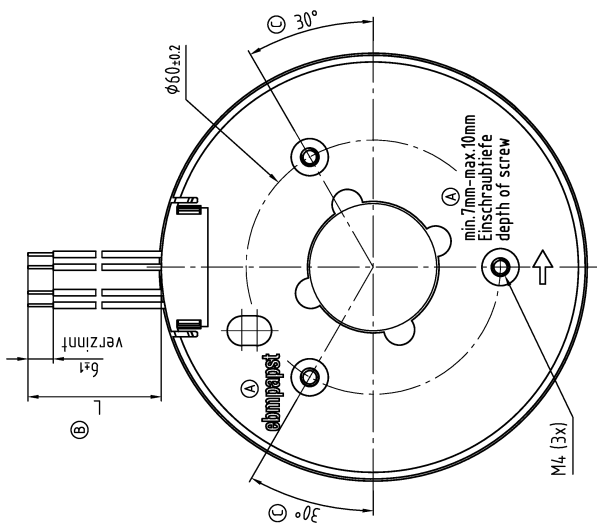
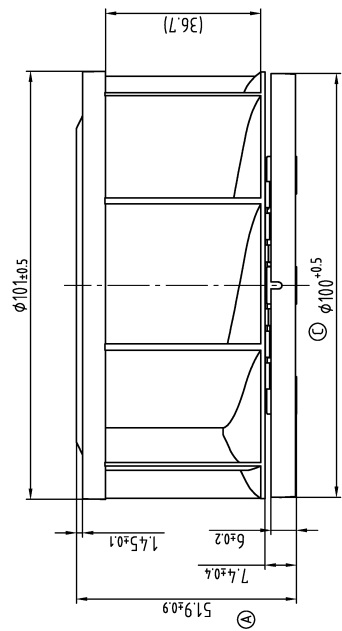
6 Reliability

6.1 General

Life expectancy L10 at TU = 40 °C	60.000 h	
Life expectancy L10 at TU max.	30.000 h	
Life expectancy L10 acc. to IPC 9591 at TU = 40 °C	102.500 h	

Kopie von diesem Dokument, und gibt sie an andere und die Verwendung des Inhalts hierin, ist ohne schriftliche Genehmigung der ebm-papst St. Georgen GmbH & Co. KG ist ausdrücklich untersagt. Alle Rechte vorbehalten. In the event of the grant of a patent or the registration of a utility model or design, the ebm-papst St. Georgen GmbH & Co. KG is not liable for the payment of damages. All rights are reserved.

Ⓑ Länge L und Anzahl der Litzen siehe Spezifikation



SW-Stand/Date	Best.-Nr./Change-No.	Artik.-Nr./System-Nr.	ebmpapst	Werkstoff/Material	Volumen/Volume (mm ³):
		DAW/Date	ebmpapst		Gewicht/Mass (g):
		Bezieh./	ebmpapst	Artikel/Title	
		Erzeug./	ebmpapst		
		Prüf./	ebmpapst		
		Referenz/	ebmpapst		
Tolerierung/Tolerances:		Zug-/Nr./Drawing-No.:			
Allgemeintoleranz/gen. tolerances:		ebm-papst St. Georgen GmbH & Co. KG			
		Diameter/Type of Element		Leiter/Node	Formel/Size
		Toldname/Label/Part			Material/Size