

R4D310-AS18-01

# AC centrifugal fan

backward curved, single inlet



**ebm-papst Mulfingen GmbH & Co. KG**

Bachmühle 2

D-74673 Mulfingen

Phone +49 7938 81-0

Fax +49 7938 81-110

sales@fansco.com

www.fansco.com

## Nominal data

Type	R4D310-AS18-01				
Motor	M4D068-EC				
Phase		3~	3~	3~	3~
Nominal voltage	VAC	230	230	400	400
Connection		D	D	Y	Y
Frequency	Hz	50	60	50	60
Type of data definition		rfa	rfa	rfa	rfa
Valid for approval / standard		CE	CE	CE	CE
Speed	min <sup>-1</sup>	1400	1600	1400	1600
Power input	W	110	150	110	150
Current draw	A	0.55	0.52	0.32	0.3
Min. back pressure	Pa	0	0	0	0
Max. ambient temperature	°C	65	55	65	55

ml = max. load · me = max. efficiency · rfa = running at free air · cs = customer specs · cu = customer unit  
Subject to alterations

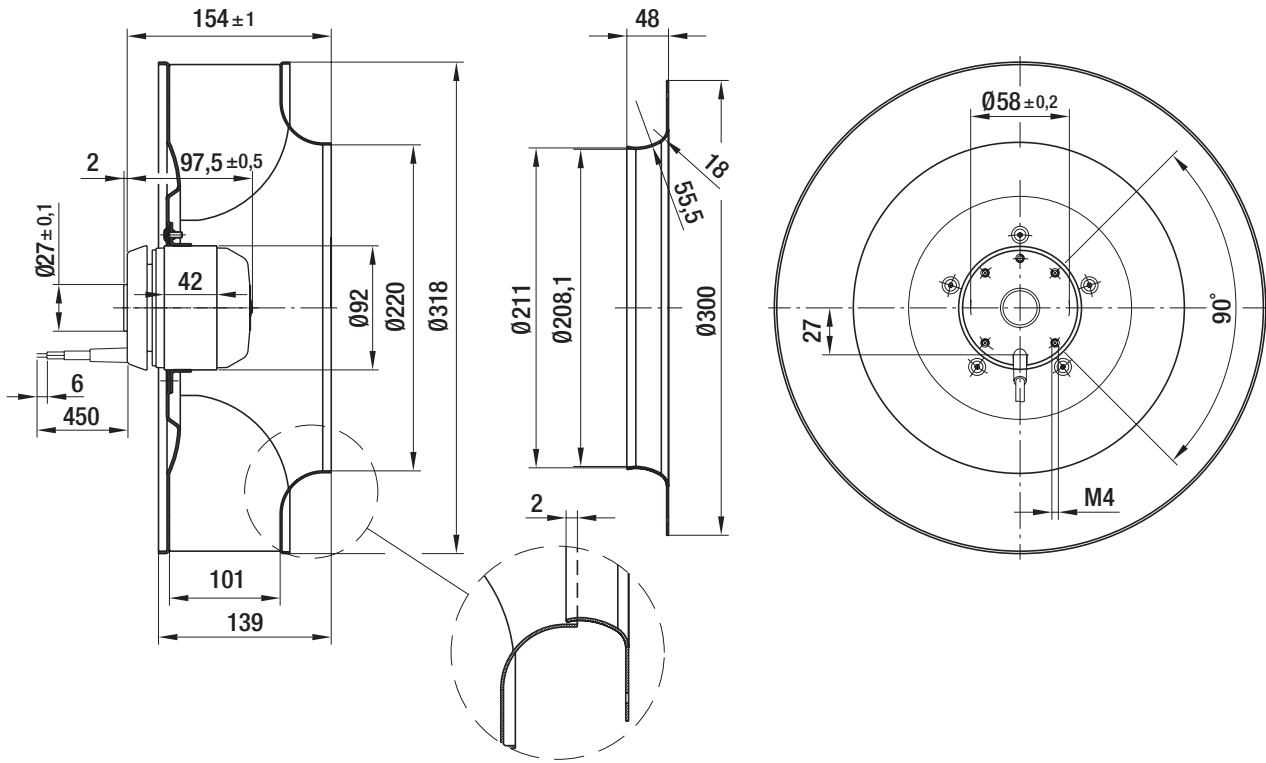
## Technical features

<b>Leakage current</b>	< 0.75 mA
<b>General description</b>	3D impeller
<b>Size</b>	310 mm
<b>Operation mode</b>	Continuous operation (S1)
<b>Direction of rotation</b>	Clockwise, seen on rotor
<b>Humidity class</b>	F1-2
<b>Insulation class</b>	"B"
<b>Cable exit</b>	Axial
<b>Motor bearing</b>	Ball bearing
<b>Mass</b>	3.4 kg
<b>Material of electronics housing</b>	Rotor: Coated in black
<b>Material of impeller</b>	Aluminum sheet, laser-welded
<b>Motor protection</b>	Thermal overload protector (TOP) brought out
<b>Product conforming to standard</b>	CE
<b>Number of blades</b>	6
<b>Type of protection</b>	IP 44
<b>Protection class</b>	I
<b>Approval</b>	CCC

# AC centrifugal fan

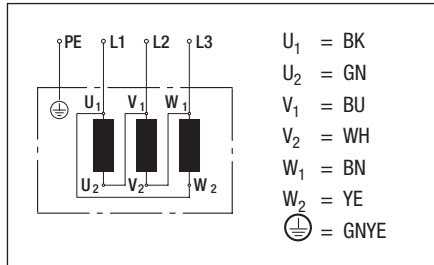
backward curved, single inlet

## Product drawing

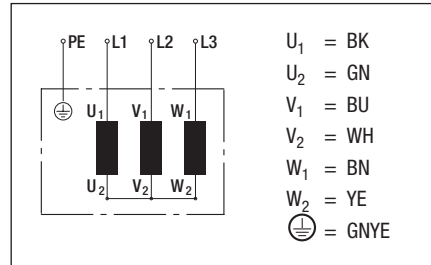


## Connection screen

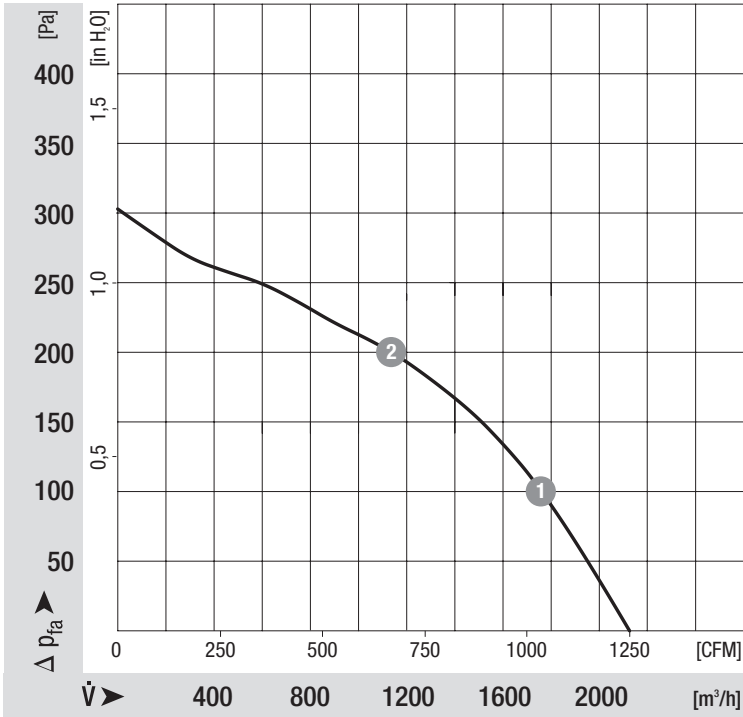
Delta (3~ 230 VAC)



Star (3~ 400 VAC)



## Charts: Air flow 50 Hz



## Measured values

	n	P <sub>e</sub>	I
	min <sup>-1</sup>	W	A
1	1360	136	0.40
2	1350	141	0.41

## Charts: Air flow 60 Hz

