

R3G225-AH71-01

EC centrifugal fan

backward curved, single inlet



ebm-papst Mulfingen GmbH & Co. KG

Bachmühle 2

D-74673 Mulfingen

Phone +49 7938 81-0

Fax +49 7938 81-110

sales@fansco.com

www.fansco.com

Nominal data

Type	R3G225-AH71-01	
Motor	M3G074-CF	
Phase		1~
Nominal voltage	VAC	115
Frequency	Hz	50/60
Type of data definition		ml
Speed	min ⁻¹	2800
Power input	W	160
Current draw	A	2.0
Min. ambient temperature	°C	-25
Max. ambient temperature	°C	60

ml = max. load · me = max. efficiency · rfa = running at free air · cs = customer specs · cu = customer unit
Subject to alterations

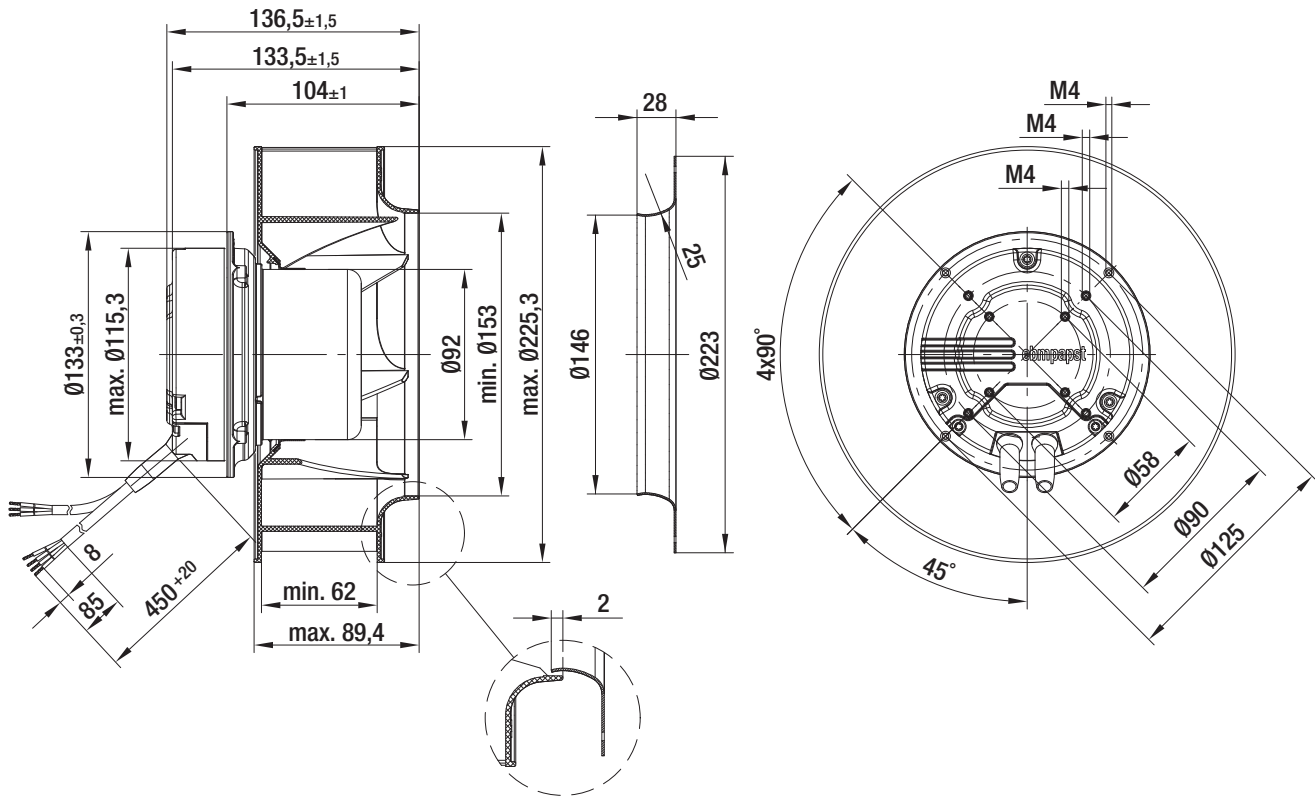
Technical features

Leakage current	<= 3.5 mA
General description	Integrated electronics
Size	225 mm
Operation mode	Continuous operation (S1)
Direction of rotation	Clockwise, seen on rotor
Mounting position	Shaft horizontal or rotor on top; rotor on bottom on request
Humidity class	F3-1
Insulation class	"B"
Cable exit	Variable
Motor bearing	Ball bearing
Mass	2.3 kg
Material of electronics housing	Rotor: Galvanized
Material of impeller	PA plastic 6.6, fiberglass-reinforced
Motor protection	Thermal overload protector (TOP) wired internally
Number of blades	7
Type of protection	IP 44
Protection class	I
Technical features	PFC (passive), control input 0-10 VDC / PWM, output 10 VDC max. 1.1 mA, tach output, over-temperature protected electronics / motor
Approval	CSA C22.2 Nr.77; UL 2111

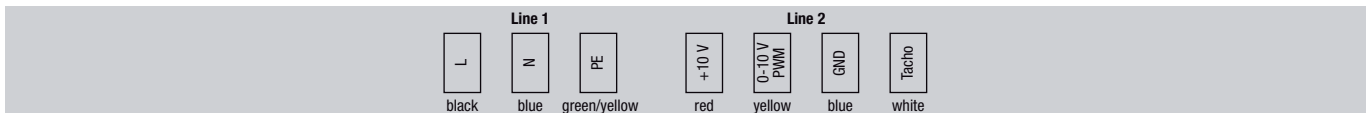
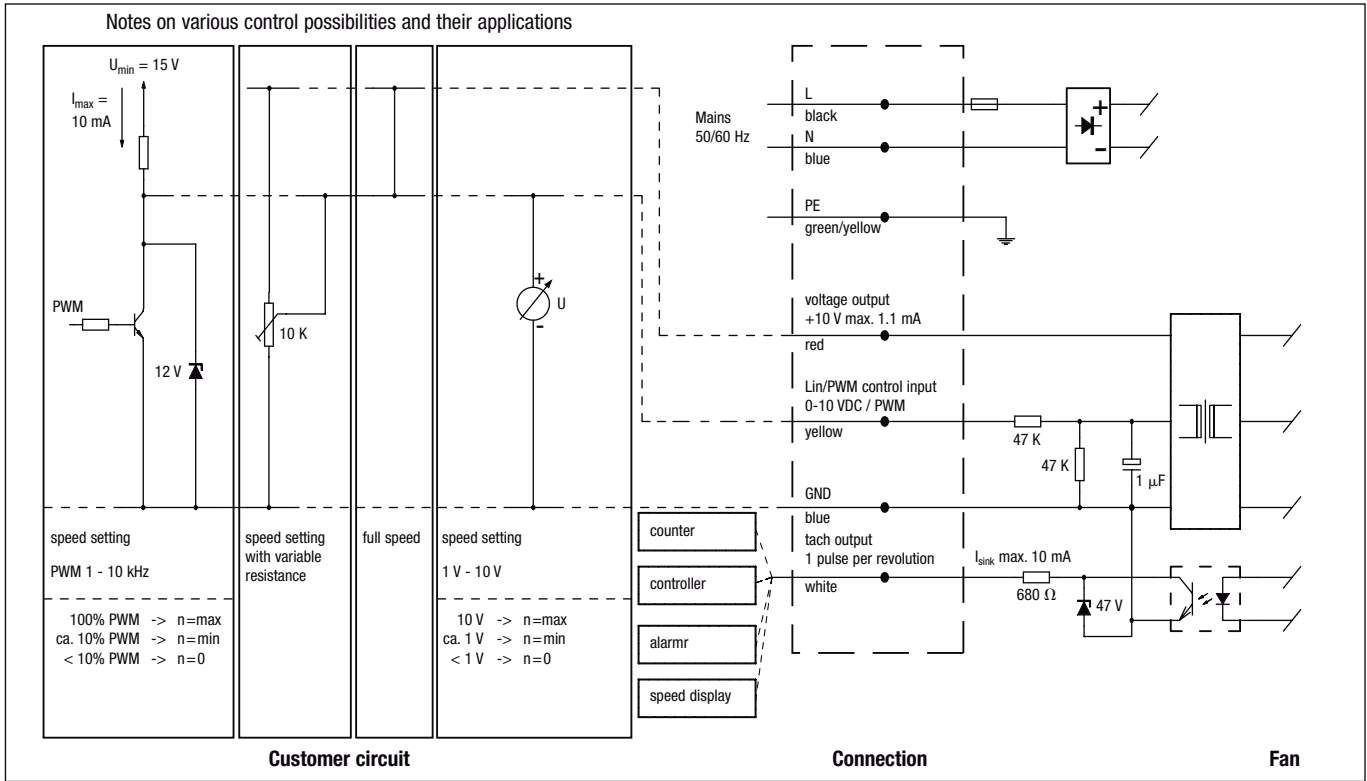
EC centrifugal fan

backward curved, single inlet

Product drawing



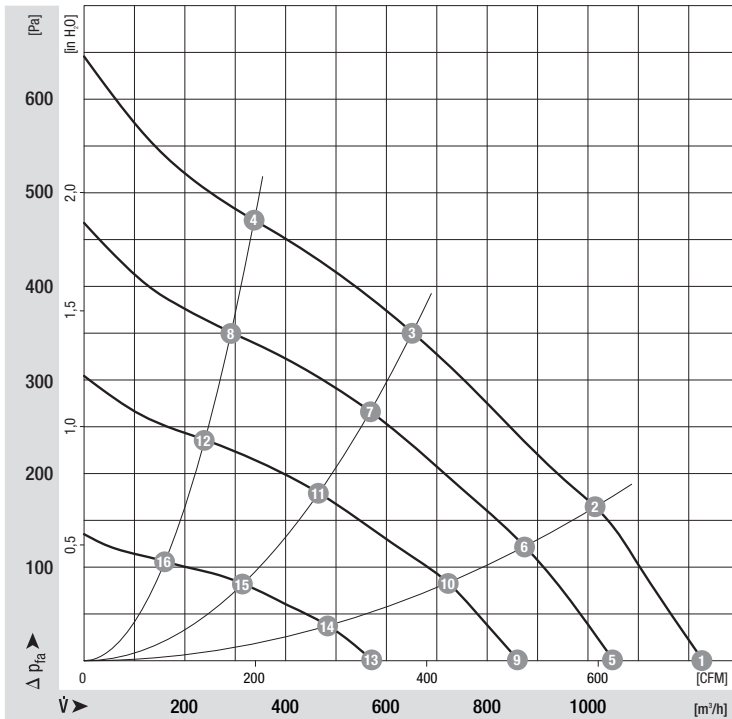
Connection screen



Line	Signal	Colour	Assignment / function
1	L	black	Mains 50/60 Hz, phase
	N	blue	Mains 50/60 Hz, neutral
	PE	green/yellow	Protective earth

Line	Signal	Colour	Assignment / function
2	+10 V	red	Voltage output +10 V max. 1.1 mA
	0-10 V / PWM	yellow	Control input
	GND	blue	GND
	Tacho	white	Tach output: pulses per revolution

Charts: Air flow



Measured values

	n	P_e	l
	min ⁻¹	W	A
1	2850	131	1.70
2	2800	149	1.90
3	2760	155	2.00
4	2845	136	1.70
5	2460	84	1.10
6	2420	95	1.30
7	2410	102	1.30
8	2460	91	1.20
9	2020	51	0.70
10	1990	58	0.80
11	1980	60	0.80
12	2010	52	0.70
13	1350	20	0.30
14	1340	21	0.30
15	1340	23	0.40
16	1350	21	0.30