

R3G133-AE17-02

EC centrifugal fan

backward curved, single inlet



ebm-papst Mulfingen GmbH & Co. KG

Bachmühle 2

D-74673 Mulfingen

Phone +49 7938 81-0

Fax +49 7938 81-110

sales@fansco.com

www.fansco.com

Nominal data

Type	R3G133-AE17-02	
Motor	M3G055-BD	
Phase		1~
Nominal voltage	VAC	115
Frequency	Hz	50/60
Type of data definition		rfa
Speed	min ⁻¹	4350
Power input	W	37
Current draw	A	0.55
Max. ambient temperature	°C	-

ml = max. load · me = max. efficiency · rfa = running at free air · cs = customer specs · cu = customer unit
Subject to alterations

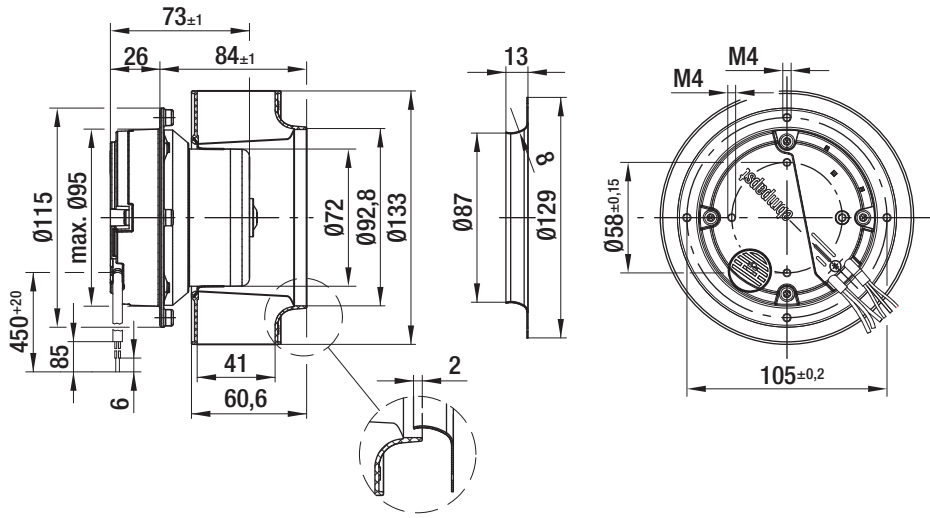
Technical features

Leakage current	<= 3.5 mA
General description	Integrated electronics
Size	133 mm
Operation mode	Continuous operation (S1)
Direction of rotation	Clockwise, seen on rotor
Mounting position	Any
Humidity class	F3-1
Insulation class	"B"
Cable exit	Variable
Motor bearing	Ball bearing
Mass	1.0 kg
Material of electronics housing	Rotor: Galvanized
Material of impeller	PA plastic 6.6, fiberglass-reinforced
Motor protection	Thermal overload protector (TOP) wired internally
Number of blades	7
Type of protection	IP 44
Protection class	I
Technical features	Control input 0-10 VDC / PWM, output 10 VDC max. 1.1 mA, tach output, locked rotor protection
Approval	GOST; UL 2111

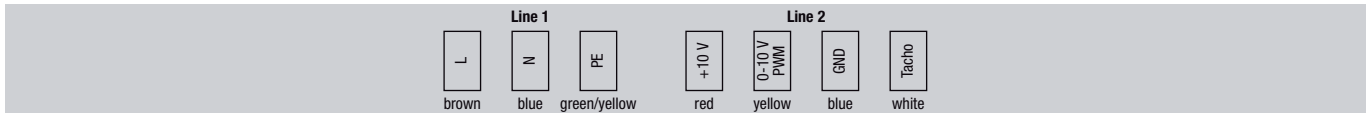
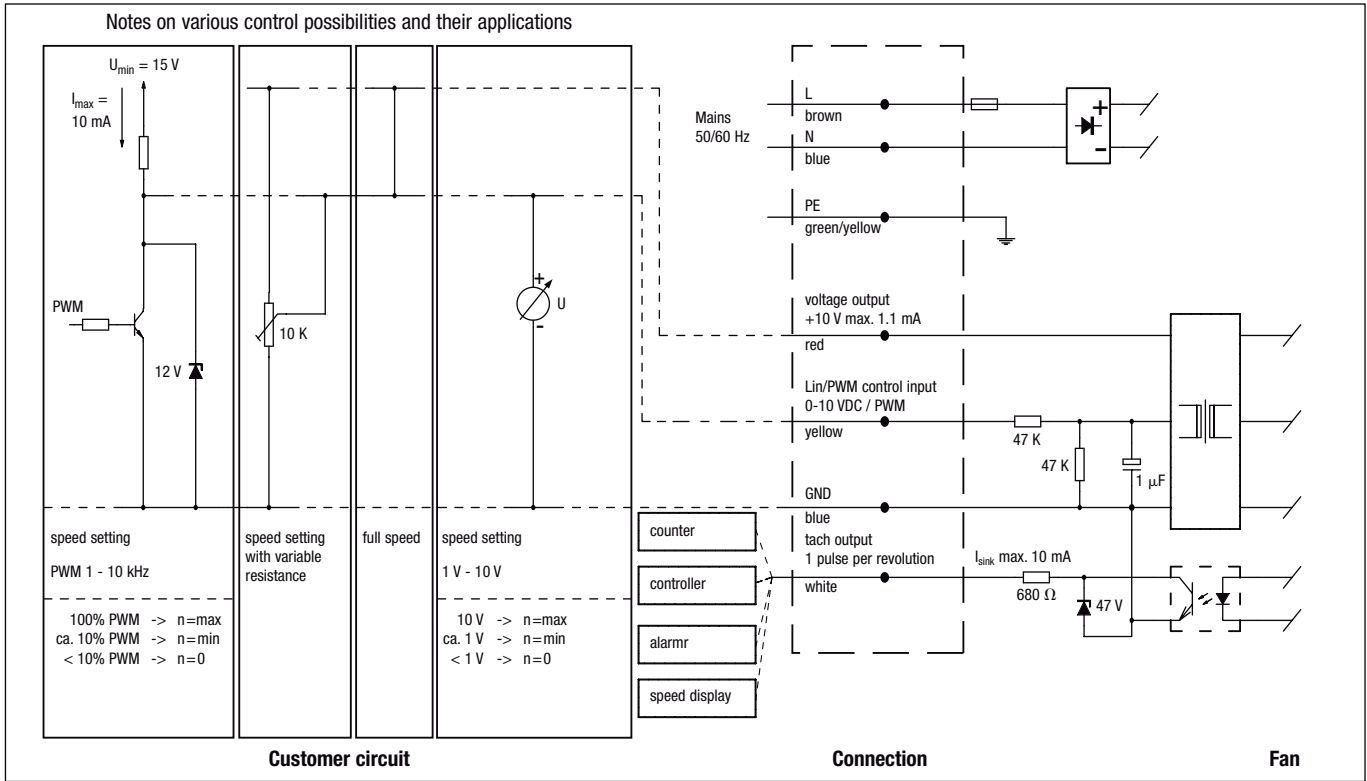
EC centrifugal fan

backward curved, single inlet

Product drawing

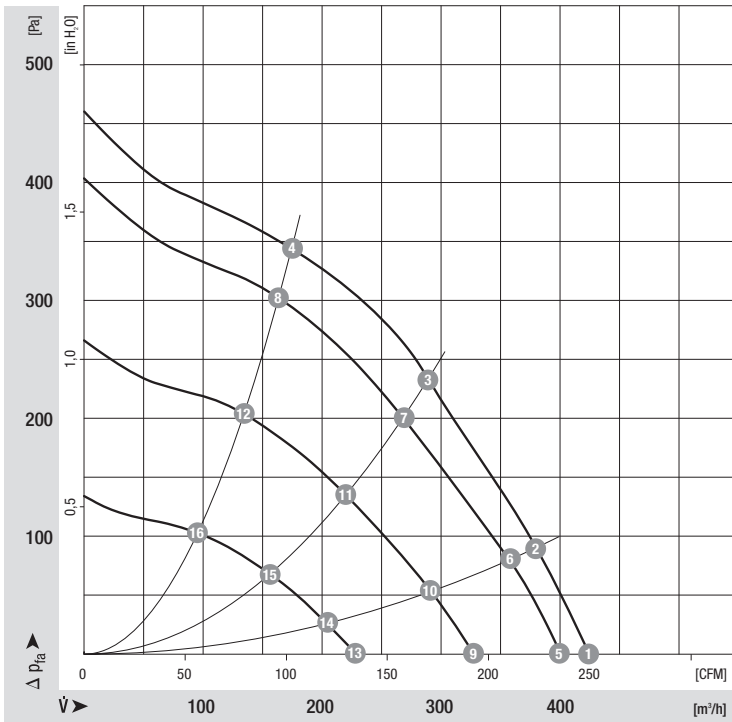


Connection screen



Line	Signal	Colour	Assignment / function	Line	Signal	Colour	Assignment / function
1	L	brown	Mains 50/60 Hz, phase	2	+10 V	red	Voltage output +10 V max. 1.1 mA
	N	blue	Mains 50/60 Hz, neutral		0-10 V / PWM	yellow	Control input
	PE	green/yellow	Protective earth		GND	blue	GND
					Tacho	white	Tach output: pulses per revolution

Charts: Air flow



Measured values

	n	P _e	I	LpA _{in}
	min ⁻¹	W	A	dB(A)
1	4350	37	0.55	75
2	4310	41	0.60	74
3	4260	46	0.70	61
4	4340	41	0.60	60
5	4150	34	0.60	78
6	4090	36	0.60	69
7	4010	39	0.60	58
8	4080	34	0.60	58
9	3390	20	0.40	67
10	3350	22	0.40	58
11	3300	23	0.40	53
12	3350	22	0.40	53
13	2370	10.0	0.20	52
14	2360	11	0.20	49
15	2350	11	0.20	45
16	2370	11	0.20	44