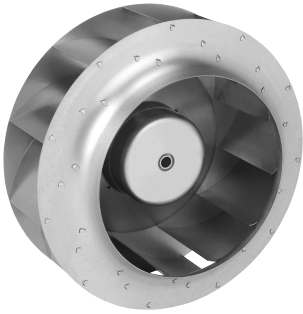


R1G280-AE45-52

EC centrifugal fan

backward curved, single inlet



ebm-papst Mulfingen GmbH & Co. KG

Bachmühle 2

D-74673 Mulfingen

Phone +49 7938 81-0

Fax +49 7938 81-110

sales@fansco.com

www.fansco.com

Nominal data

Type	R1G280-AE45-52	
Motor	M1G074-CF	
Nominal voltage	VDC	24
Nominal voltage range	VDC	16 .. 28
Type of data definition		rfa
Speed	min ⁻¹	1710
Power input	W	95
Current draw	A	4.6
Max. ambient temperature	°C	60

mi = max. load · me = max. efficiency · rfa = running at free air · cs = customer specs · cu = customer unit
Subject to alterations

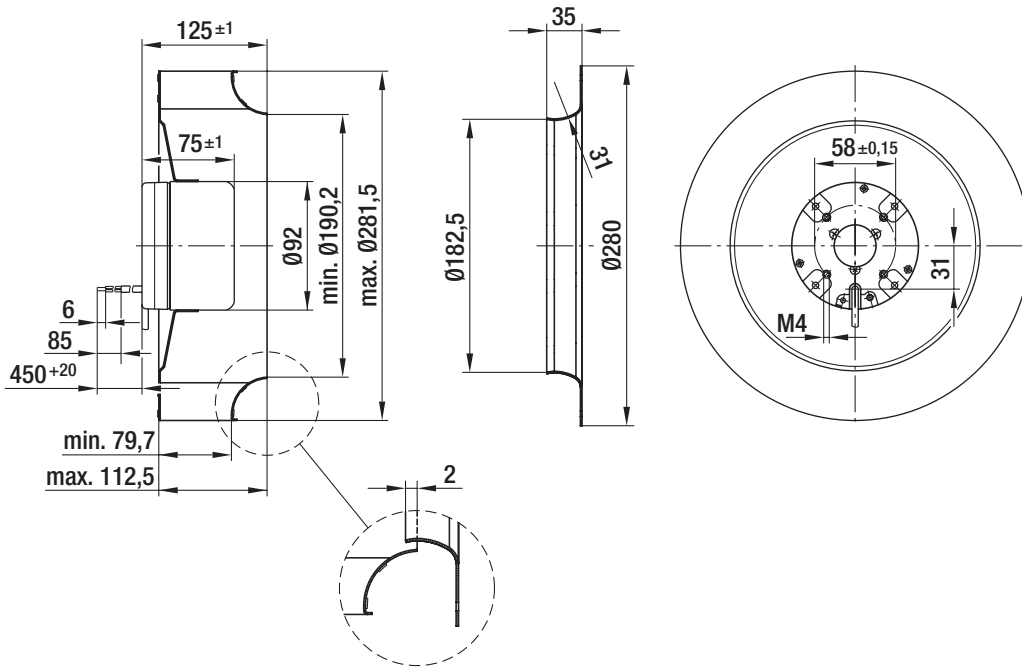
Technical features

Size	280 mm
Operation mode	Continuous operation (S1)
Direction of rotation	Clockwise, seen on rotor
Mounting position	Any
Humidity class	F0
Insulation class	"B"
Cable exit	Variable
Motor bearing	Ball bearing
Mass	2.8 kg
Material of electronics housing	Rotor: Coated in black
Material of impeller	Sheet steel
Motor protection	Reverse polarity and locked-rotor protection
Number of blades	11
Type of protection	IP 42
Protection class	I
Technical features	Control input 0-10 VDC / PWM, tach output, polarity and locked rotor protection
Approval	CSA C22.2 Nr.77; UL 1004-1

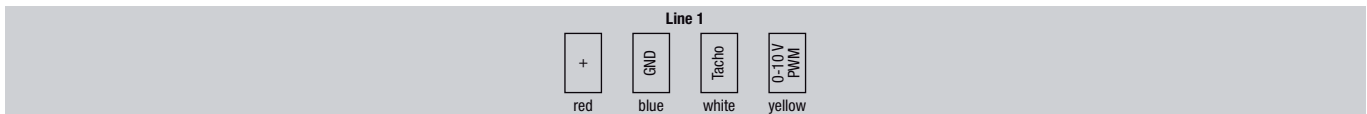
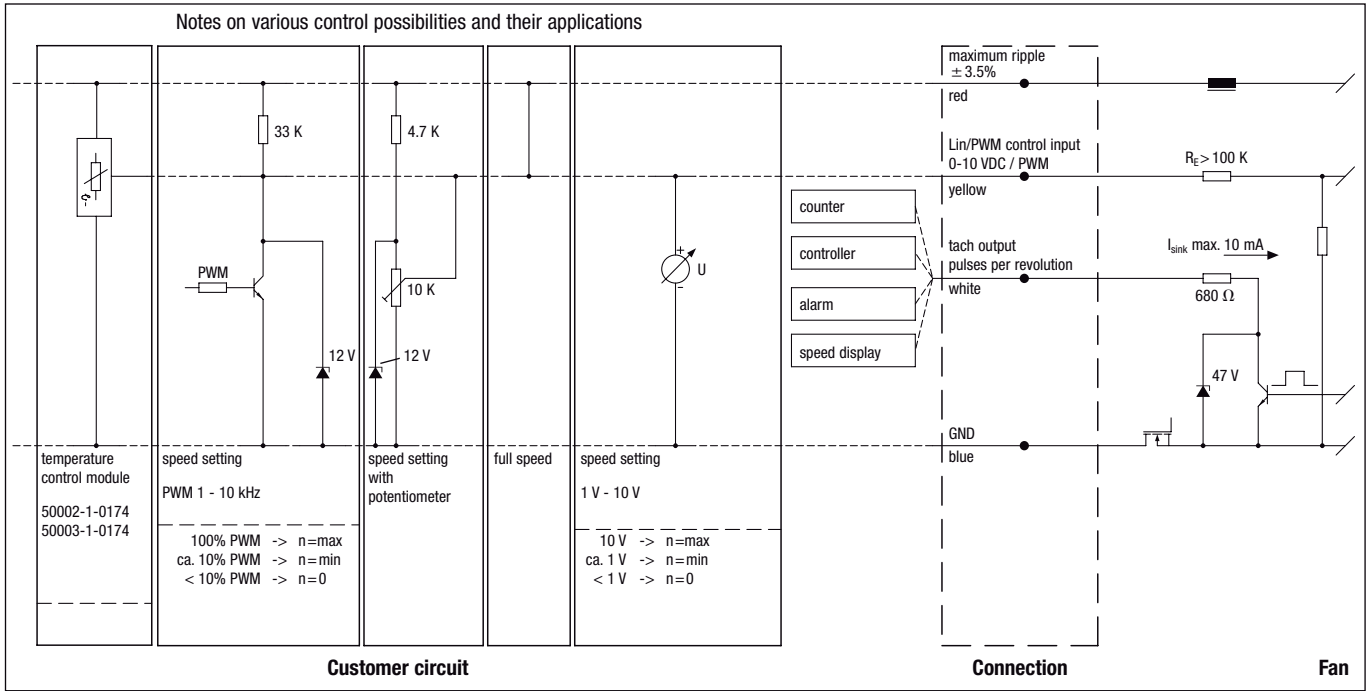
EC centrifugal fan

backward curved, single inlet

Product drawing

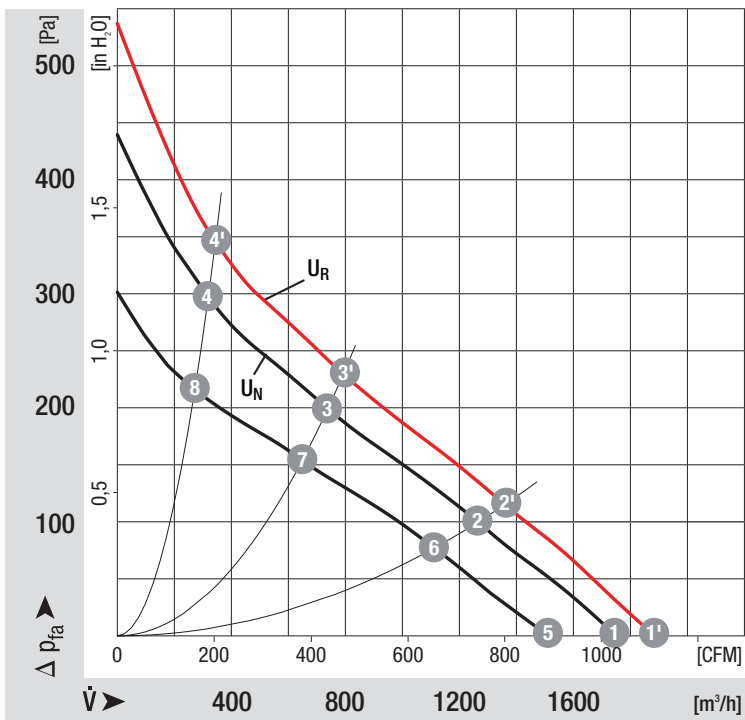


Connection screen



Line	Signal	Colour	Assignment / function	Line	Signal	Colour	Assignment / function
1	+	red	maximum ripple $\pm 3.5\%$	1	Tacho	white	Tach output: pulses per revolution
	GND	blue	GND		0-10 V / PWM	yellow	Control input

Charts: Air flow



Measured values

	n	P _e
	min ⁻¹	W
1'	1840	118
2'	1650	127
3'	1670	126
4'	1950	114
1	1710	95
2	1550	100
3	1560	100
4	1810	91
5	1470	60
6	1360	68
7	1370	67
8	1530	56