

R1G190-AB27-02

# EC centrifugal fan

backward curved, single inlet



**ebm-papst Mulfingen GmbH & Co. KG**

Bachmühle 2

D-74673 Mulfingen

Phone +49 7938 81-0

Fax +49 7938 81-110

sales@fansco.com

www.fansco.com

## Nominal data

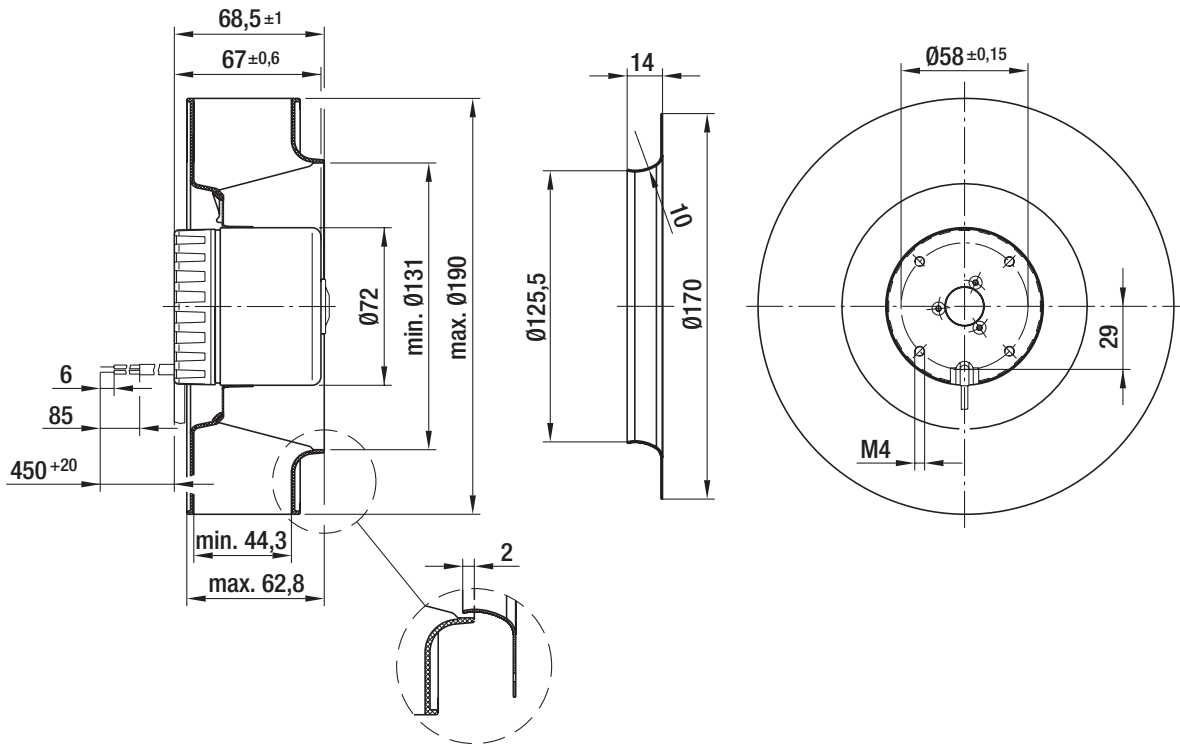
Type	R1G190-AB27-02	
Motor	M1G055-CF	
Nominal voltage	VDC	24
Nominal voltage range	VDC	16 .. 28
Type of data definition		rfa
Speed	min <sup>-1</sup>	2950
Power input	W	51
Current draw	A	2.3
Max. ambient temperature	°C	40

mi = max. load · me = max. efficiency · rfa = running at free air · cs = customer specs · cu = customer unit  
Subject to alterations

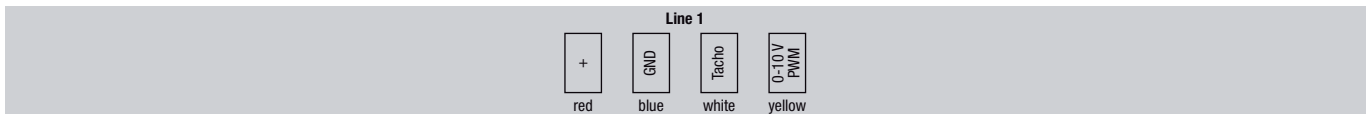
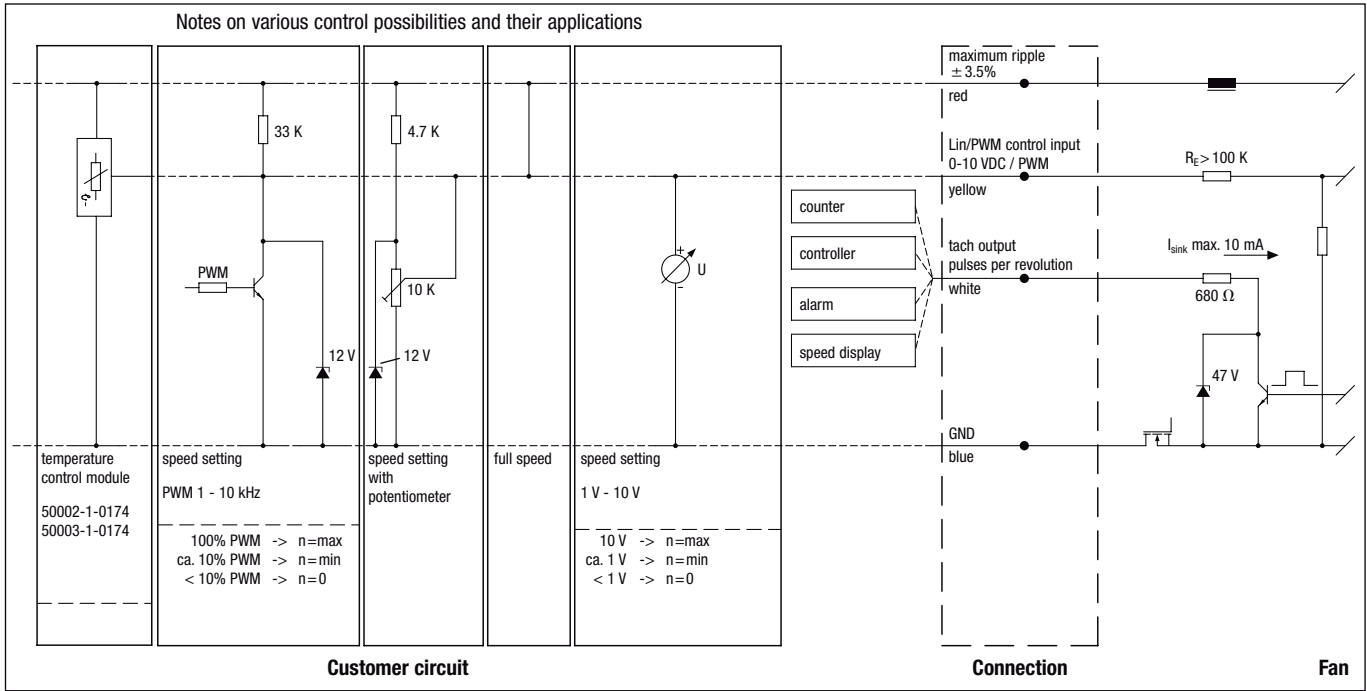
## Technical features

<b>Size</b>	190 mm
<b>Operation mode</b>	Continuous operation (S1)
<b>Direction of rotation</b>	Clockwise, seen on rotor
<b>Mounting position</b>	Any
<b>Humidity class</b>	F0
<b>Insulation class</b>	"B"
<b>Cable exit</b>	Variable
<b>Motor bearing</b>	Ball bearing
<b>Mass</b>	1.0 kg
<b>Material of electronics housing</b>	Rotor: Coated in black
<b>Material of impeller</b>	PA plastic 6.6, fiberglass-reinforced
<b>Motor protection</b>	Reverse polarity and locked-rotor protection
<b>Number of blades</b>	7
<b>Type of protection</b>	IP 20
<b>Protection class</b>	I
<b>Technical features</b>	Control input 0-10 VDC / PWM, tach output, polarity and locked rotor protection

## Product drawing

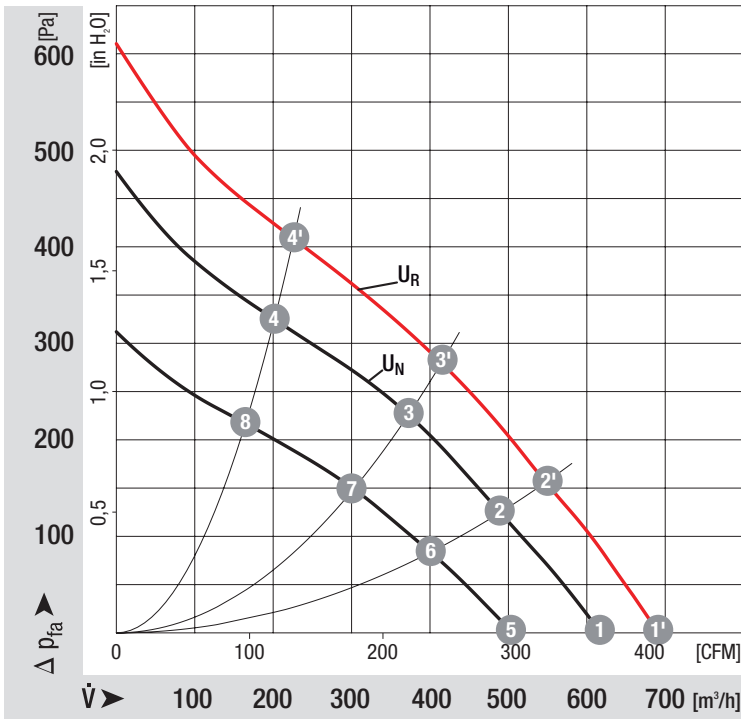


## Connection screen



Line	Signal	Colour	Assignment / function	Line	Signal	Colour	Assignment / function
1	+	red	maximum ripple $\pm 3.5\%$	1	Tacho	white	Tach output: pulses per revolution
	GND	blue	GND		0-10 V / PWM	yellow	Control input

## Charts: Air flow



## Measured values

	n	P <sub>e</sub>
	min <sup>-1</sup>	W
1'	3300	71
2'	3200	75
3'	3160	77
4'	3290	72
1	2950	51
2	2870	54
3	2830	56
4	2940	51
5	2390	28
6	2340	30
7	2320	31
8	2390	28