

R1G120-AD11-02

EC centrifugal fan

backward curved, single inlet



ebm-papst Mulfingen GmbH & Co. KG

Bachmühle 2

D-74673 Mulfingen

Phone +49 7938 81-0

Fax +49 7938 81-110

sales@fansco.com

www.fansco.com

Nominal data

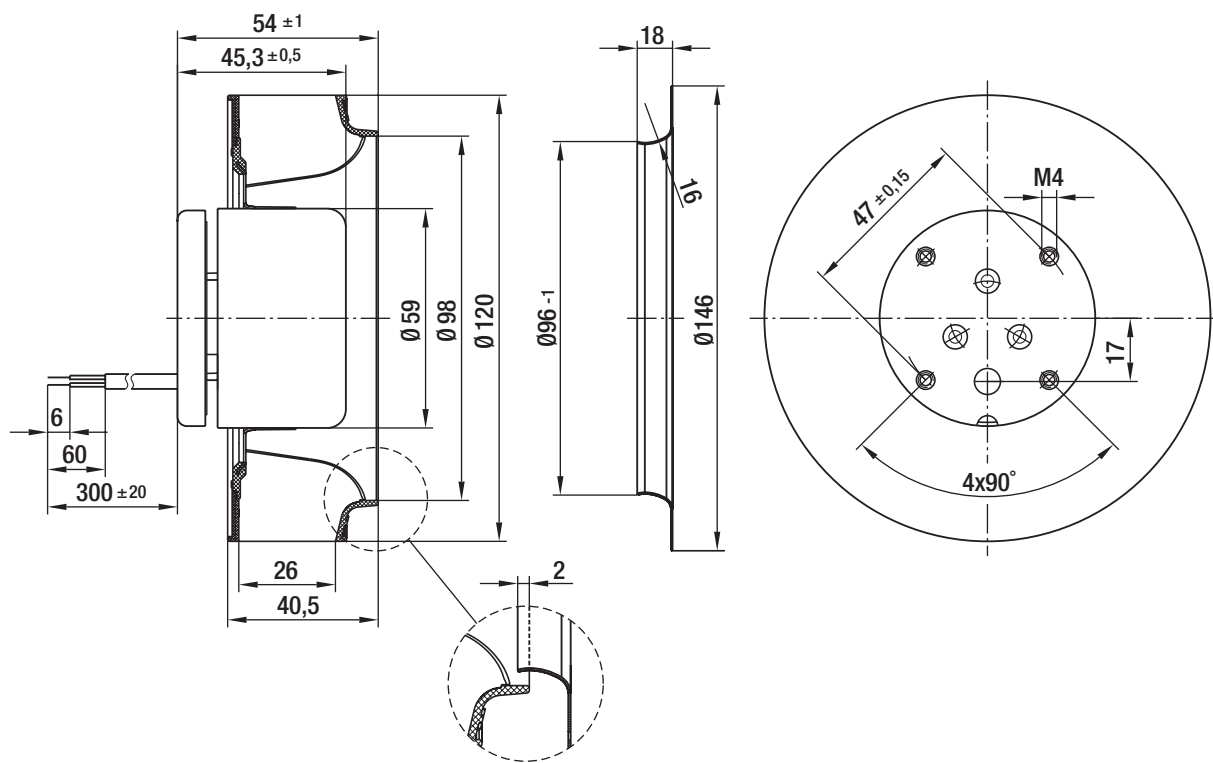
| | | |
|--------------------------|-------------------|----------|
| Type | R1G120-AD11-02 | |
| Motor | M1G045-BE | |
| Nominal voltage | VDC | 48 |
| Nominal voltage range | VDC | 36 .. 57 |
| Type of data definition | | rfa |
| Speed | min ⁻¹ | 4060 |
| Power input | W | 26 |
| Current draw | A | 0.6 |
| Max. ambient temperature | °C | 50 |

mi = max. load · me = max. efficiency · rfa = running at free air · cs = customer specs · cu = customer unit
Subject to alterations

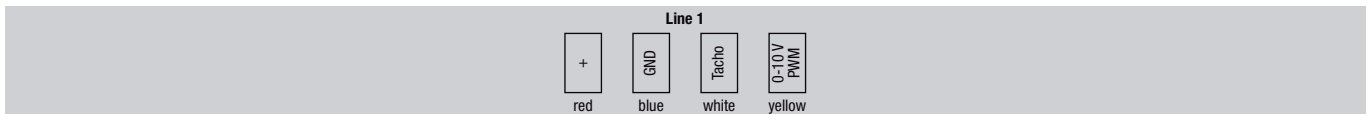
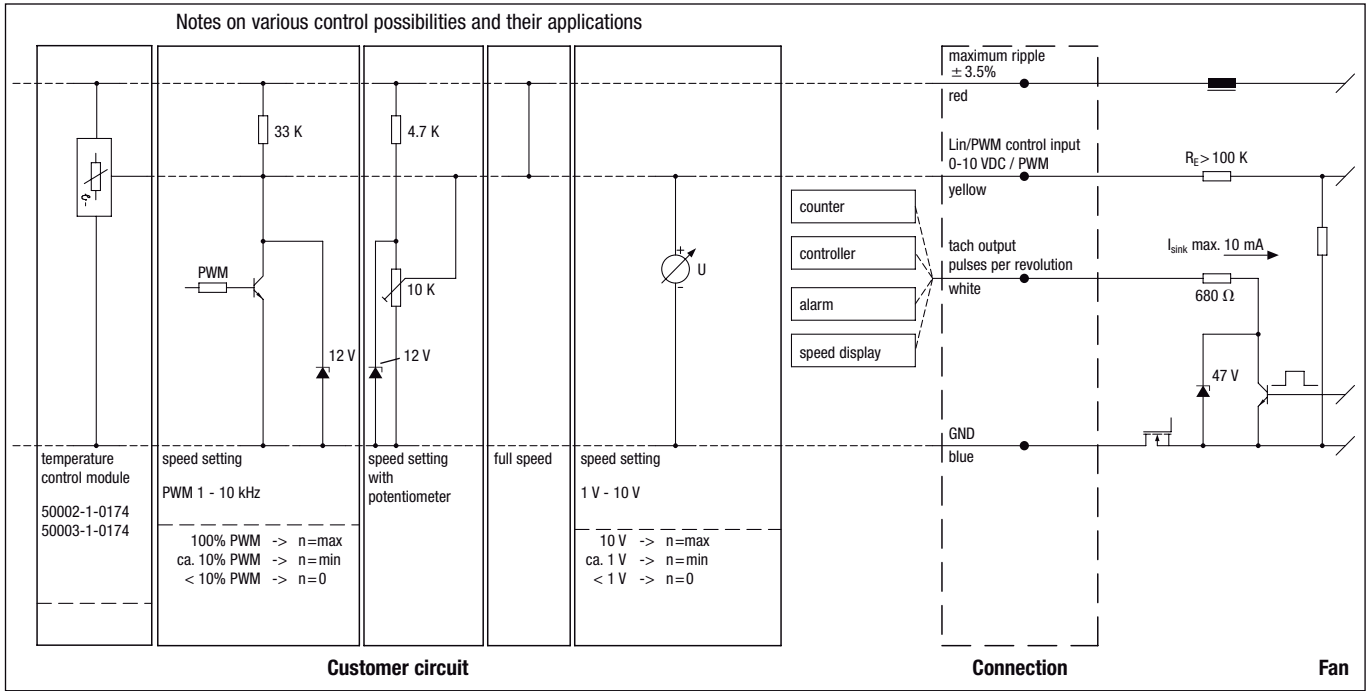
Technical features

| | |
|--|---|
| Size | 120 mm |
| Operation mode | Continuous operation (S1) |
| Direction of rotation | Clockwise, seen on rotor |
| Mounting position | Any |
| Insulation class | "B" |
| Cable exit | Axial |
| Motor bearing | Ball bearing |
| Mass | 0.5 kg |
| Material of electronics housing | Rotor: Galvanized |
| Material of impeller | PA plastic 6.6, fiberglass-reinforced |
| Motor protection | Reverse polarity and locked-rotor protection |
| Number of blades | 9 |
| Type of protection | IP 20 |
| Protection class | I |
| Technical features | Control input 0-10 VDC / PWM, tach output, polarity and locked rotor protection |
| Approval | CCC; CSA C22.2 Nr.113; UL 507 |

Product drawing

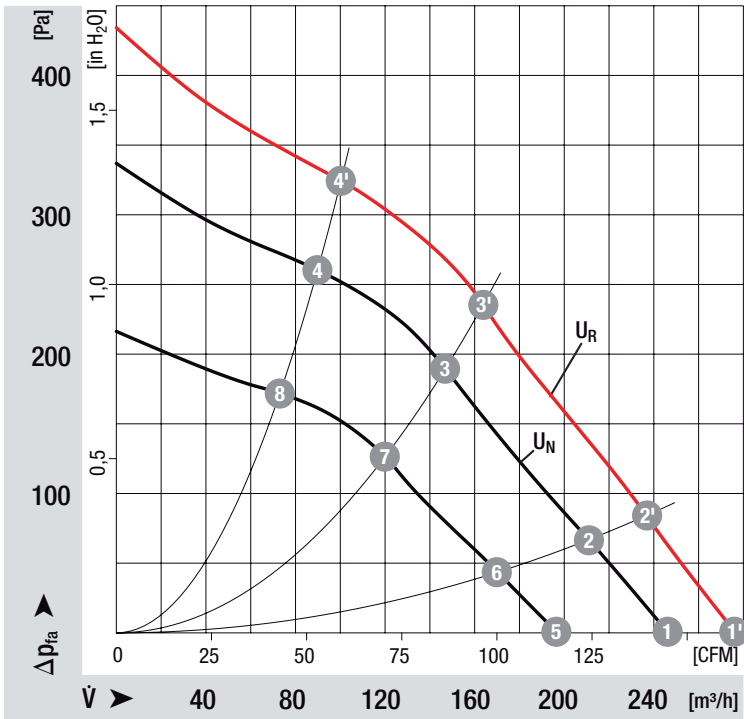


Connection screen



| Line | Signal | Colour | Assignment / function | Line | Signal | Colour | Assignment / function |
|------|--------|--------|----------------------------|------|--------------|--------|------------------------------------|
| 1 | + | red | maximum ripple $\pm 3.5\%$ | 1 | Tacho | white | Tach output: pulses per revolution |
| | GND | blue | GND | | 0-10 V / PWM | yellow | Control input |

Charts: Air flow



Measured values

| | n | P _e |
|----|-------------------|----------------|
| | min ⁻¹ | W |
| 1' | 4520 | 36 |
| 2' | 4500 | 36 |
| 3' | 4540 | 36 |
| 4' | 4750 | 32 |
| 1 | 4060 | 26 |
| 2 | 4000 | 26 |
| 3 | 4050 | 26 |
| 4 | 4200 | 23 |
| 5 | 3270 | 14 |
| 6 | 3250 | 14 |
| 7 | 3280 | 14 |
| 8 | 3400 | 13 |