

ebm-papst Mulfingen GmbH & Co. KG

Bachmühle 2 · D-74673 Mulfingen

Phone +49 7938 81-0

Fax +49 7938 81-110

sales@fansco.com

www.fansco.com

Limited partnership · Headquarters Mulfingen

Amtsgericht (court of registration) Stuttgart · HRA 590344

General partner Elektrobau Mulfingen GmbH · Headquarters Mulfingen

Amtsgericht (court of registration) Stuttgart · HRB 590142

Nominal data

| | | | |
|-----------------------------|-----------------------|------|------|
| Type | M4Q045-CF01-01 | | |
| Motor | M4Q045-CF | | |
| Phase | | 1~ | 1~ |
| Nominal voltage | VAC | 230 | 230 |
| Frequency | Hz | 50 | 60 |
| Method of obtaining data | | me | me |
| Valid for approval/standard | | CE | CE |
| Speed (rpm) | min ⁻¹ | 1300 | 1550 |
| Power consumption | W | 60 | 58 |
| Power output | W | 16 | 16 |
| Current draw | A | 0.42 | 0.36 |
| Min. ambient temperature | °C | -30 | -30 |
| Max. ambient temperature | °C | 40 | 40 |
| Starting current | A | 0.58 | 0.5 |

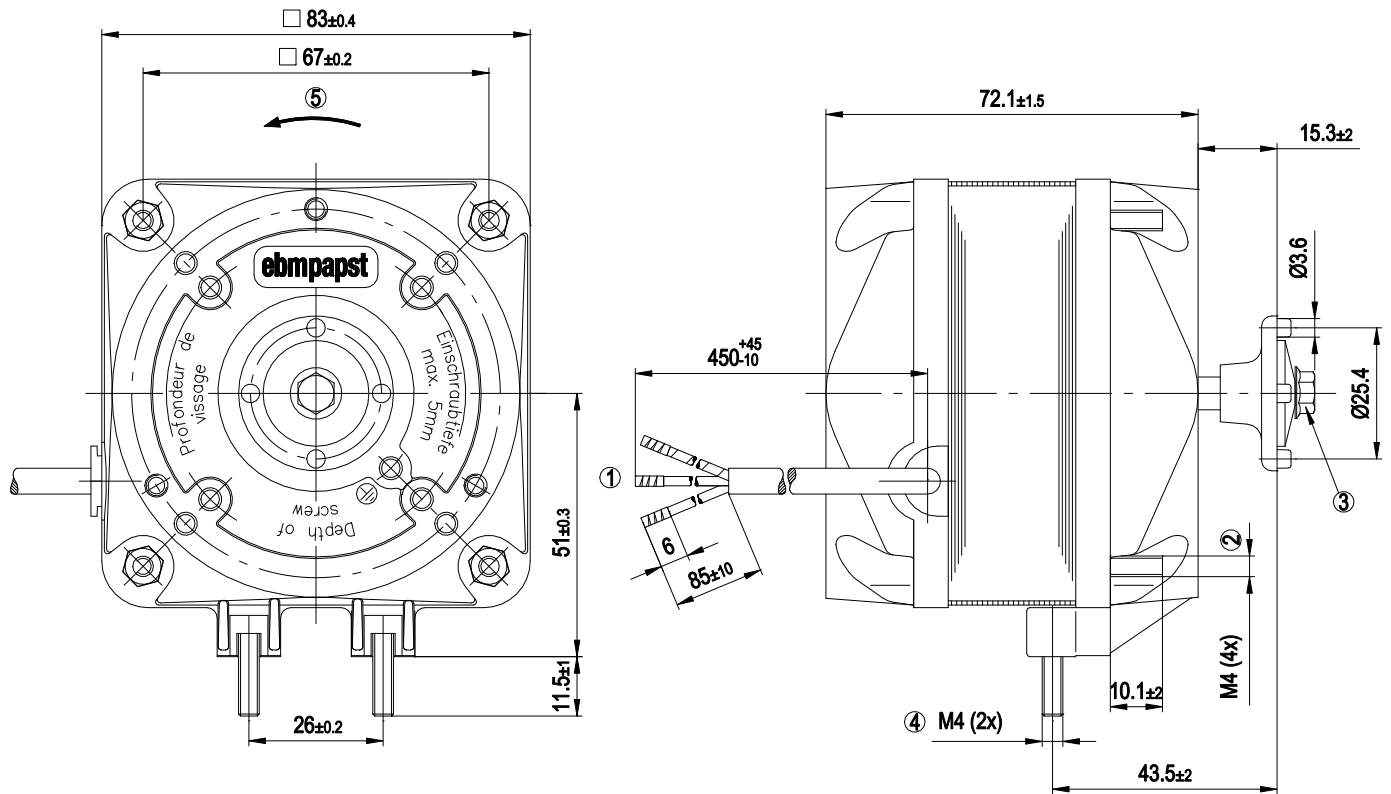
ml = Max. load · me = Max. efficiency · fa = Free air · cs = Customer specification · ce = Customer equipment
Subject to change



Technical description

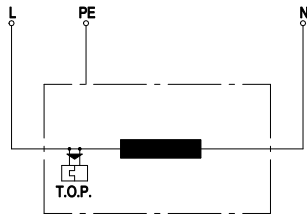
| | |
|---|---|
| Weight | 1.3 kg |
| Fan size | 45 mm |
| Bearing shield material | Die-cast aluminum |
| Direction of rotation | Counterclockwise, viewed toward rotor |
| Degree of protection | IP42; installation- and position-dependent |
| Insulation class | "B" |
| Max. permitted ambient temp. for motor (transport/storage) | + 80 °C |
| Min. permitted ambient temp. for motor (transport/storage) | - 40 °C |
| Installation position | Any |
| Condensation drainage holes | None |
| Mode | S1 |
| Motor bearing | Calotte bearing |
| Touch current according to IEC 60990 (measuring circuit Fig. 4, TN system) | < 0.75 mA |
| Motor protection | Thermal overload protector (TOP) internally connected |
| With cable | Lateral |
| Protection class | I (with customer connection of protective earth) |
| Conformity with standards | EN 60335-1; CE |
| Approval | EAC; VDE |

Product drawing



| | |
|---|--|
| 1 | Cable PVC 0.5 mm ² , 3x crimped splices |
| 2 | Tightening torque for nut for fastening fan housing or guard grille 2.3 Nm |
| 3 | Tightening torque for screw for fastening fan impeller 1.4 Nm |
| 4 | Tightening torque for nut for fastening mounting bracket 2.3 Nm |
| 5 | Direction of rotation counterclockwise, viewed toward shaft end |

Connection diagram



| | |
|-----|------------------------------|
| L | = blue |
| PE | = green/yellow |
| N | = brown |
| TOP | = thermal overload protector |

Curves: Speed (rpm)

