

K3G133-RA01-03

## EC centrifugal module - RadiCal

backward curved, single inlet  
with housing



### ebm-papst Mulfingen GmbH & Co. KG

Bachmühle 2 · D-74673 Mulfingen

Phone +49 7938 81-0

Fax +49 7938 81-110

sales@fansco.com

www.fansco.com

Limited partnership · Headquarters Mulfingen  
County court Stuttgart · HRA 590344

General partner Elektrobau Mulfingen GmbH · Headquarters Mulfingen  
County court Stuttgart · HRB 590142

### Nominal data

Type	K3G133-RA01-03	
Motor	M3G045-AI	
Phase		1~
Nominal voltage	VAC	230
Nominal voltage range	VAC	200 .. 240
Frequency	Hz	50/60
Type of data definition		ml
Speed	min <sup>-1</sup>	3770
Power input	W	27
Current draw	A	0.27
Min. ambient temperature	°C	-25
Max. ambient temperature	°C	60

ml = Max. load · me = Max. efficiency · fa = Running at free air · cs = Customer specs · cu = Customer unit  
Subject to alterations



backward curved, single inlet  
with housing

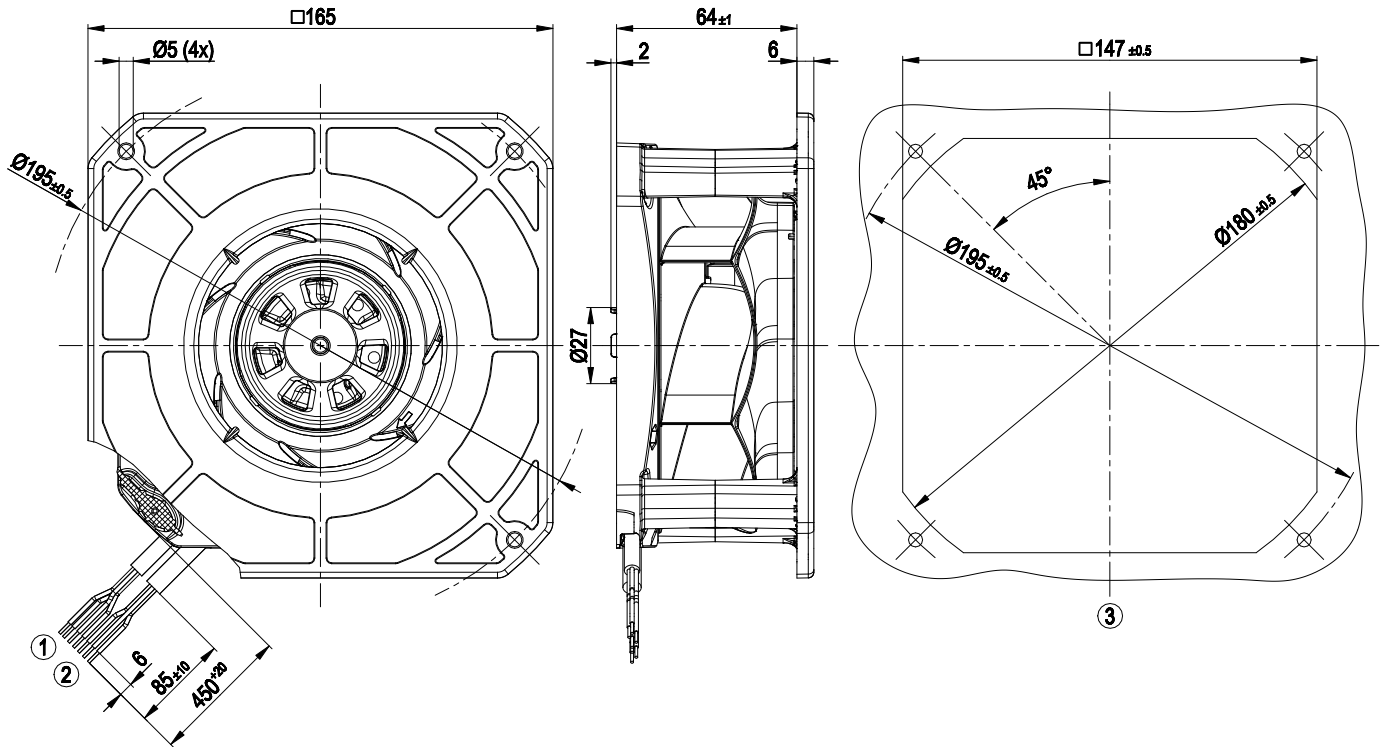
### Technical features

<b>Mass</b>	0.9 kg
<b>Size</b>	133 mm
<b>Surface of rotor</b>	Thick layer passivated
<b>Material of electronics housing</b>	Die-cast aluminium
<b>Material of impeller</b>	PA plastic
<b>Housing material</b>	PA plastic
<b>Number of blades</b>	7
<b>Direction of rotation</b>	Clockwise, seen on rotor
<b>Type of protection</b>	IP 54
<b>Insulation class</b>	"B"
<b>Humidity class</b>	F3-1
<b>Max. permissible ambient motor temp. (transp./ storage)</b>	+ 80 °C
<b>Min. permissible ambient motor temp. (transp./storage)</b>	- 40 °C
<b>Mounting position</b>	Any
<b>Condensate discharge holes</b>	None, open rotor
<b>Operation mode</b>	S1
<b>Motor bearing</b>	Ball bearing
<b>Technical features</b>	<ul style="list-style-type: none"> <li>- Output 10 VDC, max. 1.1 mA</li> <li>- Tach output</li> <li>- Output limit</li> <li>- Motor current limit</li> <li>- Soft start</li> <li>- Control input 0-10 VDC / PWM</li> <li>- Control interface with SELV potential safely disconnected from the mains</li> <li>- Overvoltage detection</li> <li>- Over-temperature protected electronics / motor</li> <li>- Line undervoltage detection</li> </ul>
<b>Touch current acc. IEC 60990 (measuring network Fig. 4, TN system)</b>	<= 3.5 mA
<b>Motor protection</b>	Locked-rotor protection
<b>Cable exit</b>	Lateral
<b>Protection class</b>	I (if protective earth is connected by customer)
<b>Product conforming to standard</b>	EN 60335-1; CE
<b>Approval</b>	CCC; UL 1004-7 + 60730; C22.2 Nr.77 + CAN/CSA-E60730-1

# EC centrifugal module - RadiCal

backward curved, single inlet  
with housing

## Product drawing



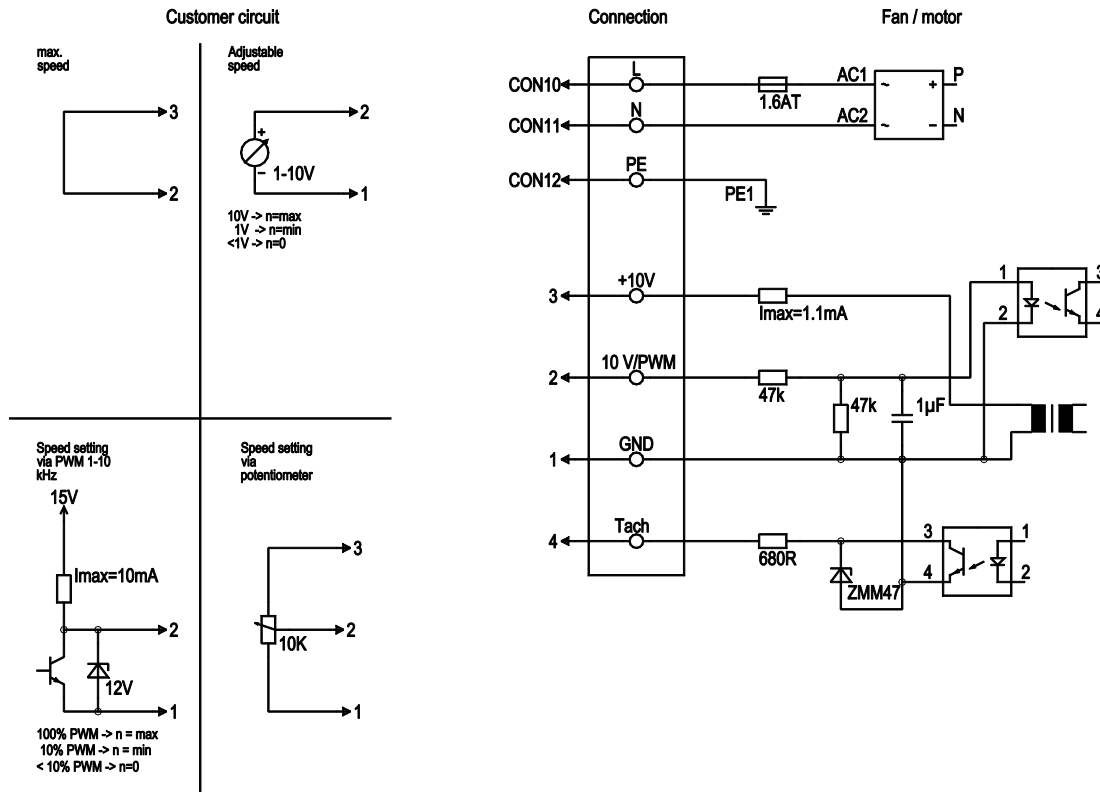
1	Control line PVC 4X AWG22, 4 x brass lead tips crimped
2	Connection line PVC 3G AWG20, 3x brass lead tips crimped
3	Mounting dimensions



# EC centrifugal module - RadiCal

backward curved, single inlet  
with housing

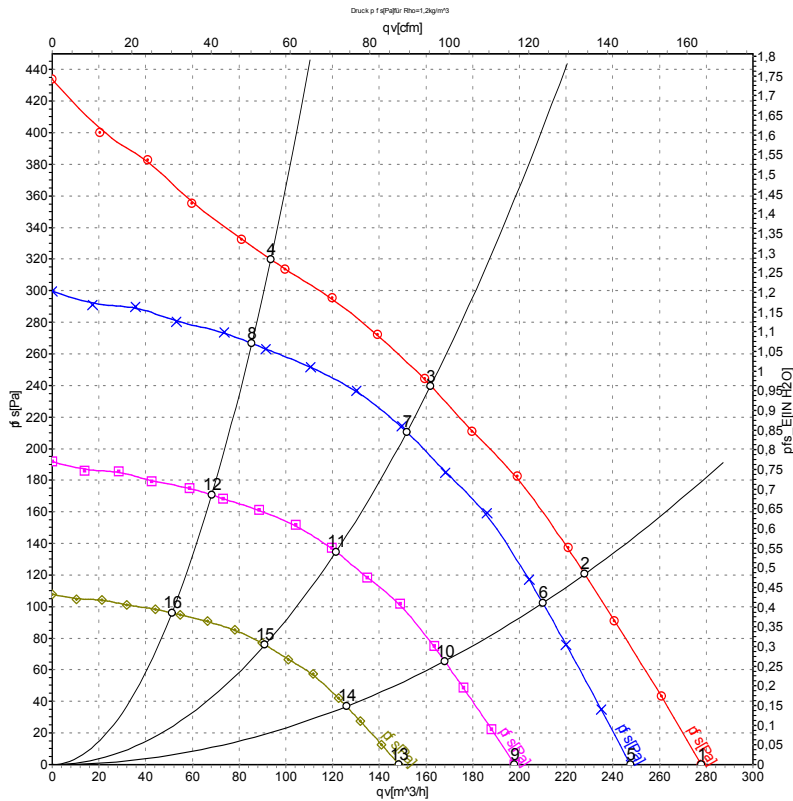
## Connection screen



No.	Conn.	Designation	Colour	Function / assignment
	CON10	L	black	Power supply 230 VAC, 50-60 Hz, see type plate for voltage range
	CON11	N	blue	Neutral conductor
	CON12	PE	green/yellow	Protective earth
	1	GND	blue	GND - Connection for control interface
	2	0- 10V PWM	yellow	Control input 0 - 10 V or PWM, electrically isolated
	3	10V/ max 1.1mA	red	Voltage output 10V/ 1.1mA, electrically isolated, not short-circuit-proof.
	4	Tach	white	Tach output: open collector, 1 pulse per revolution, electrically isolated



## Charts: Air flow 50 Hz



Measurement: LU-131806

Air performance measured as per ISO 5801 Installation category A. For detailed information on the measuring set-up, please contact ebmpapst. Suction-side noise levels: LwA measured as per ISO 13347 / LpA measured with 1m distance to fan axis. The values given are valid under the measuring conditions mentioned above and may vary according to the actual installation situation. With any deviation from the standard set-up, the specific values have to be checked and reviewed with the unit installed.

## Measured values

	U	f	n	P <sub>ed</sub>	I	LpA <sub>in</sub>	LwA <sub>in</sub>	qv	p <sub>fs</sub>
	V	Hz	min <sup>-1</sup>	W	A	dB(A)	dB(A)	m <sup>3</sup> /h	Pa
1	230	50	3930	24	0.23	58	66	280	0
2	230	50	3800	26	0.26	54	63	230	120
3	230	50	3770	27	0.27	52	61	160	240
4	230	50	3835	26	0.25	56	65	95	320
5	230	50	3500	17	0.16	55	64	250	0
6	230	50	3500	20	0.20	53	61	210	102
7	230	50	3500	22	0.22	51	59	150	211
8	230	50	3500	19	0.19	54	63	85	267
9	230	50	2800	8.5	0.08	50	59	200	0
10	230	50	2800	10	0.10	48	57	170	66
11	230	50	2800	11	0.11	46	55	120	135
12	230	50	2800	9.9	0.10	49	59	70	171
13	230	50	2100	3.6	0.04	44	53	150	0
14	230	50	2100	4.4	0.04	42	50	125	37
15	230	50	2100	4.8	0.05	39	48	90	76
16	230	50	2100	4.2	0.04	43	52	50	96

U = Supply voltage · f = Frequency · n = Speed · P<sub>ed</sub> = Power input · I = Current draw · LpA<sub>in</sub> = Sound pressure level inlet side · LwA<sub>in</sub> = Sound power level inlet side · qv = Air flow  
p<sub>fs</sub> = Pressure increase

