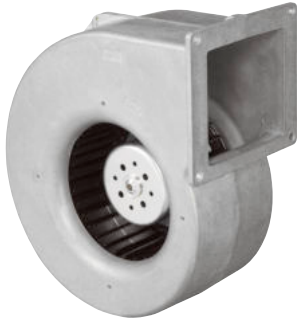


G3G140-AW21-12

# EC centrifugal fan

forward curved, single inlet

with housing (flange)



**ebm-papst Mulfingen GmbH & Co. KG**

Bachmühle 2

D-74673 Mulfingen

Phone +49 7938 81-0

Fax +49 7938 81-110

sales@fansco.com

www.fansco.com

## Nominal data

Type	G3G140-AW21-12	
Motor	M3G055-CF	
Phase		1~
Nominal voltage	VAC	115
Frequency	Hz	50/60
Type of data definition		ml
Speed	min <sup>-1</sup>	2370
Power input	W	70
Current draw	A	1
Max. ambient temperature	°C	60

ml = max. load · me = max. efficiency · rfa = running at free air · cs = customer specs · cu = customer unit  
Subject to alterations

# EC centrifugal fan

forward curved, single inlet

with housing (flange)

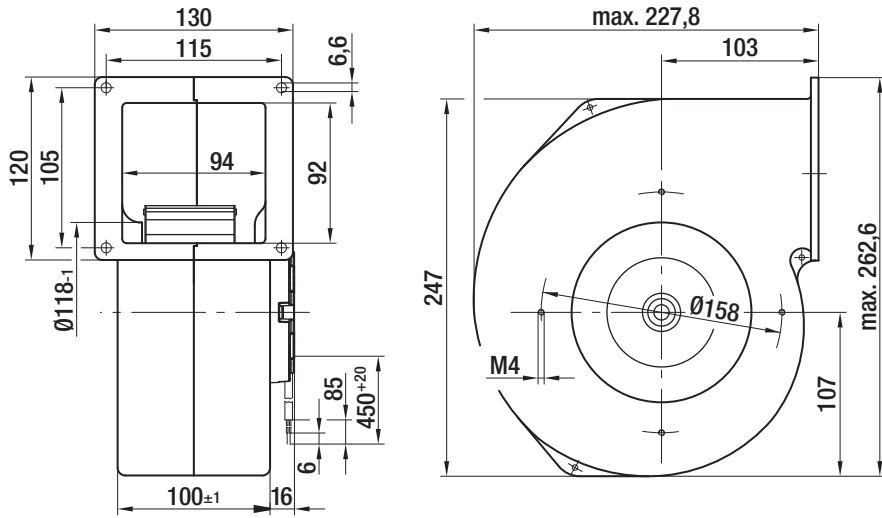
## Technical features

<b>Leakage current</b>	<= 3.5 mA
<b>General description</b>	Integrated electronics
<b>Size</b>	140 mm
<b>Operation mode</b>	Continuous operation (S1)
<b>Direction of rotation</b>	Clockwise, seen on rotor
<b>Mounting position</b>	Any
<b>Humidity class</b>	F3-1
<b>Insulation class</b>	"B"
<b>Cable exit</b>	Variable
<b>Motor bearing</b>	Ball bearing
<b>Mass</b>	2.6 kg
<b>Material of electronics housing</b>	Rotor: Galvanized
<b>Material of impeller</b>	PP plastic
<b>Motor protection</b>	Thermal overload protector (TOP) wired internally
<b>Type of protection</b>	IP 44
<b>Protection class</b>	I
<b>Technical features</b>	Input for set value for line 0-10 VDC / PWM (1.7 V = 50 m <sup>3</sup> /h, 10V = 300 m <sup>3</sup> /h), output 10 VDC max. 1.1 mA, tach output, locked rotor protection
<b>Approval</b>	GOST

# EC centrifugal fan

forward curved, single inlet  
with housing (flange)

## Product drawing

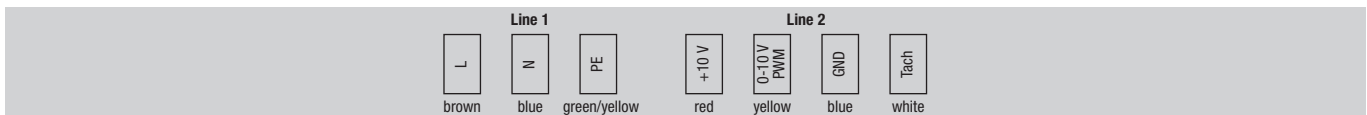
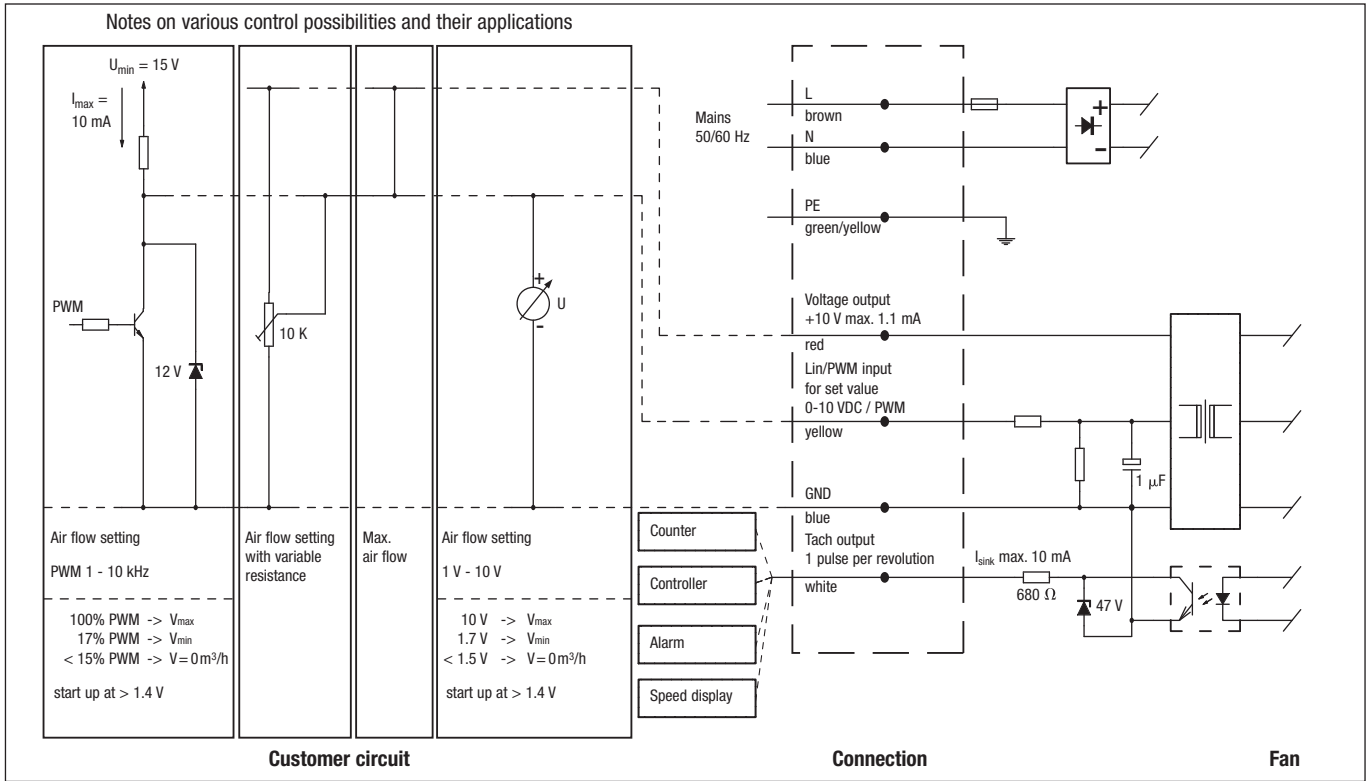


# EC centrifugal fan

forward curved, single inlet

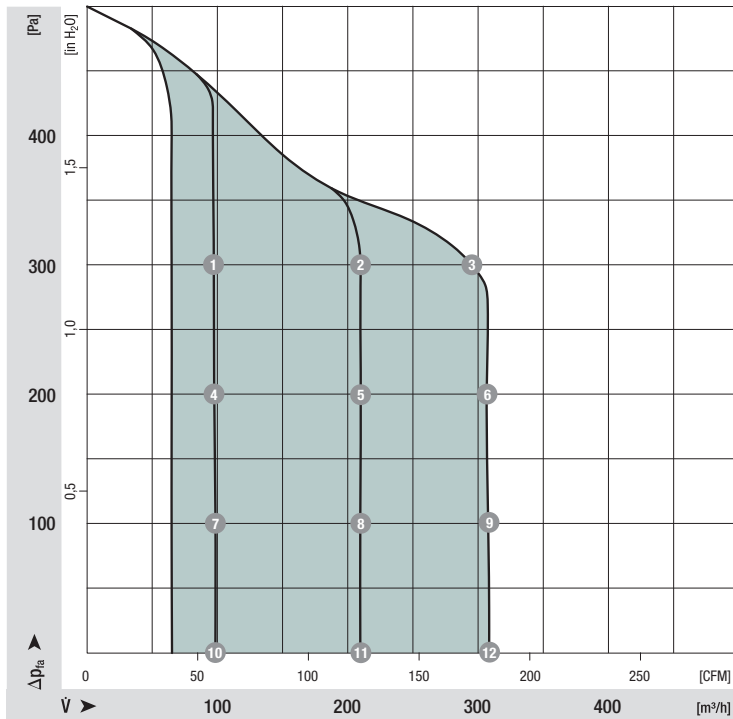
with housing (flange)

## Connection screen



Line	Connection	Colour	Assignment / function	Line	Connection	Colour	Assignment / function
1	L	brown	Mains 50/60 Hz, phase	2	+10 V	red	Voltage output +10 V max. 1.1 mA
	N	blue	Mains 50/60 Hz, neutral		0-10 V / PWM	yellow	Input for set value (impedance 100 kΩ)
	PE	green/yel	Protective earth		GND	blue	GND
					Tach	white	Tach output: 1 pulse per revolution

## Charts: Air flow



## Measured values

	<b>n</b>	<b>P<sub>e</sub></b>	<b>I</b>
	min <sup>-1</sup>	W	A
1	2390	29	0.40
2	2450	55	0.80
3	2460	67	1.00
4	1920	17	0.30
5	1960	30	0.70
6	2130	55	0.80
7	1300	9.0	0.20
8	1550	22	0.30
9	1760	40	0.60
10	440	3.00	0.10
11	880	9.0	0.15
12	1340	25	0.40