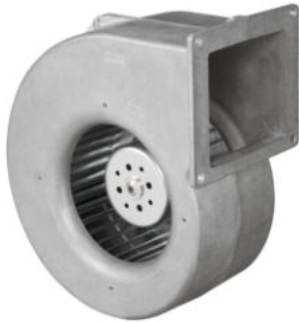


G3G140-AV03-02

EC centrifugal fan

forward curved, single inlet
with housing (flange)



ebm-papst Mulfingen GmbH & Co. KG

Bachmühle 2

D-74673 Mulfingen

Phone: +49(0)7938/81-0

Fax: +49(0)7938/81-110

sales@fansco.com

www.fansco.com

Nominal data

Type	G3G140-AV03-02	
Motor	M3G055-CF	
Nominal voltage	[VAC]	230
Frequency	[Hz]	50/60
Type of data definition		rfa
Speed	[min ⁻¹]	1800
Power input	[W]	66
Current draw	[A]	0.5
Min. ambient temperature	[°C]	-25
Max. ambient temperature	[°C]	60

ml = max. load · me = max. efficiency · rfa = running at free air · cs = customer specs · cu = customer unit
Subject to alterations

EC centrifugal fan

forward curved, single inlet

with housing (flange)

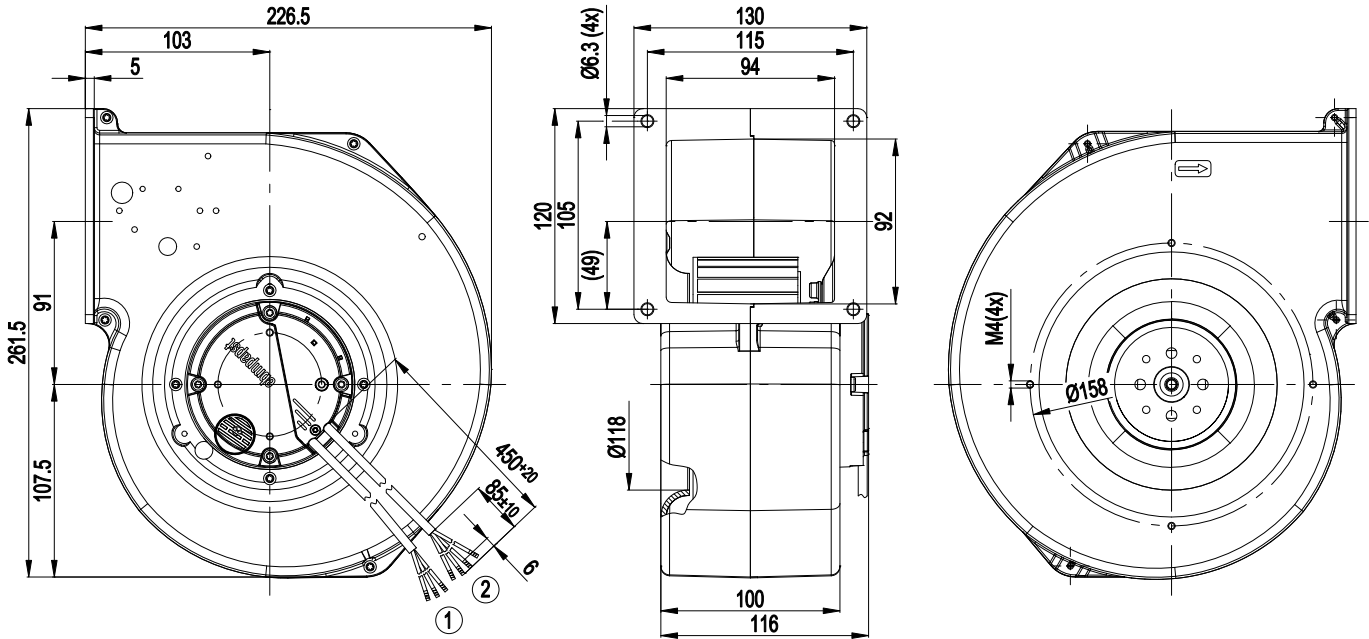
Technical features

Leakage current	<= 3.5 mA
Size	140 mm
Operation mode	S1
Direction of rotation	Clockwise, seen on rotor
Mounting position	Any
EMC harmonics	Acc. to EN 61000-3-2/3
EMC interference emission	Acc. to EN 61000-6-3 (household environment)
EMC interference immunity	Acc. to EN 61000-6-2 (industrial environment)
Insulation class	"B"
Cable exit	Variable
Condensate discharge holes	Rotor-side
Bearing motor	Ball bearing
Mass	2.53 kg
Material of electronics housing	Die-cast aluminium
Housing material	Die-cast aluminium
Material of impeller	Sheet steel, hot-galvanised
Motor protection	Thermal overload protector (TOP) wired internally
Product conforming to standard	EN 60335-1
Surface of rotor	Thick layer passivated
Type of protection	IP 44; Depending on installation and position as per EN 60034-5
Protection class	I
Technical features	<ul style="list-style-type: none"> - Control input 0-10 VDC / PWM - Output 10 VDC, max. 1.1 mA - Tach output - Over-temperature protected electronics / motor - Motor current limit - Soft start
Max. permissible ambient motor temp. (transp./ storage)	+ 80 °C
Min. permissible ambient motor temp. (transp./storage)	- 40 °C
Approval	GOST

EC centrifugal fan

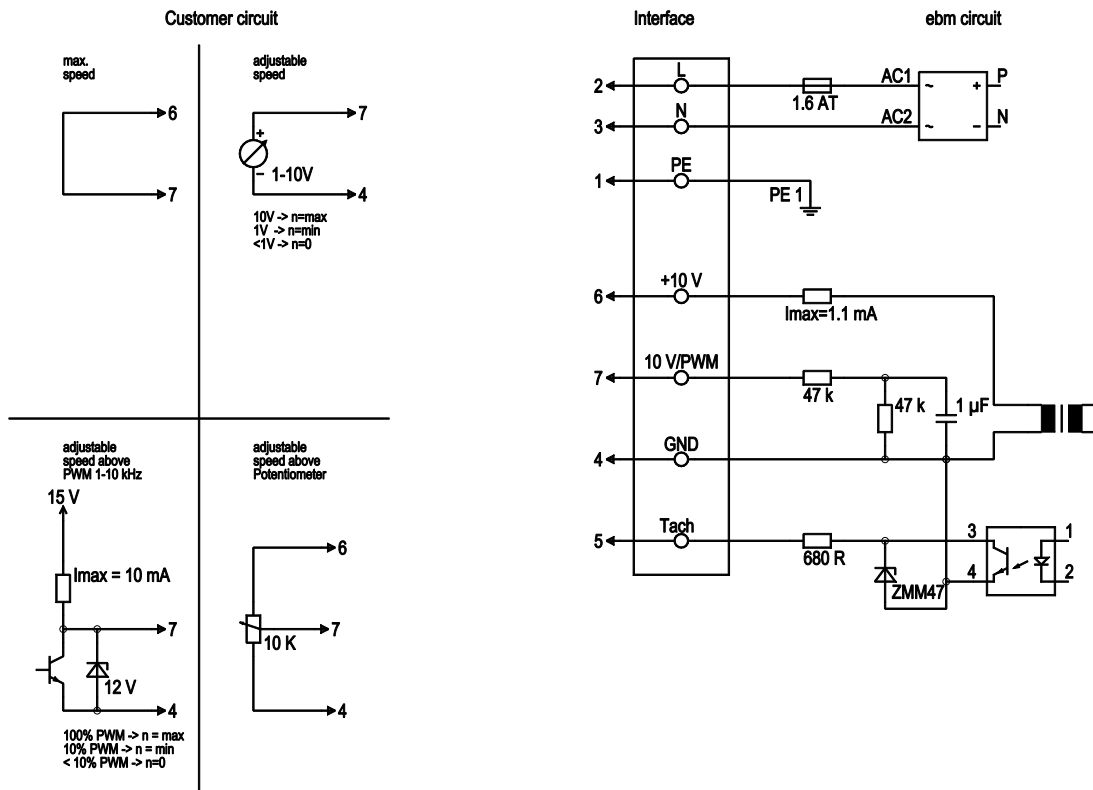
forward curved, single inlet
with housing (flange)

Product drawing



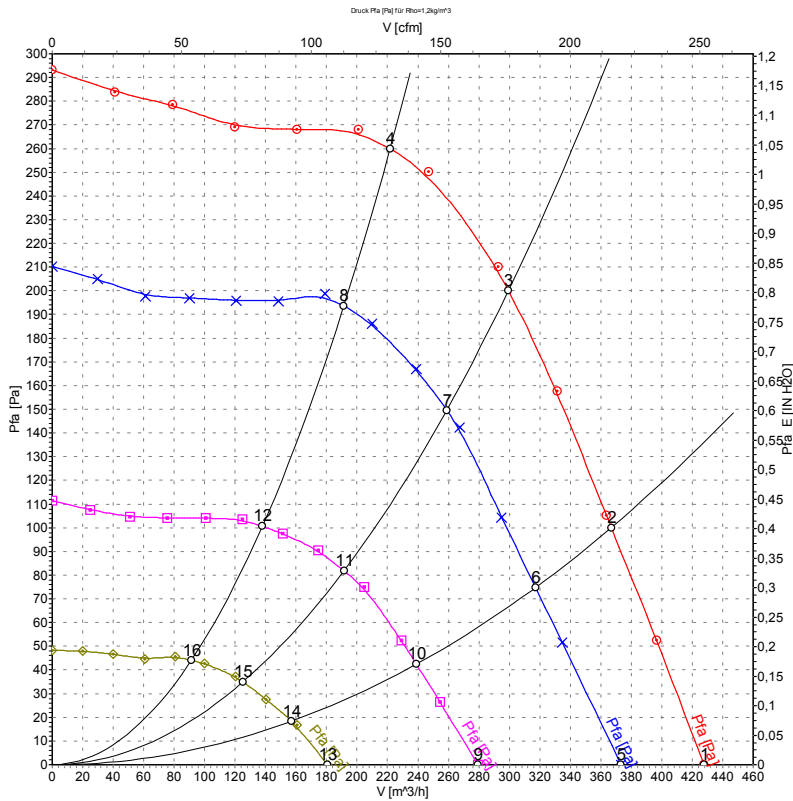
- | | |
|---|--|
| 1 | Connection line PVC 3G 0.5 mm ² , 3x brass lead tips crimped |
| 2 | Connection line PVC 4 x 0.25 mm ² ; 4 x brass lead tips crimped |

Connection screen



Line	No.	Signal	Colour	Function / assignment
1	1	PE	green/yellow	Protective earth
1	2	L	brown	Power supply 230 VAC, 50-60 Hz, see type plate for voltage range
1	3	N	blue	Neutral conductor
2	4	GND	blue	GND - Connection for control interface
2	5	Tacho	white	Tach output: Open Collector, 1 pulse per revolution, electrically isolated
2	6	10V	red	max. 1.1 mA, voltage output 10 V/1.1 mA, electrically isolated, not short-circuit-proof
2	7	0-10 V PWM	yellow	Control input 0 - 10 V or PWM, electrically isolated

Charts: Air flow 50 Hz



Measurement: LU-65700
 Measurement: LU-117046
 Measurement: LU-117047
 Measurement: LU-117050

Measured values

	U	f	n	P ₁	I	Ŷ	P _{fa}
	[V]	[Hz]	[min ⁻¹]	[W]	[A]	[m³/h]	[Pa]
1	230	50	1800	66	0.50	430	0
2	230	50	1855	59	0.43	365	100
3	230	50	1960	50	0.36	300	200
4	230	50	2075	42	0.31	220	260
5	230	50	1580	46	0.35	375	0
6	230	50	1630	40	0.30	315	75
7	230	50	1710	34	0.26	260	150
8	230	50	1780	27	0.21	190	194
9	230	50	1195	22	0.17	280	0
10	230	50	1220	18	0.14	240	42
11	230	50	1265	16	0.13	190	82
12	230	50	1305	13	0.11	140	101
13	230	50	810	9.04	0.08	180	0
14	230	50	830	8.05	0.07	155	19
15	230	50	845	6.87	0.07	125	35
16	230	50	890	6.35	0.06	90	44