

G3G125-AA20-10

EC centrifugal module

backward-curved, single-intake

with housing

ebm-papst Mulfingen GmbH & Co. KG

Bachmühle 2 · D-74673 Mulfingen

Phone +49 7938 81-0

Fax +49 7938 81-110

sales@fansco.com

www.fansco.com

Limited partnership · Headquarters Mulfingen

Amtsgericht (court of registration) Stuttgart · HRA 590344

General partner Elektrobau Mulfingen GmbH · Headquarters Mulfingen

Amtsgericht (court of registration) Stuttgart · HRB 590142

Nominal data

Type	G3G125-AA20-10	
Motor	M3G074-BF	
Phase		1~
Nominal voltage	VAC	230
Nominal voltage range	VAC	208 .. 250
Frequency	Hz	50/60
Method of obtaining data		me
Speed (rpm)	min ⁻¹	13000
Power consumption	W	600
Current draw	A	2.6
Min. ambient temperature	°C	-25
Max. ambient temperature	°C	50

ml = Max. load · me = Max. efficiency · fa = Free air · cs = Customer specification · ce = Customer equipment
Subject to change



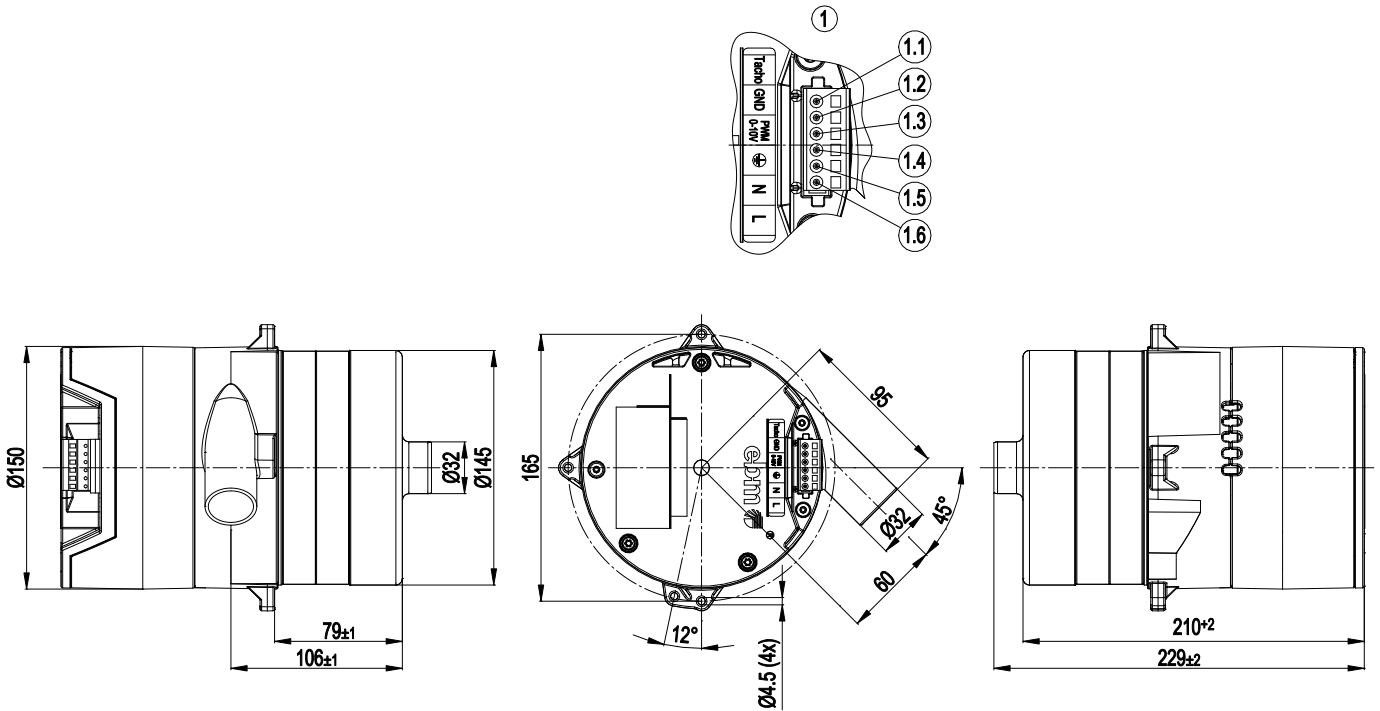
Technical description

Weight	4.0 kg
Size	125 mm
Motor size	74
Rotor surface	Painted black
Impeller material	Sheet aluminum
Number of blades	6
Direction of rotation	Clockwise, viewed toward rotor
Degree of protection	IP20
Insulation class	"B"
Max. permitted ambient temp. for motor (transport/storage)	+ 80 °C
Min. permitted ambient temp. for motor (transport/storage)	- 40 °C
Installation position	Any
Condensation drainage holes	None
Mode	S1
Motor mounting	Ball bearing
Technical features	<ul style="list-style-type: none"> - Tach output - Motor current limitation - PFC, active - Soft start - Control input 0-10 VDC / PWM - Thermal overload protection for electronics/motor
EMC immunity to interference	According to EN 61000-6-2
EMC circuit feedback	According to EN 61000-3-2/3
EMC interference emission	According to EN 61000-6-4 (industrial environment)
Touch current according to IEC 60990 (measuring circuit Fig. 4, TN system)	<= 3.5 mA
Electrical hookup	Plug
Motor protection	Locked-rotor protection
Conformity with standards	EN 61800-5-1; CE
Approval	CSA C22.2 No. 113; UL 507; VDE; EAC

EC centrifugal module

backward-curved, single-intake
with housing

Product drawing



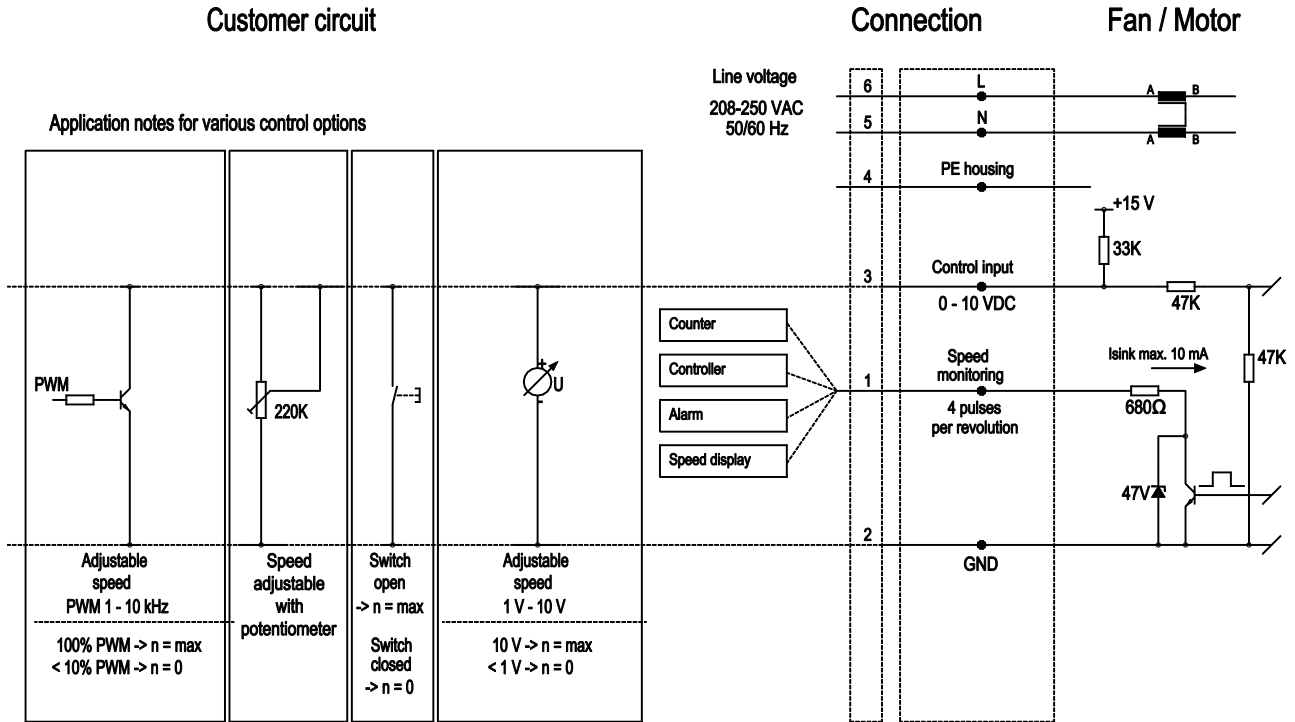
1	Connector housing WAGO 231-106
1.1	Tach
1.2	GND
1.3	PWM, 0-10 V
1.4	PE
1.5	N
1.6	L



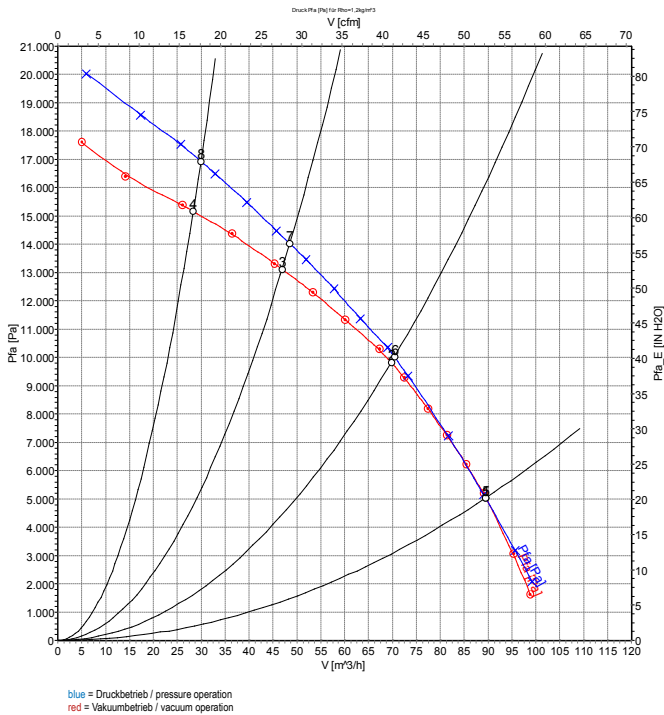
EC centrifugal module

backward-curved, single-intake
with housing

Connection diagram



Curves: Air performance 50 Hz



Measurement: LU-51285-1
Measurement: LU-51040-1

Air performance measured according to ISO 5801 installation category A. For detailed information on the measurement setup, contact ebm-papst. Intake sound level: Sound power level according to ISO 13347 / sound pressure level measured at 1 m distance from fan axis. The values given are valid under the specified measuring conditions and may vary due to conditions of installation. For deviations from the standard configuration, the parameters have to be checked on the installed unit.

Measured values

	Stage	U	f	n	P _{ed}	I	q _v	p _{fs}	q _v	p _{fs}
		V	Hz	min ⁻¹	W	A	m ³ /h	Pa	cfm	in. wg
1	vo	230	50	13130	568	2.47	90	5061	55	20.32
2	vo	230	50	13090	566	2.46	70	9819	40	39.42
3	vo	230	50	13420	529	2.30	45	13120	30	52.67
4	vo	230	50	13880	471	2.05	30	15170	15	60.90
5	po	230	50	13000	575	2.50	90	5047	50	20.26
6	po	230	50	13000	600	2.60	70	10020	40	40.23
7	po	230	50	13090	568	2.47	50	14020	30	56.29
8	po	230	50	13520	512	2.23	30	16930	20	67.97

U = Power supply · f = Frequency · n = Speed (rpm) · P_{ed} = Power consumption · I = Current draw · q_v = Air flow · p_{fs} = Pressure increase

