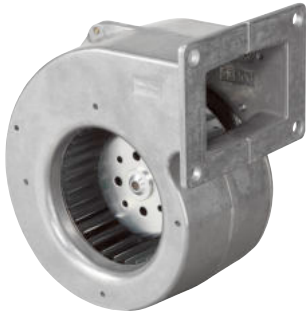


G3G108-BB01-02

# EC centrifugal fan with housing (small flange)

forward curved, single inlet



**ebm-papst Mulfingen GmbH & Co. KG**

Bachmühle 2

74673 Mulfingen

Phone: +49 7938 81-0

Fax: +49 7938 81-110

[www.fansco.com](http://www.fansco.com)

[sales@fansco.com](mailto:sales@fansco.com)

## Nominal data

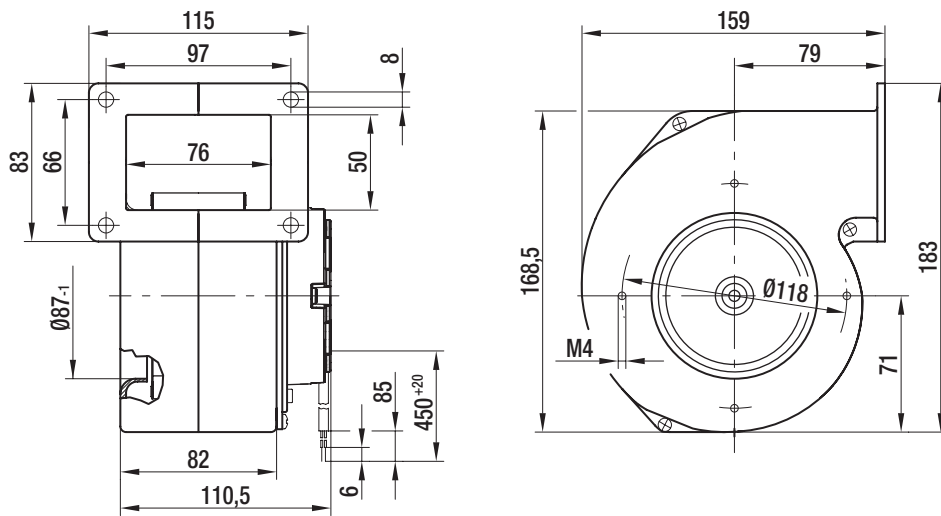
Type	G3G108-BB01-02	
Motor	M3G055-BD	
Nominal voltage	[VAC]	230
Frequency	[Hz]	50/60
Type of data definition		rfa
Speed	[min <sup>-1</sup> ]	2800
Power input	[W]	50
Current draw	[A]	0.38
Max. ambient temperature	[°C]	60
Air flow	[m <sup>3</sup> /h]	245
Back pressure	[Pa]	0
Sound pressure level	[dB(A)]	64.8

ml = max. load · me = max. efficiency · rfa = running at free air · cs = customer specs · cu = customer unit  
Subject to alterations

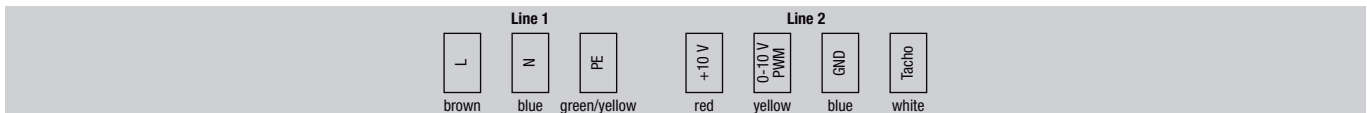
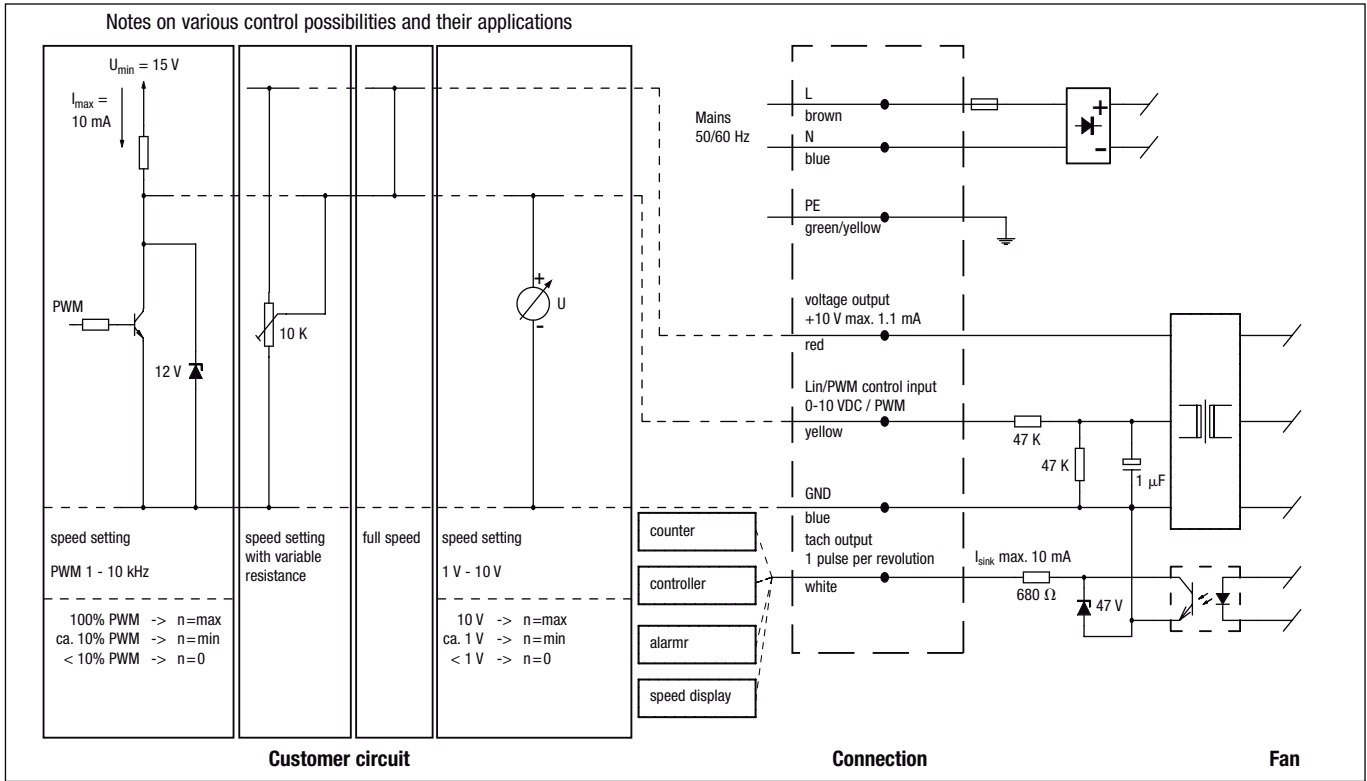
## Technical features

<b>Leakage current</b>	<= 3,5 mA
<b>General description</b>	Integrated electronics
<b>Size</b>	108 mm
<b>Operation mode</b>	Continuous operation (S1)
<b>Mounting position</b>	Mounting position: Any; condensate discharge holes: none
<b>Direction of rotation</b>	Clockwise, seen on rotor
<b>Insulation class</b>	"B"
<b>Cable exit</b>	Variable
<b>Bearing-motor</b>	Ball bearing
<b>Mass</b>	1.7 kg
<b>Material of electronics housing</b>	Rotor: Galvanized
<b>Material of impeller</b>	Hot-dip galvanized sheet steel
<b>Motor protection</b>	Locked-rotor protection
<b>Type of protection</b>	IP 44
<b>Protection class</b>	I
<b>Technical features</b>	Control input 0-10 VDC / PWM, output 10 VDC max. 1.1 mA, tach output, locked rotor protection
<b>Approval</b>	GOST

## Product drawing

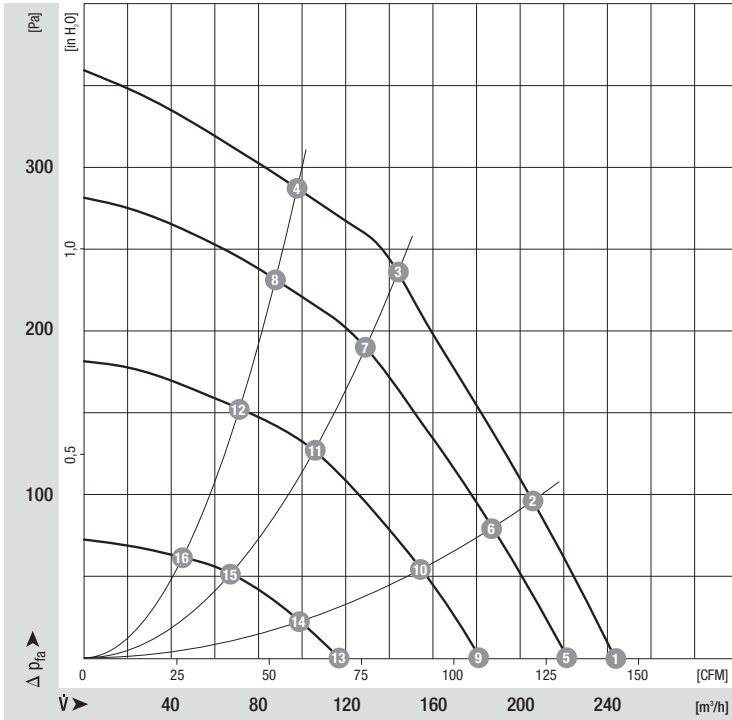


## Connection screen



Line	Signal	Colour	Assignment / function	Line	Signal	Colour	Assignment / function
1	L	brown	Mains 50/60 Hz, phase	2	+10 V	red	Voltage output +10 V max. 1.1 mA
	N	blue	Mains 50/60 Hz, neutral		0-10 V / PWM	yellow	Control input
	PE	green/yellow	Protective earth		GND	blue	GND
					Tacho	white	Tach output: pulses per revolution

Charts: Air flow



	n	P <sub>1</sub>	I	η <sub>TL</sub>
	[min <sup>-1</sup> ]	[W]	[A]	[%]
1	2800	50	0.38	
2	2950	44	0.35	42
3	3120	33	0.25	44
4	3260	25	0.20	32
5	2570	38	0.30	
6	2660	34	0.25	42
7	2820	25	0.20	44
8	2920	19	0.15	32
9	2150	23	0.20	
10	2200	20	0.15	42
11	2320	16	0.15	44
12	2390	12	0.10	32
13	1400	9	0.10	
14	1425	8	0.10	42
15	1490	7	0.10	44
16	1530	6	0.10	32