

G2E150-BA52-07

AC centrifugal fan

backward-curved, single-intake
with housing (without flange)

ebm-papst Mulfingen GmbH & Co. KG

Bachmühle 2 · D-74673 Mulfingen

Phone +49 7938 81-0

Fax +49 7938 81-110

sales@fansco.com

www.fansco.com

Limited partnership · Headquarters Mulfingen

Amtsgericht (court of registration) Stuttgart · HRA 590344

General partner Elektrobau Mulfingen GmbH · Headquarters Mulfingen

Amtsgericht (court of registration) Stuttgart · HRB 590142

Nominal data

Type	G2E150-BA52-07		
Motor	M2E052-CA		
Phase		1~	1~
Nominal voltage	VAC	230	230
Nominal voltage range	VAC	200 .. 240	200 .. 240
Frequency	Hz	50	60
Method of obtaining data		fa	fa
Valid for approval/standard		CE	CE
Speed (rpm)	min ⁻¹	2150	2100
Power consumption	W	55	66
Current draw	A	0.25	0.30
Capacitor	µF	1.5	1.5
Capacitor voltage	VDB	400	400
Min. back pressure	Pa	0	0
Min. back pressure	inH ₂ O	0	0
Min. ambient temperature	°C	-25	-25
Max. ambient temperature	°C	85	75

ml = Max. load · me = Max. efficiency · fa = Free air · cs = Customer specification · ce = Customer equipment
Subject to change



AC centrifugal fan

backward-curved, single-intake
with housing (without flange)

Technical description

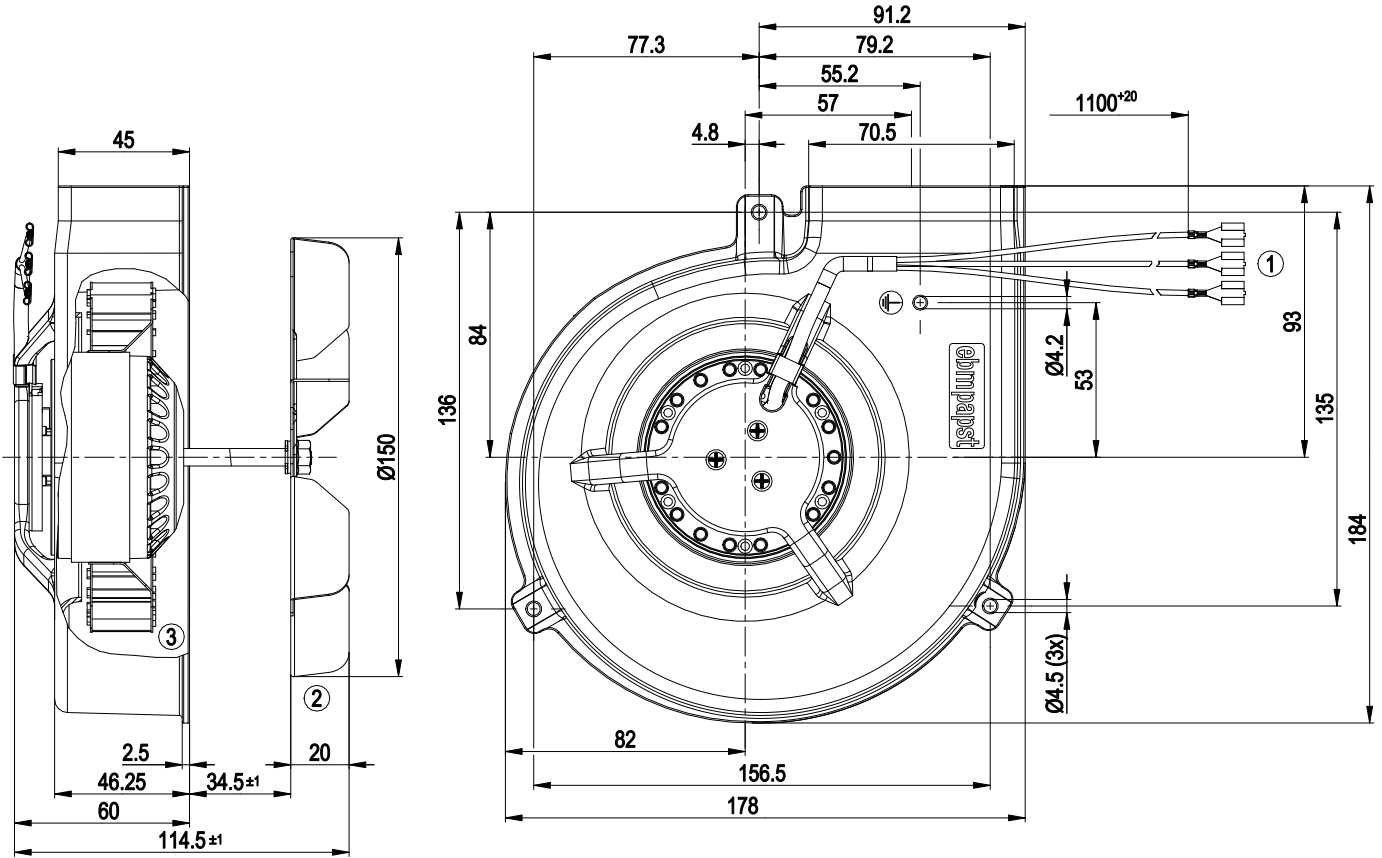
Weight	1.2 kg
Fan size	150 mm
Rotor surface	Unpainted
Impeller material	Sheet steel, stainless
Housing material	Die-cast aluminum
Direction of rotation	Clockwise, viewed toward rotor
Degree of protection	IP20
Insulation class	"F"
Max. permitted ambient temp. for motor (transport/storage)	+ 80 °C
Min. permitted ambient temp. for motor (transport/storage)	- 40 °C
Installation position	Any
Condensation drainage holes	None
Mode	S1
Motor bearing	Ball bearing
Touch current according to IEC 60990 (measuring circuit Fig. 4, TN system)	< 0.75 mA
Motor protection	Thermal overload protector (TOP) internally connected
Protection class	I (if protective earth is connected by customer to the housing's connection point)
Conformity with standards	EN 60335-1; CE
Approval	CSA C22.2 No. 100; UL 1004-1



AC centrifugal fan

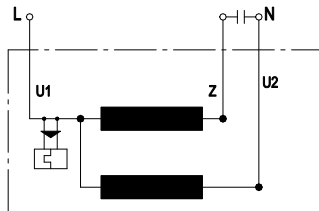
backward-curved, single-intake
with housing (without flange)

Product drawing



- | | |
|---|---|
| 1 | Cable FEP AWG20, 3x crimped flat push-on receptacle 6.3 x 0.8 |
| 2 | Centrifugal fan impeller (sheet steel, stainless) |
| 3 | Centrifugal fan impeller (sheet steel, galvanized) |

Connection diagram



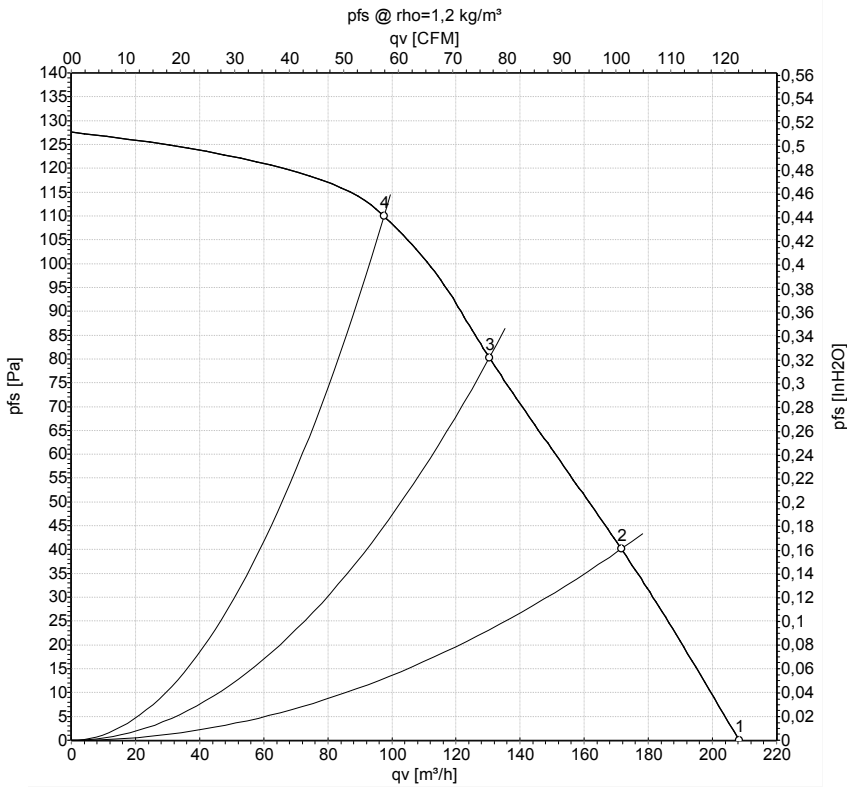
- | | | | | | |
|----|------|---|-------|----|-------|
| U1 | blue | Z | brown | U2 | black |
|----|------|---|-------|----|-------|



AC centrifugal fan

backward-curved, single-intake
with housing (without flange)

Curves: Air performance 50 Hz



Measurement: LU-37191-1

Air performance measured according to ISO 5801 installation category A. For detailed information on the measurement setup, contact ebm-papst. Intake sound level: Sound power level according to ISO 13347 / sound pressure level measured at 1 m distance from fan axis. The values given are valid under the specified measuring conditions and may vary due to conditions of installation. For deviations from the standard configuration, the parameters have to be checked on the installed unit.

Measured values

	U	f	n	P _e	I	qv	p _{fs}	qv	p _{fs}
	V	Hz	min ⁻¹	W	A	m ³ /h	Pa	CFM	inH ₂ O
1	230	50	2150	55	0.25	210	0	120	0.00
2	230	50	2150	54	0.24	170	40	100	0.16
3	230	50	2160	54	0.24	130	80	75	0.32
4	230	50	2190	53	0.23	100	110	60	0.44

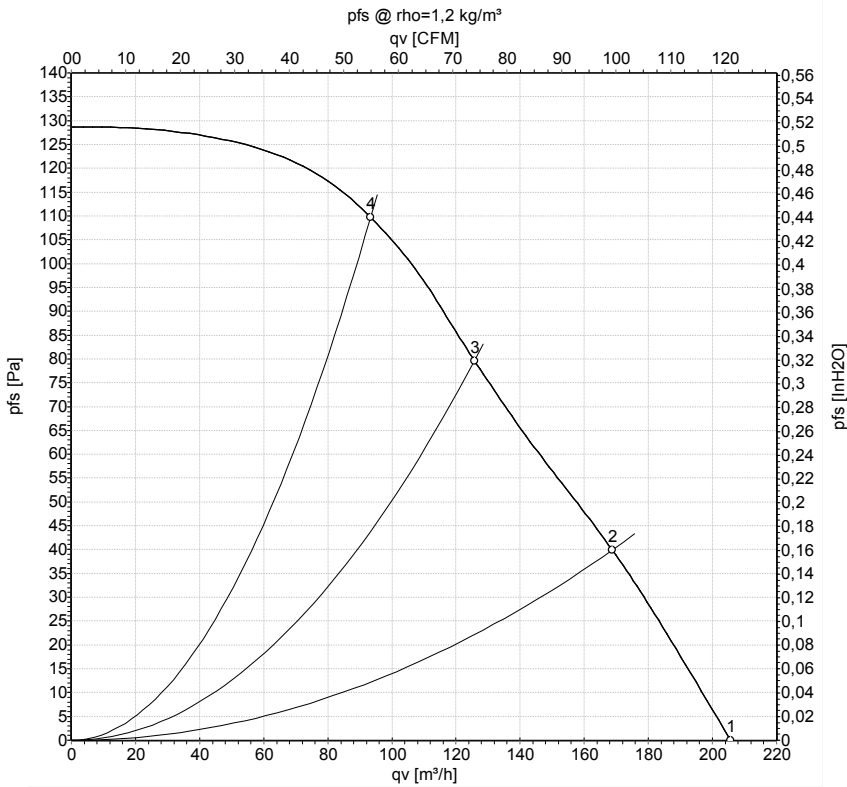
U = Power supply · f = Frequency · n = Speed (rpm) · P_e = Power consumption · I = Current draw · qv = Air flow · p_{fs} = Pressure increase



AC centrifugal fan

backward-curved, single-intake
with housing (without flange)

Curves: Air performance 60 Hz



Measurement: LU-37192-1

Air performance measured according to ISO 5801 installation category A. For detailed information on the measurement setup, contact ebm-papst. Intake sound level: Sound power level according to ISO 13347 / sound pressure level measured at 1 m distance from fan axis. The values given are valid under the specified measuring conditions and may vary due to conditions of installation. For deviations from the standard configuration, the parameters have to be checked on the installed unit.

Measured values

	U	f	n	P _e	I	qv	p _{fs}	qv	p _{fs}
	V	Hz	min ⁻¹	W	A	m ³ /h	Pa	CFM	inH ₂ O
1	230	60	2100	66	0.30	205	0	120	0.00
2	230	60	2120	66	0.29	170	40	100	0.16
3	230	60	2125	66	0.28	125	80	75	0.32
4	230	60	2170	65	0.28	95	110	55	0.44

U = Power supply · f = Frequency · n = Speed (rpm) · P_e = Power consumption · I = Current draw · qv = Air flow · p_{fs} = Pressure increase

