

AC centrifugal fan

forward-curved, single-intake

with housing (flange)

ebm-papst Mulfingen GmbH & Co. KG

Bachmühle 2 · D-74673 Mulfingen

Phone +49 7938 81-0

Fax +49 7938 81-110

sales@fansco.com

www.fansco.com

Limited partnership · Headquarters Mulfingen

Amtsgericht (court of registration) Stuttgart · HRA 590344

General partner Elektrobau Mulfingen GmbH · Headquarters Mulfingen

Amtsgericht (court of registration) Stuttgart · HRB 590142



Nominal data

Type	G2D160-AF02-34				
Motor	M2D068-EC				
Phase		3~	3~	3~	3~
Nominal voltage	VAC	230	230	400	400
Wiring		Δ	Δ	Y	Y
Frequency	Hz	50	60	50	60
Method of obtaining data		ml	ml	ml	ml
Valid for approval/standard		CE	CE	CE	CE
Speed (rpm)	min ⁻¹	2300	2550	2300	2550
Power consumption	W	305	335	305	335
Current draw	A	0.83	0.9	0.48	0.52
Min. back pressure	Pa	0	300	0	300
Min. back pressure	inH ₂ O	0	1.2	0	1.2
Min. ambient temperature	°C	-25	-25	-25	-25
Max. ambient temperature	°C	50	40	50	40
Starting current	A	1.75	1.65	1.0	0.95

ml = Max. load · me = Max. efficiency · fa = Free air · cs = Customer specification · ce = Customer equipment
Subject to change

Data according to ErP Directive

	Actual	Req. 2015				
01 Overall efficiency η_{es}	%	34	32.5	09 Power consumption P_e	kW	0.15
02 Measurement category		A		09 Air flow q_v	m ³ /h	390
03 Efficiency category		Static		09 Pressure increase p_{fs}	Pa	501
04 Efficiency grade N		45.5	44	10 Speed (rpm) n	min ⁻¹	2685
05 Variable speed drive		No		11 Specific ratio*		1.01

Data obtained at optimum efficiency level.

The ErP data is determined using a motor-impeller combination in a standardized measurement setup.

* Specific ratio = $1 + p_{fs} / 100\,000\text{ Pa}$

LU-39223



AC centrifugal fan

forward-curved, single-intake
with housing (flange)

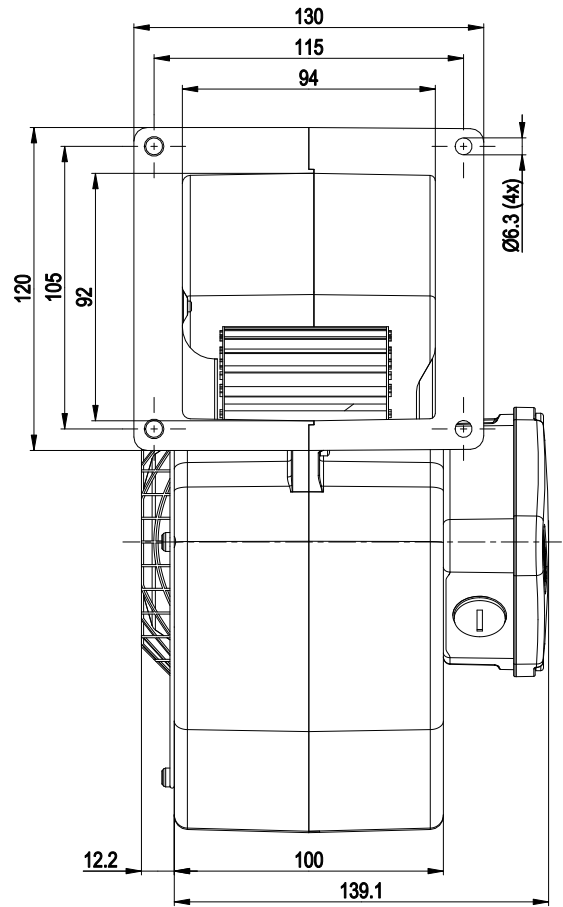
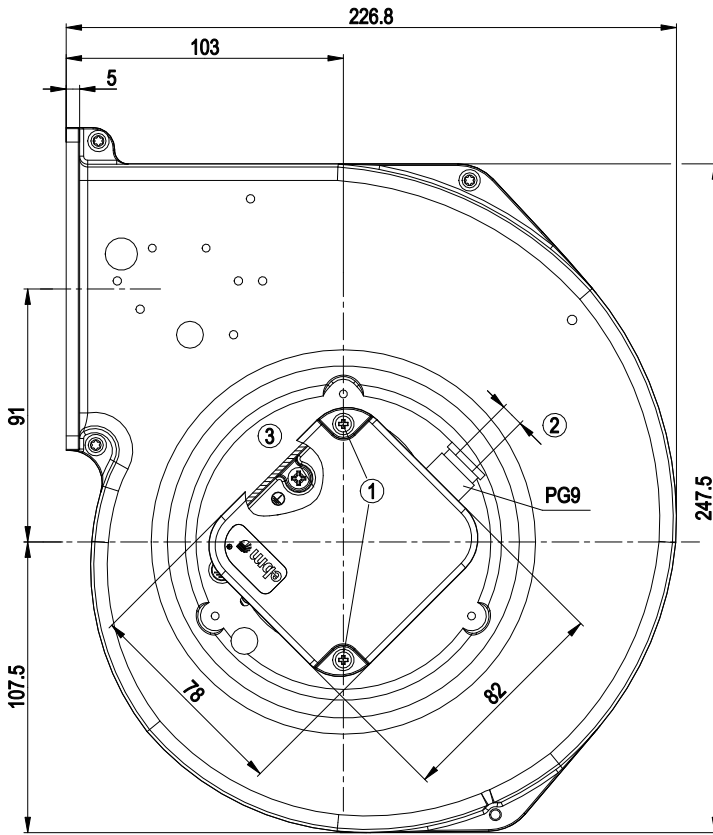
Technical description

Weight	4.4 kg
Fan size	160 mm
Rotor surface	Painted black
Terminal box material	Die-cast aluminum
Impeller material	Sheet steel, painted black
Housing material	Die-cast aluminum
Direction of rotation	Clockwise, viewed toward rotor
Degree of protection	IP44; installation- and position-dependent as per EN 60034-5
Insulation class	"B"
Moisture (F) / Environmental (H) protection class	F2-2
Max. permitted ambient temp. for motor (transport/storage)	+ 80 °C
Min. permitted ambient temp. for motor (transport/storage)	- 40 °C
Installation position	Shaft horizontal or rotor on bottom; rotor on top on request
Condensation drainage holes	On rotor side
Mode	S1
Motor bearing	Ball bearing
Touch current according to IEC 60990 (measuring circuit Fig. 4, TN system)	< 0.75 mA
Electrical hookup	Via terminal box
With cable	Axial
Protection class	I (if protective earth is connected by customer to the housing's connection point)
Conformity with standards	EN 60335-1, motor does not have factory-installed overheating protection; CE
Approval	CSA C22.2 No. 100; UL 1004-1

AC centrifugal fan

forward-curved, single-intake
with housing (flange)

Product drawing

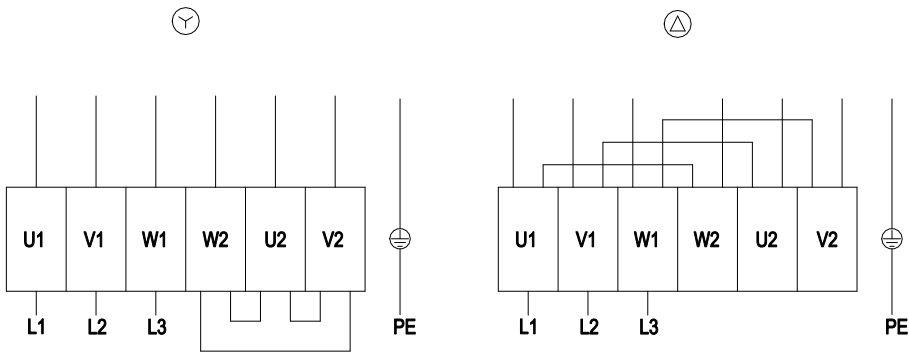


1	Tightening torque 1.3 ± 0.2 Nm
2	Cable diameter min. 6 mm, max. 8 mm, tightening torque 2 ± 0.3 Nm
3	M4 screw for fastening ground connector

AC centrifugal fan

forward-curved, single-intake
with housing (flange)

Connection diagram



Change of rotation direction by reversing two phases

Y	Star connection	Δ	Delta connection	L1	= U1 = black
L2	= V1 = blue	L3	= W1 = brown	W2	yellow
U2	green	V2	white		

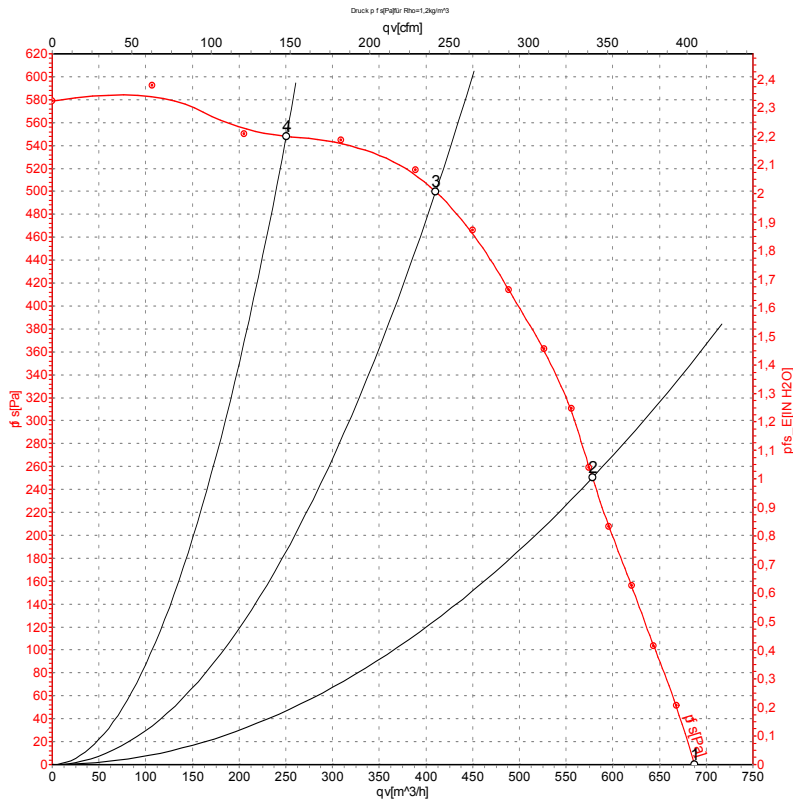


AC centrifugal fan

forward-curved, single-intake

with housing (flange)

Curves: Air performance 50 Hz



Measurement: LU-39223-1

Air performance measured according to ISO 5801 installation category A. For detailed information on the measurement setup, contact ebm-papst. Intake sound level: Sound power level according to ISO 13347 / sound pressure level measured at 1 m distance from fan axis. The values given are valid under the specified measuring conditions and may vary due to conditions of installation. For deviations from the standard configuration, the parameters have to be checked on the installed unit.

Measured values

	U	f	n	P _e	I	qv	p _{fs}	qv	p _{fs}
	V	Hz	min ⁻¹	W	A	m ³ /h	Pa	CFM	inH ₂ O
1	400	50	2300	305	0.48	690	0	405	0.00
2	400	50	2470	242	0.39	580	250	340	1.00
3	400	50	2665	168	0.29	410	500	240	2.01
4	400	50	2790	114	0.23	250	548	145	2.20

U = Power supply · f = Frequency · n = Speed (rpm) · P_e = Power consumption · I = Current draw · qv = Air flow · p_{fs} = Pressure increase

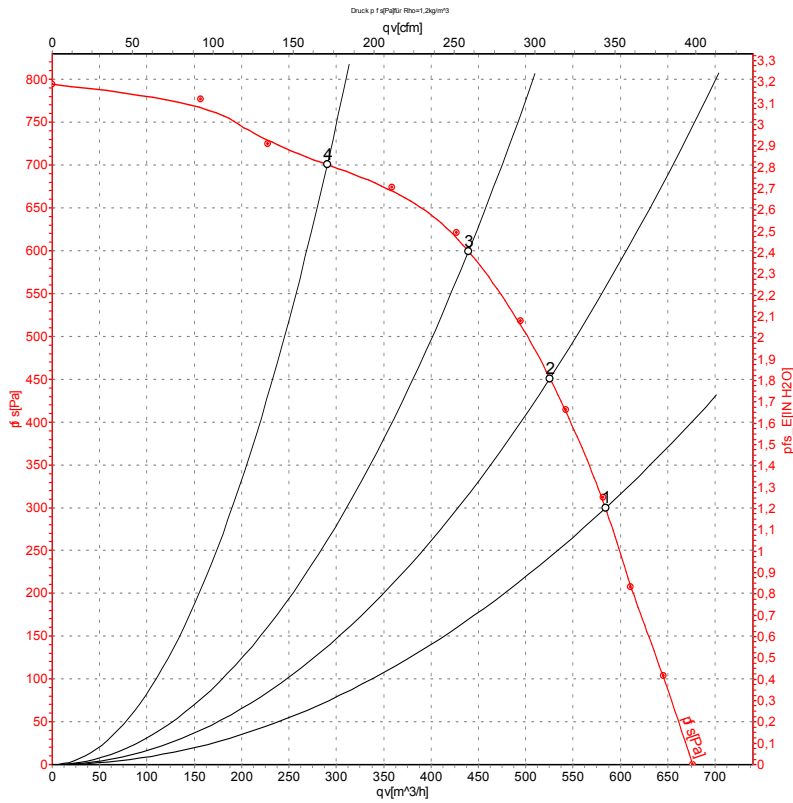


AC centrifugal fan

forward-curved, single-intake

with housing (flange)

Curves: Air performance 60 Hz



Measurement: LU-39224-1

Air performance measured according to ISO 5801 installation category A. For detailed information on the measurement setup, contact ebm-papst. Intake sound level: Sound power level according to ISO 13347 / sound pressure level measured at 1 m distance from fan axis. The values given are valid under the specified measuring conditions and may vary due to conditions of installation. For deviations from the standard configuration, the parameters have to be checked on the installed unit.

Measured values

	U	f	n	P _e	I	qv	p _{fs}	qv	p _{fs}
	V	Hz	min ⁻¹	W	A	m ³ /h	Pa	CFM	inH ₂ O
1	400	60	2550	335	0.52	585	300	345	1.20
2	400	60	2720	296	0.46	525	450	310	1.81
3	400	60	2905	247	0.39	440	600	260	2.41
4	400	60	3145	176	0.29	290	700	170	2.81

U = Power supply · f = Frequency · n = Speed (rpm) · P_e = Power consumption · I = Current draw · qv = Air flow · p_{fs} = Pressure increase

