

G1G126-AA49-74

EC centrifugal fan with housing (small flange)

single inlet

gas blower for gas-condensing heating



ebm-papst Mulfingen GmbH & Co. KG

Bachmühle 2

74673 Mulfingen

Phone: +49 7938 81-0

Fax: +49 7938 81-110

www.fansco.com

sales@fansco.com

Nominal data

Type	G1G126-AA49-74	
Motor	M1G055-BD	
Phase		1~
Nominal voltage	[VAC]	230
Frequency	[Hz]	50/60
Type of data definition		rfa
Speed	[min ⁻¹]	5000
Power input	[W]	75
Current draw	[A]	-
Max. ambient temperature	[°C]	70
Air flow	[m ³ /h]	-
Back pressure	[Pa]	-

ml = max. load · me = max. efficiency · rfa = running at free air · cs = customer specs · cu = customer unit
Subject to alterations

G1G126-AA49-74

EC centrifugal fan with housing (small flange)

single inlet

gas blower for gas-condensing heating

Technical features

Leakage current	<= 3,5 mA
Size	126 mm
Electrical leads	As per customer specification; With plug
Direction of rotation	Clockwise, seen on rotor
Insulation class	"B"
Bearing-motor	Ball bearing
Mass	1.4 kg
Material of electronics housing	PP30TV plastic
Housing material	Aluminum
Material of impeller	PA plastic 6
Motor protection	Reverse polarity and locked-rotor protection
Type of protection	IP 20
Premix	If gas is premixed in the blower, a special blower must be used. Contact us for details.

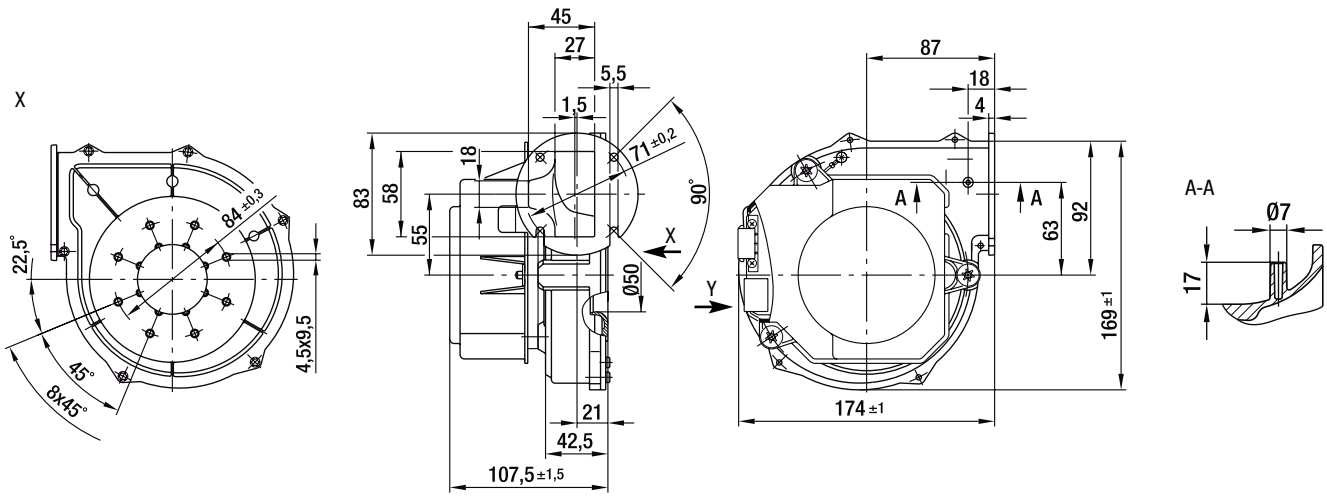
G1G126-AA49-74

EC centrifugal fan with housing (small flange)

single inlet

gas blower for gas-condensing heating

Product drawing

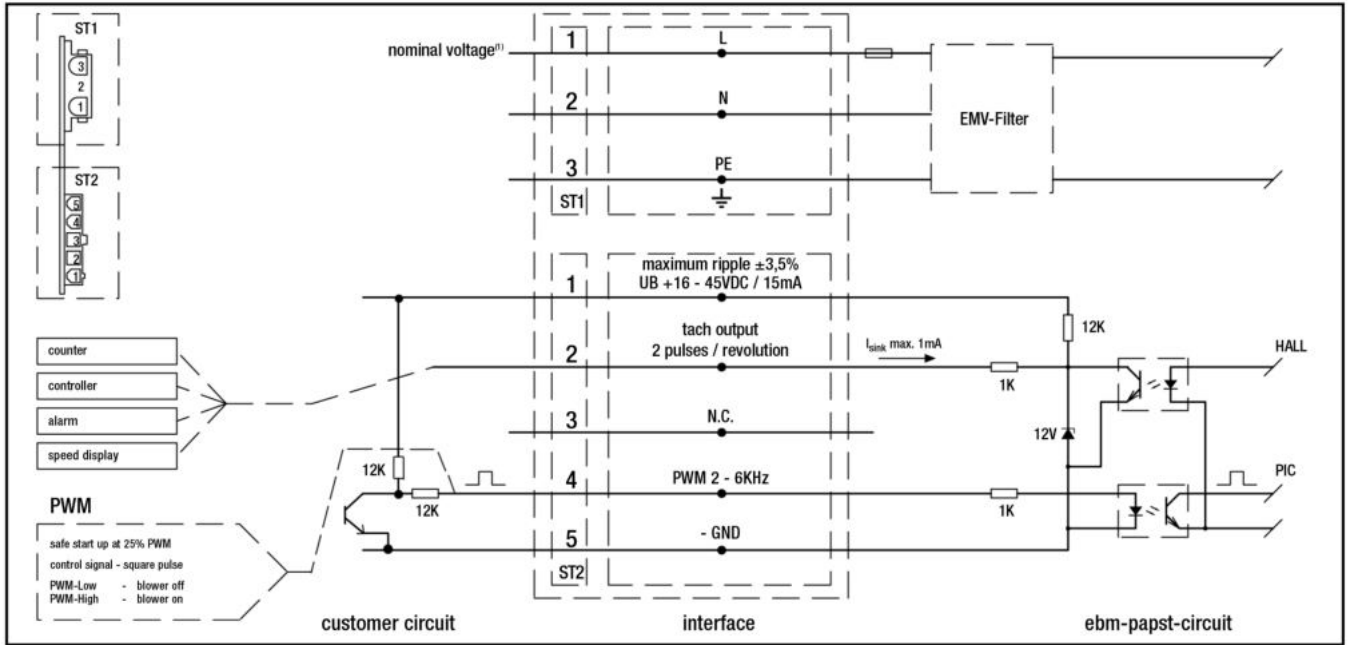


EC centrifugal fan with housing (small flange)

single inlet

gas blower for gas-condensing heating

Connection screen



EC centrifugal fan with housing (small flange)

single inlet

gas blower for gas-condensing heating

Charts: Air flow

