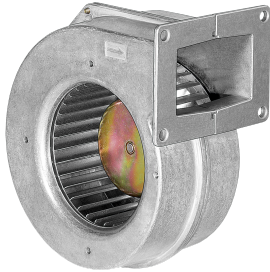


G1G120-AB67-02

EC centrifugal fan with housing (small flange)

forward curved, single inlet



ebm-papst Mulfingen GmbH & Co. KG

Bachmühle 2

74673 Mulfingen

Phone: +49 7938 81-0

Fax: +49 7938 81-110

www.fansco.com

sales@fansco.com

Nominal data

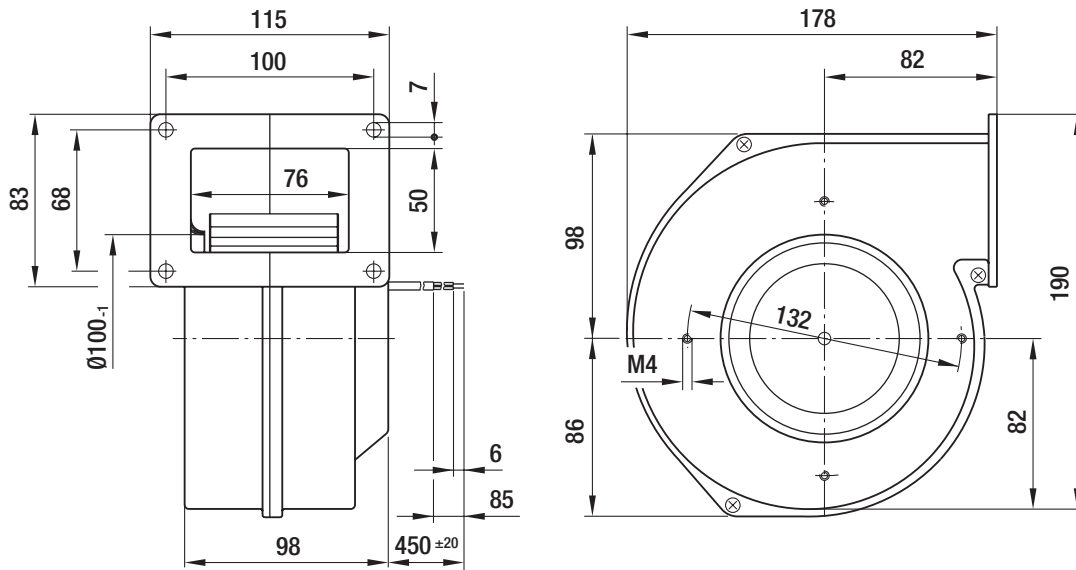
Type	G1G120-AB67-02	
Motor	M1G055-BD	
Nominal voltage	[VDC]	24
Nominal voltage range	[VDC]	16 .. 28
Type of data definition		rfa
Speed	[min ⁻¹]	2200
Power input	[W]	40
Current draw	[A]	1.9
Max. ambient temperature	[°C]	60
Air flow	[m ³ /h]	250
Back pressure	[Pa]	0
Sound pressure level	[dB(A)]	61.3

ml = max. load · me = max. efficiency · rfa = running at free air · cs = customer specs · cu = customer unit
Subject to alterations

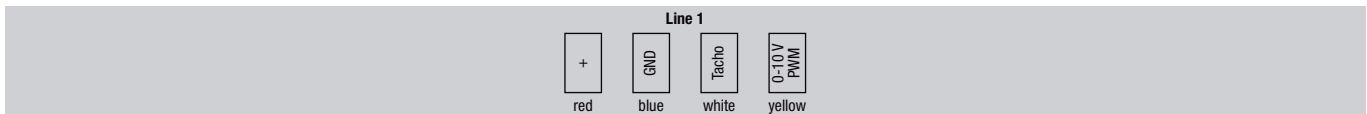
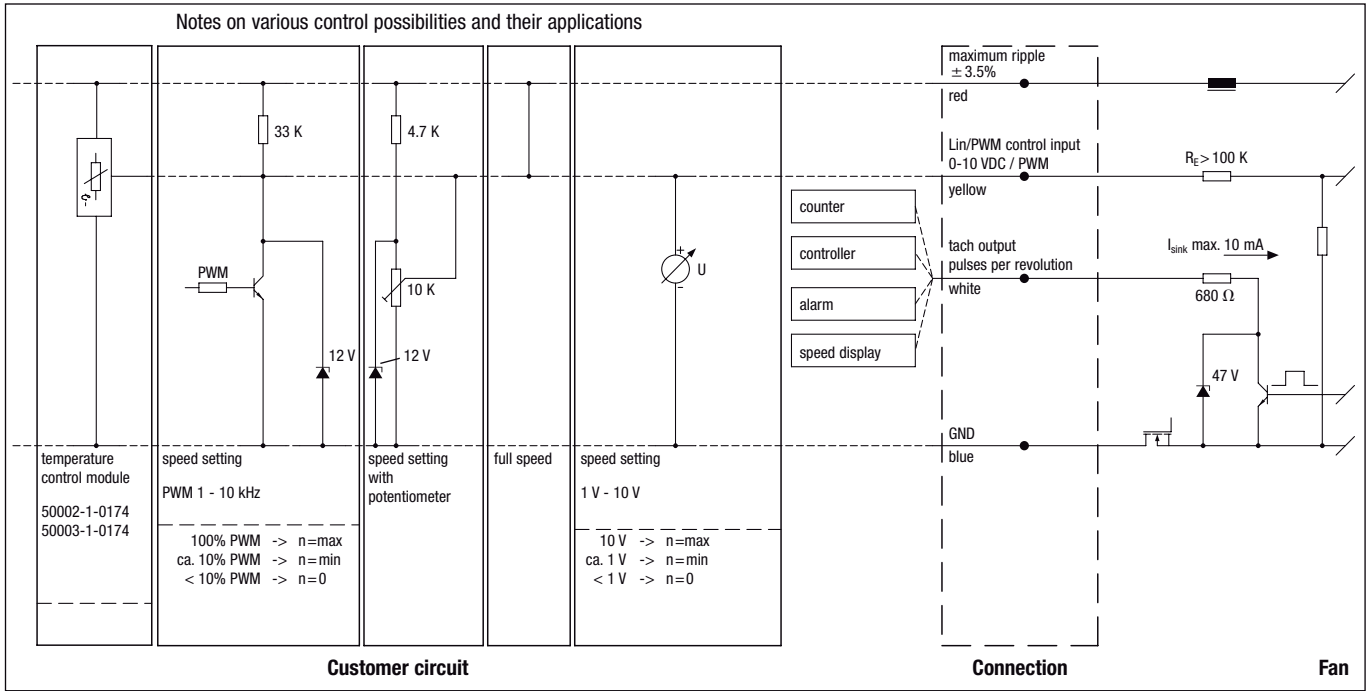
Technical features

Leakage current	<= 0,25 mA
General description	Integrated electronics
Size	120 mm
Operation mode	Continuous operation (S1)
Mounting position	Mounting position: Any; condensate discharge holes: none
Direction of rotation	Clockwise, seen on rotor
Insulation class	"B"
Cable exit	Axial
Bearing-motor	Ball bearing
Mass	1.6 kg
Material of electronics housing	Rotor: Galvanized
Material of impeller	Hot-dip galvanized sheet steel
Motor protection	Reverse polarity and locked-rotor protection
Type of protection	IP 22
Protection class	I
Technical features	Control input 0-10 VDC / PWM, tach output, polarity and locked rotor protection
Approval	CSA C22.2 Nr.77; UL 1004

Product drawing

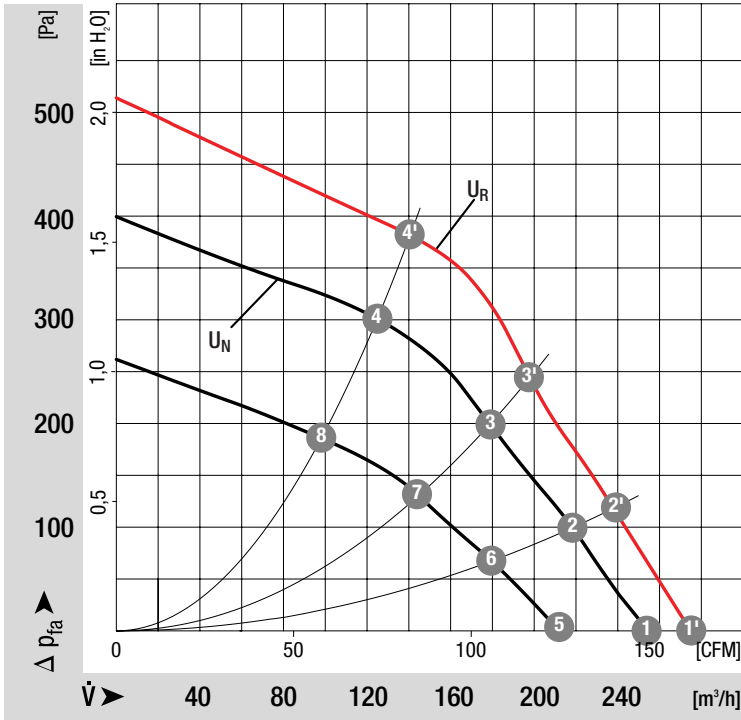


Connection screen



Line	Signal	Colour	Assignment / function	Line	Signal	Colour	Assignment / function
1	+	red	maximum ripple $\pm 3.5\%$	1	Tacho	white	Tach output: pulses per revolution
	GND	blue	GND		0-10 V / PWM	yellow	Control input

Charts: Air flow



	n	P ₁	η_{TL}
	[min ⁻¹]	[W]	[%]
1'	2410	50	
2'	2620	47	58
3'	2870	44	60
4'	3200	36	55
1	2200	40	
2	2410	36	59
3	2600	32	62
4	2880	25	55
5	1870	24	
6	1990	21	58
7	2100	18	61
8	2310	14	54