

**ebm-papst St. Georgen GmbH & Co. KG**

Hermann-Papst-Str. 1

D-78112 St. Georgen

Phone +49 (0) 7724 81-0

Fax +49 (0) 7724 81-1309

sales@fansco.com

www.fansco.com

Nominal data

Type	DV 6424 TDA	
Nominal voltage	VDC	24
Nominal voltage range	VDC	16 .. 28
Speed (rpm)	min ⁻¹	5500
Power consumption	W	91.0
Min. ambient temperature	°C	-20
Max. ambient temperature	°C	60
Air flow	m ³ /h	680
Sound power level	B	7.9
Sound pressure level	dB(A)	71

ml = Max. load · me = Max. efficiency · fa = Free air · cs = Customer specification · ce = Customer equipment
Subject to change

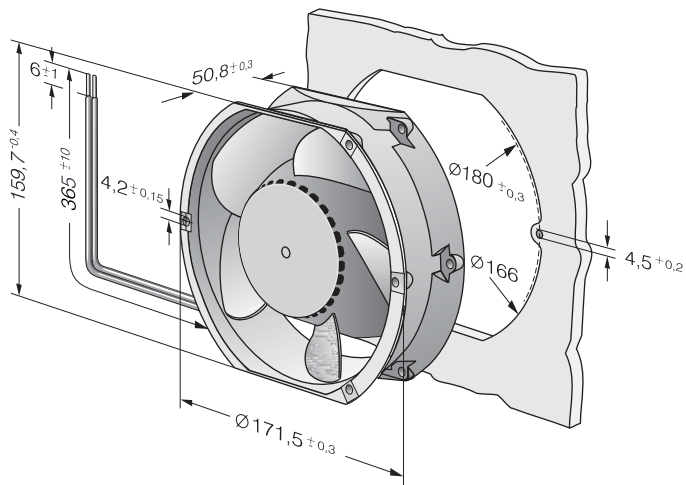


Technical description

General description	3-phase fan drive with very smooth operation and high efficiency Housing with grounding lug for M4 x 8 screw (Torx) Power consumption when wide open; these values may be considerably higher at the operating point.
Weight	0.820 kg
Dimensions	172 x 160 x 51 mm
Impeller material	Glass-fiber reinforced PA plastic
Housing material	Die-cast aluminum
Airflow direction	Exhaust over struts
Direction of rotation	Counterclockwise, viewed toward rotor. Direction of rotation reversible.
Storage	Ball bearing
Service life L10 at 40 °C	65000 h
Service life L10 at maximum temperature	40000 h
Cable	With leads AWG 22, TR 64
Motor protection	Protection against reverse polarity and blocked rotor.
Approval	VDE, CSA, UL, CE
Option	Control inputs and alarm and speed signal.



Product drawing



Curves: Air performance

