

DV 6424

# DC diagonal compact fan

sickle-shaped blades (S series)



## ebm-papst St. Georgen GmbH & Co. KG

Hermann-Papst-Str. 1

D-78112 St. Georgen

Phone +49 (0) 7724 81-0

Fax +49 (0) 7724 81-1309

sales@fansco.com

www.fansco.com

## Nominal data

| Type                     | DV 6424           |          |
|--------------------------|-------------------|----------|
| Nominal voltage          | VDC               | 24       |
| Nominal voltage range    | VDC               | 16 .. 28 |
| Speed (rpm)              | min <sup>-1</sup> | 4300     |
| Power consumption        | W                 | 40.0     |
| Min. ambient temperature | °C                | -20      |
| Max. ambient temperature | °C                | 75       |
| Air flow                 | m <sup>3</sup> /h | 530      |
| Sound power level        | B                 | 7.3      |
| Sound pressure level     | dB(A)             | 65       |

ml = Max. load · me = Max. efficiency · fa = Free air · cs = Customer specification · ce = Customer equipment  
Subject to change

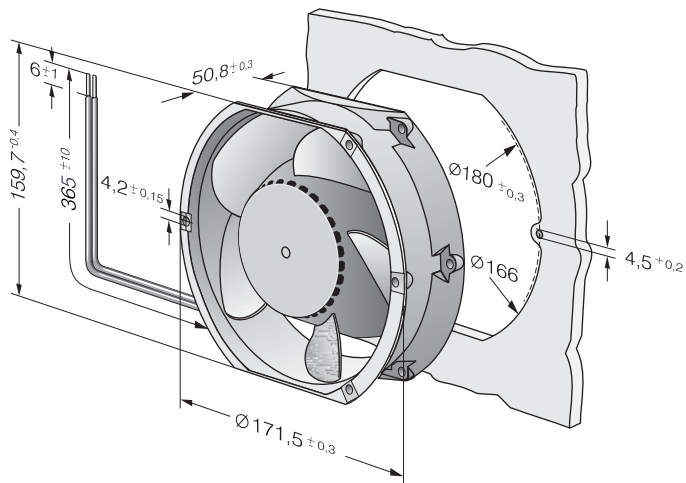


## Technical description

|  |   |
|--|---|
| <b>General description</b>                     | Housing with grounding lug for M4 x 8 screw (Torx)  |
| <b>Weight</b>                                  | 0.820 kg  |
| <b>Dimensions</b>                              | 172 x 160 x 51 mm   |
| <b>Impeller material</b>                       | Glass-fiber reinforced PA plastic   |
| <b>Housing material</b>                        | Die-cast aluminum   |
| <b>Airflow direction</b>                       | Exhaust over struts   |
| <b>Direction of rotation</b>                   | Counterclockwise, viewed toward rotor   |
| <b>Storage</b>                                 | Ball bearing  |
| <b>Service life L10 at 40 °C</b>               | 90000 h   |
| <b>Service life L10 at maximum temperature</b> | 35000 h   |
| <b>Cable</b>                                   | With leads AWG 22, TR 64  |
| <b>Motor protection</b>                        | Protection against reverse polarity and blocked rotor.  |
| <b>Locked-rotor protection</b>                 | Electronic locked-rotor protection, with electronic motor current limitation during startup and when rotor is locked. |
| <b>Approval</b>                                | VDE, CSA, UL, CE  |
| <b>Option</b>                                  | Speed signal  |



## Product drawing



**Curves: Air performance**

